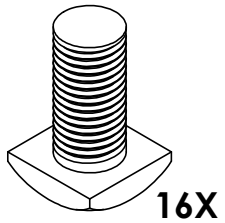


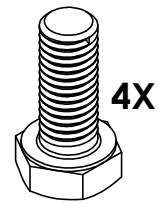
8 7 6 5 4 3 2 1

F
E
D
C
B
A

M10x20

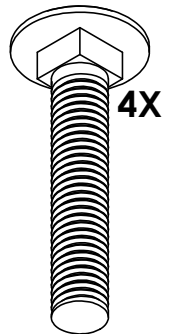


16X



M8x25

4X



M8x45

4X

Porca M10



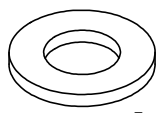
16X

Porca M8



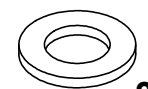
4X

Anilha M10



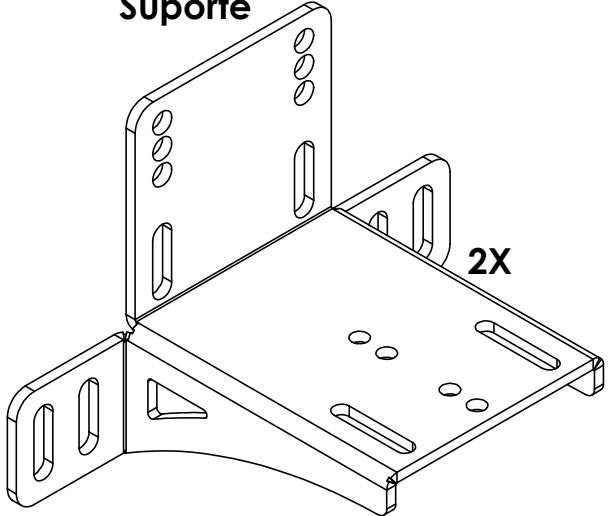
16X

Anilha M8

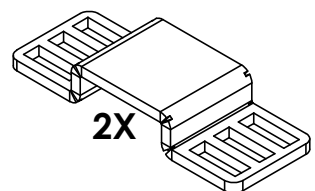


8X

Suporte

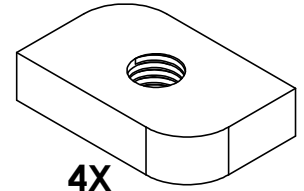


2X



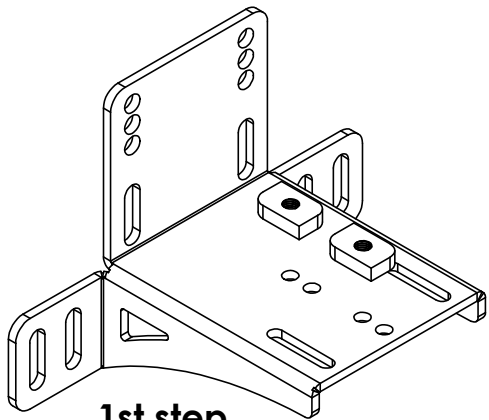
2X

Anilha retangular M8

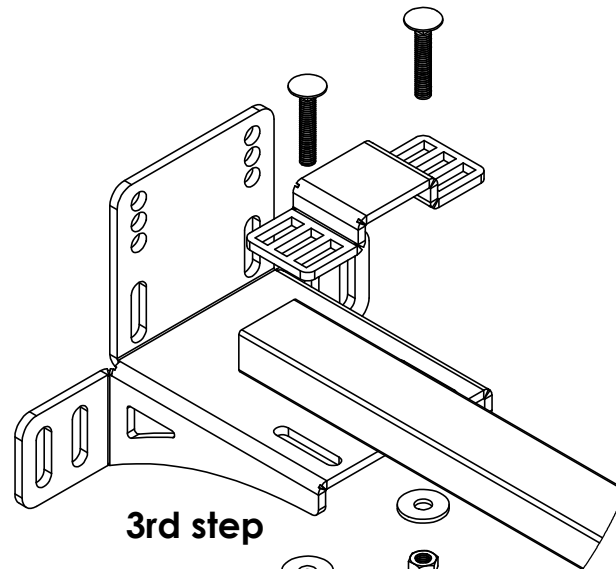
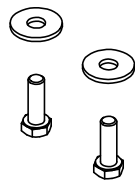


4X

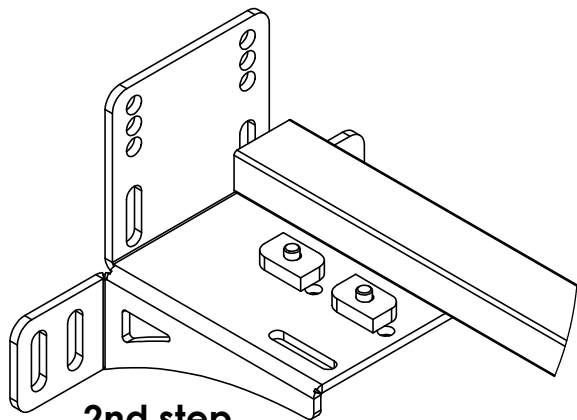
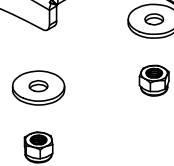
8 7 6 5 4 3 2 1



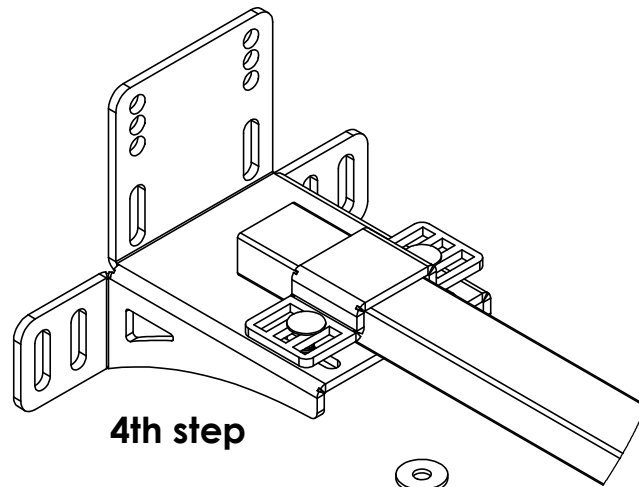
1st step



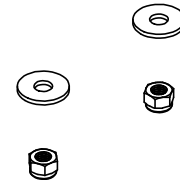
3rd step

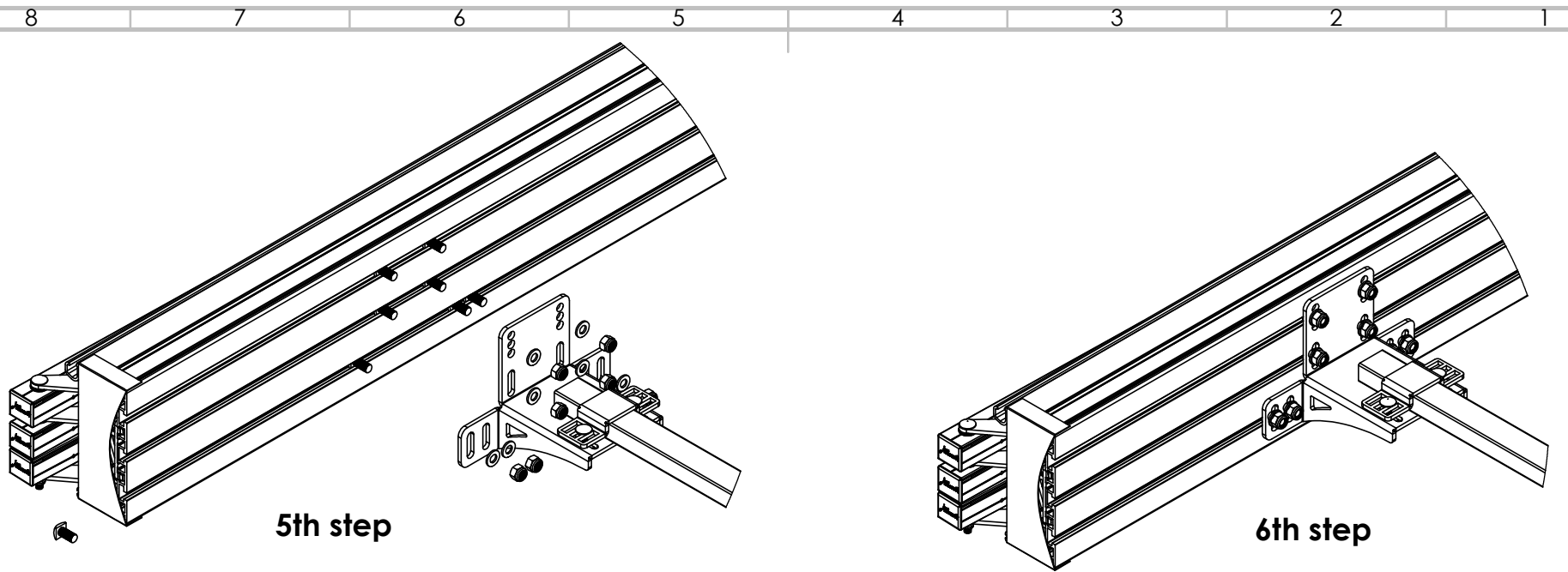


2nd step



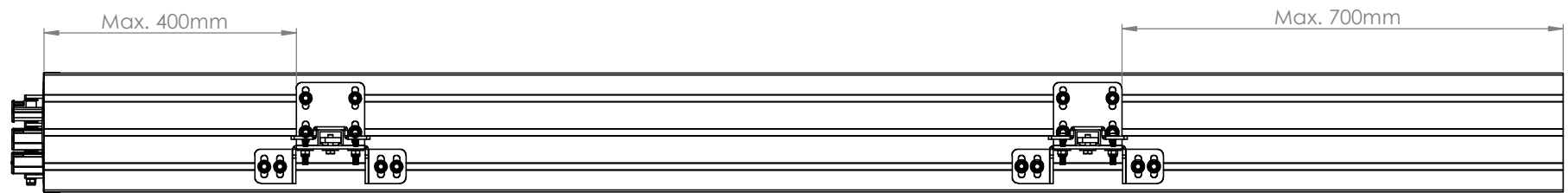
4th step





5th step

6th step



Rear of the car

Front of car