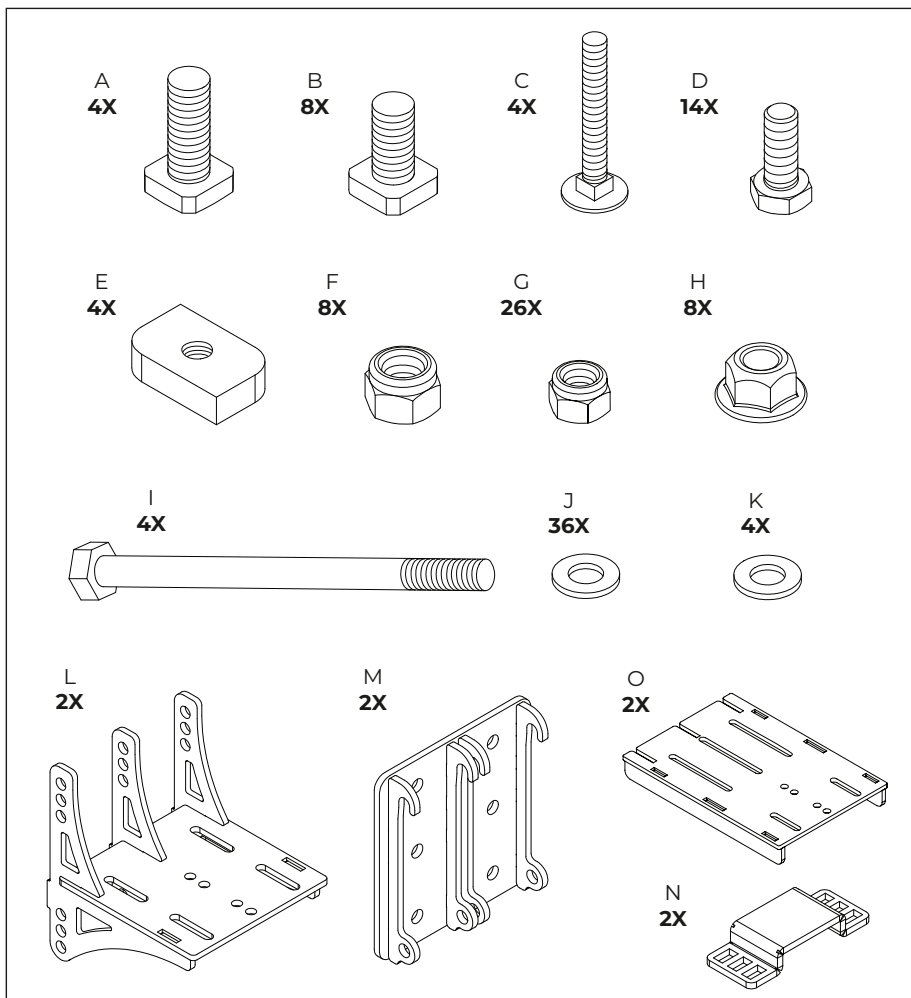


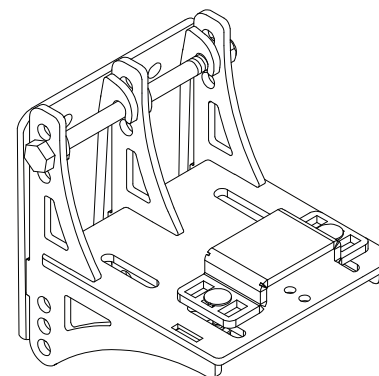
COMPONENTS



 **JAMES BAROUD**

EN INSTALLATION GUIDE

- FR Guide d'installation
- DE Installationsanleitung
- ES Guía de instalación
- PT Guia de instalação



READ MORE ON

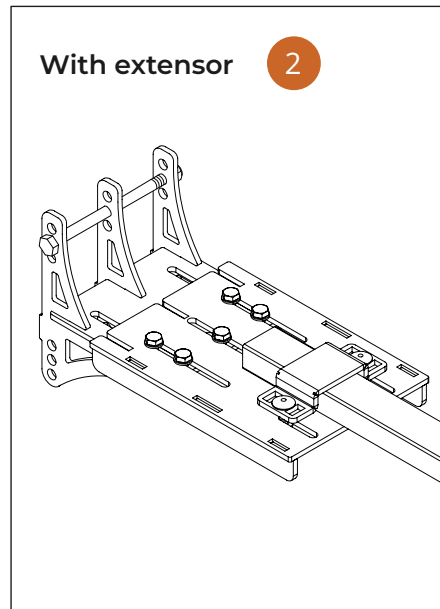
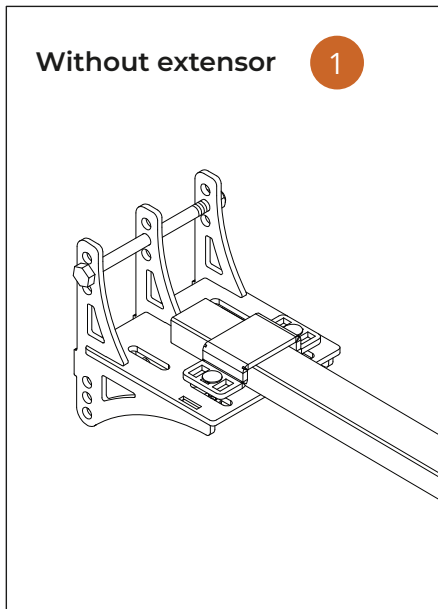
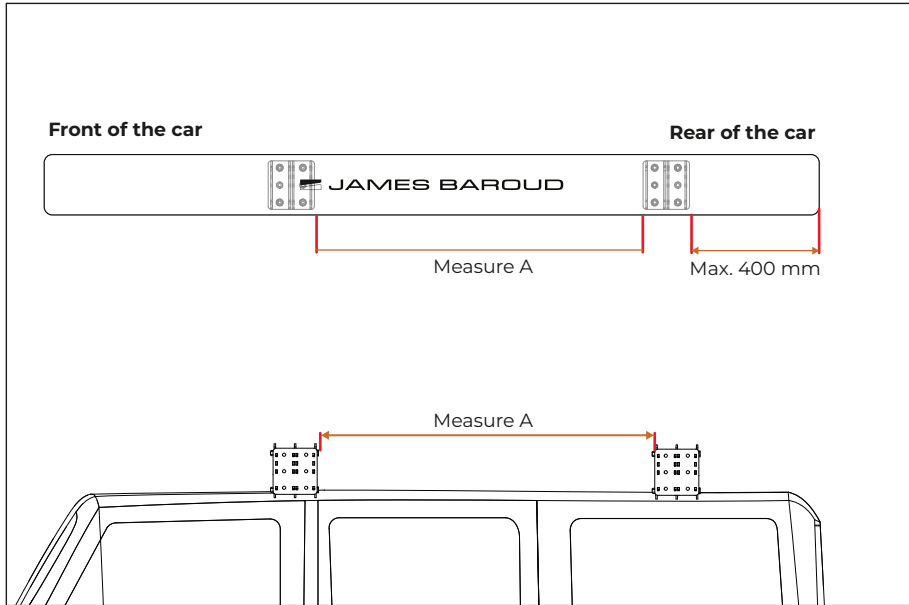
jamesbaroud.com

[@jamesbaroudofficial](https://twitter.com/jamesbaroudofficial)

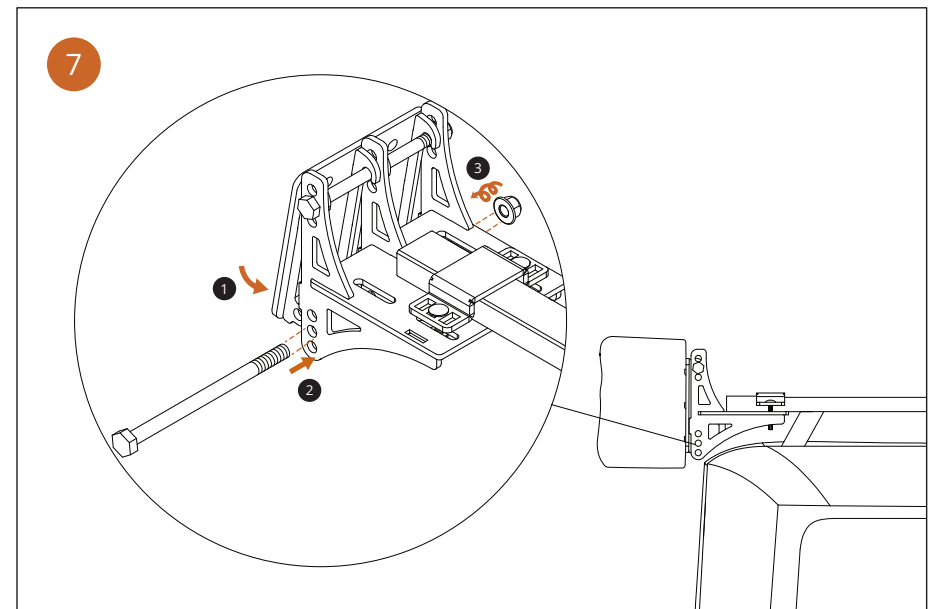
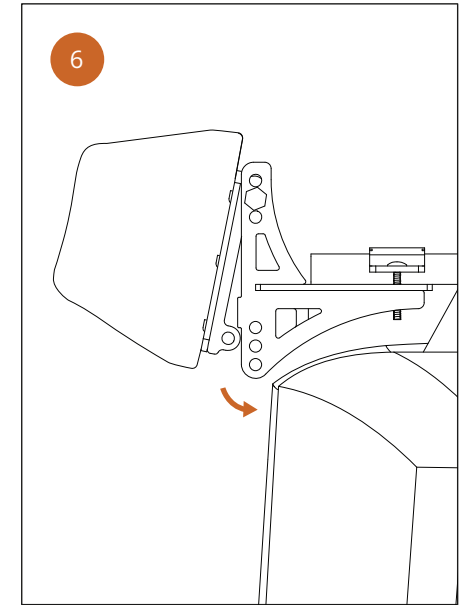
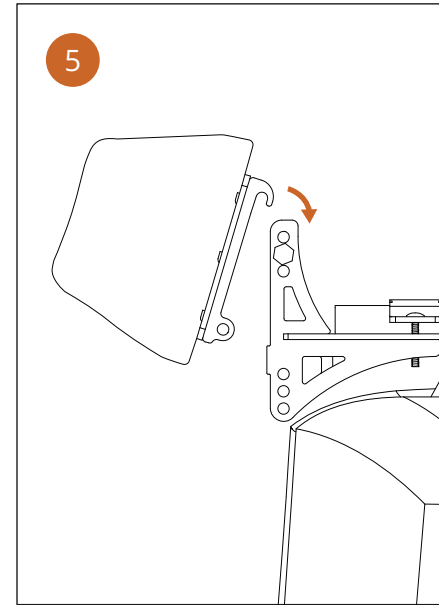


Falcon Awning 270°

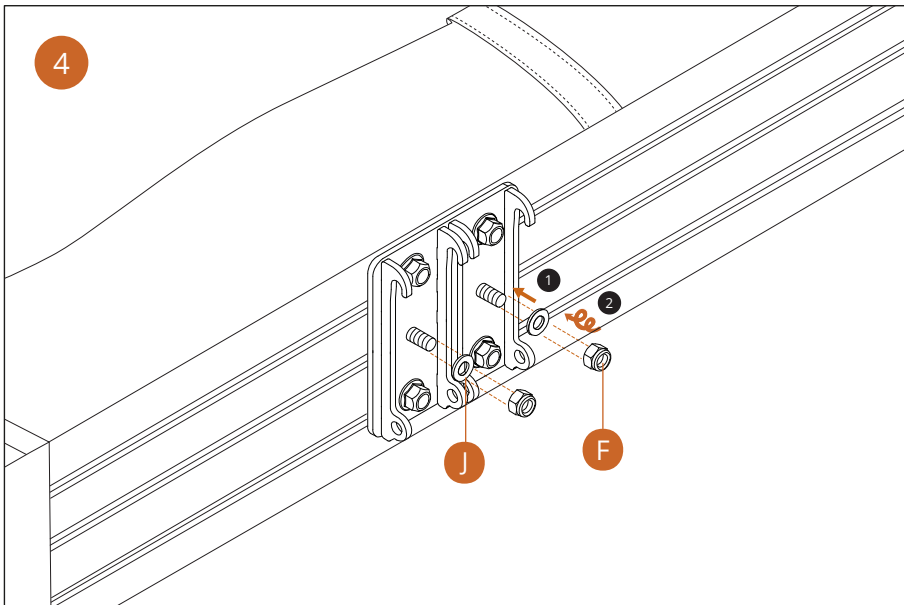
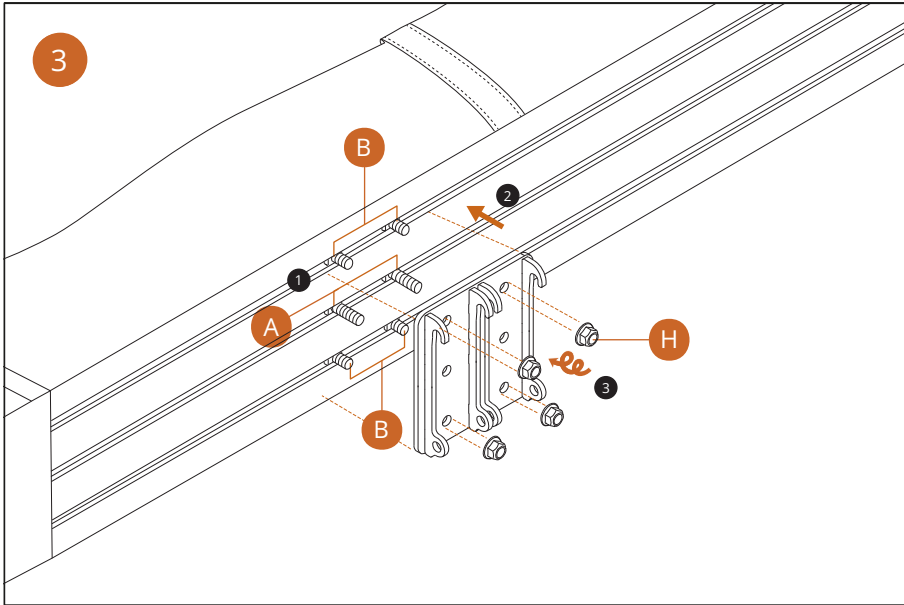
ASSEMBLY



ASSEMBLY

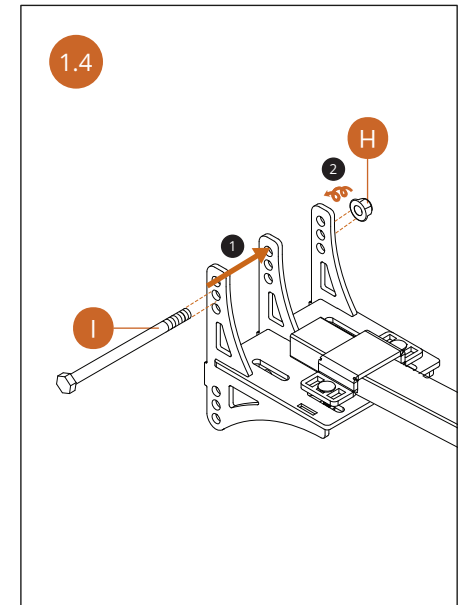
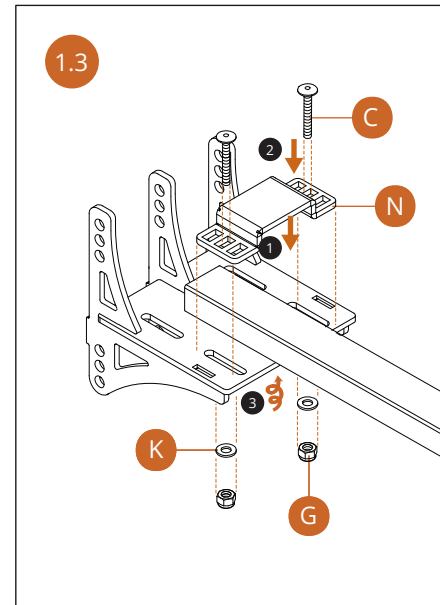
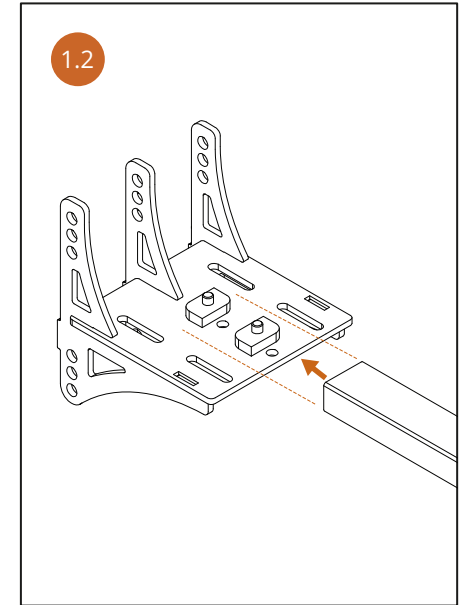
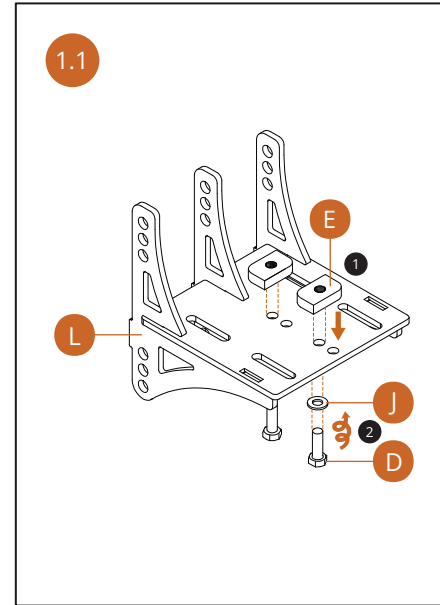


ASSEMBLY



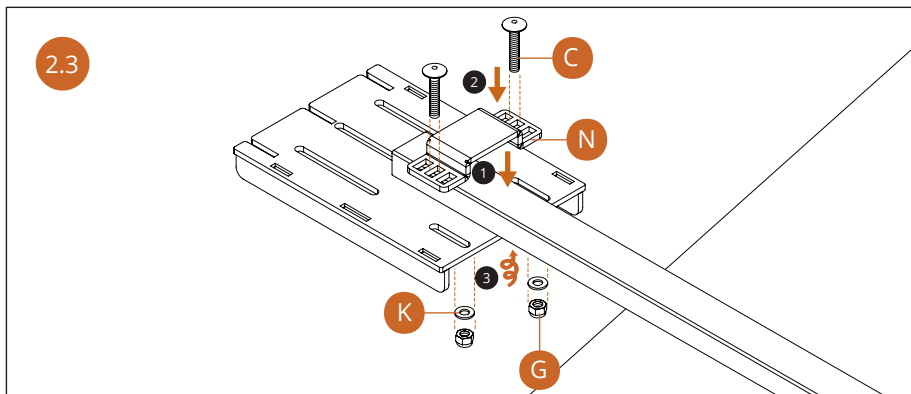
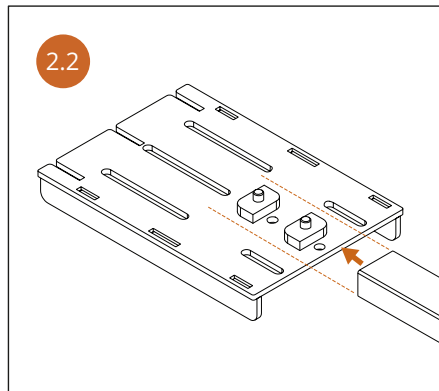
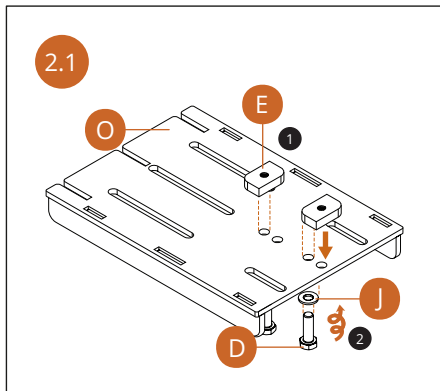
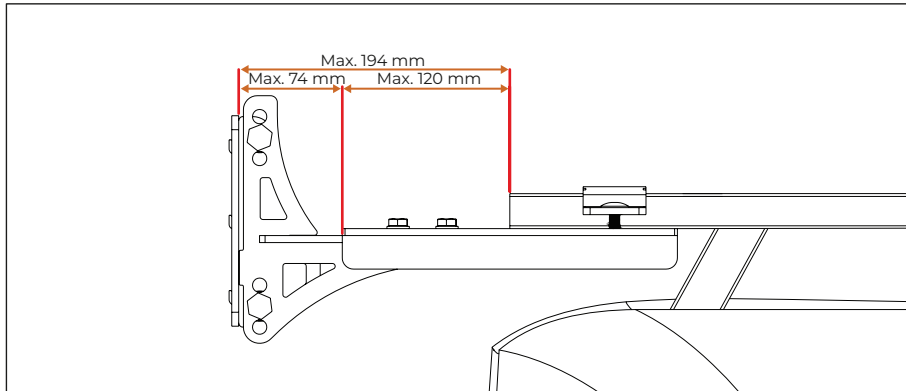
5

ASSEMBLY WITHOUT EXTENSOR



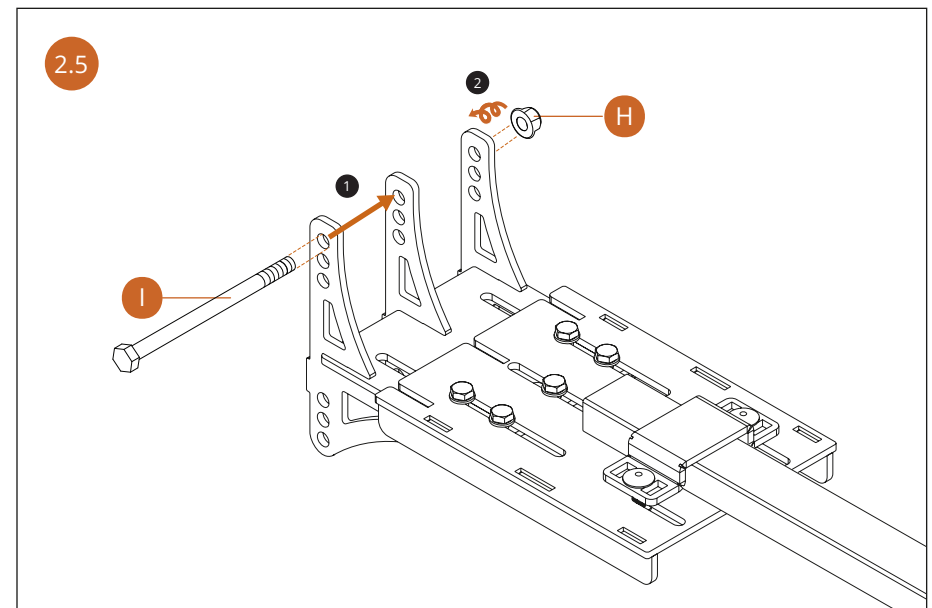
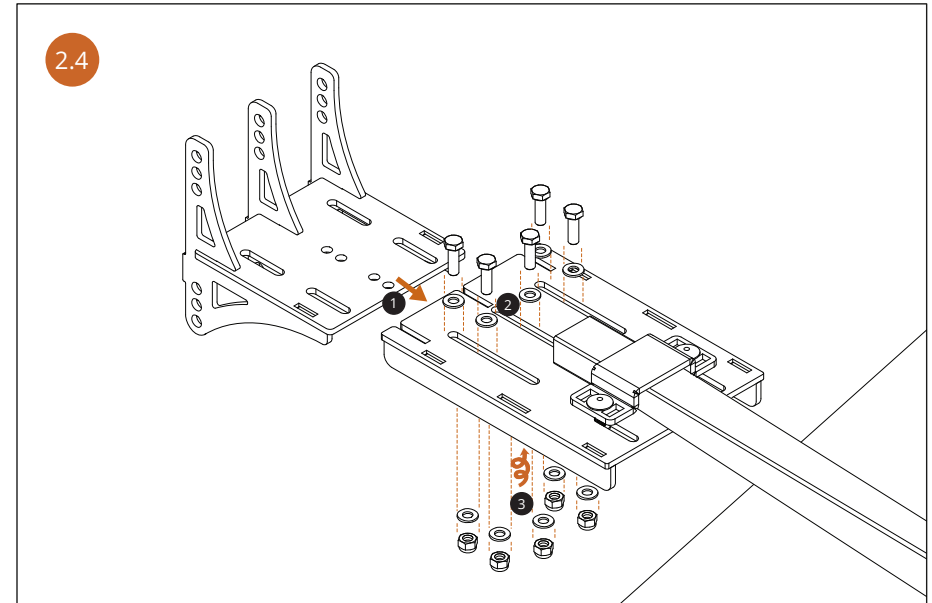
2

ASSEMBLY WITH EXTENSOR



3

ASSEMBLY WITH EXTENSOR



4