



A ED0052 17mm Hex Head/ torque wrench	B ED0056	C ED0054 17mm Hex Head/ torque wrench	D ED0508	E ED0308 NOTE	J ED0055 RHS + LHS CABLE
F 8442LT	G ED0059 10mm Spanner	K			H 001649

NOTE
TOP OF CABLES thin Part E inserted on either side of RHS + LHS cable
Note: direction of Ferrell bend - slides 7 + 9

NOTE
BOTTOM OF CABLES thin Part E inserted on either side of RHS + LHS cable
Note: direction of Ferrell bend - slide 11

L 452231

L ED0051

EZDown Instruction

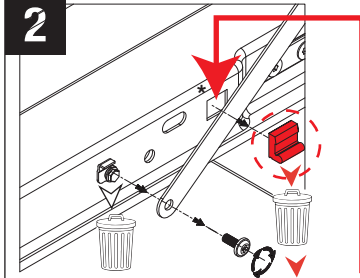
HILUX EZDown – ED0050

1
RHS and LHS are determined when sitting in the Drivers side of the Vehicle.

NB: Remove rubber grommets as shown slides 2 - 4 and discard

NB: Locktite all fixing/mounting points where applicable.

After full fitment remove labels from the cable.

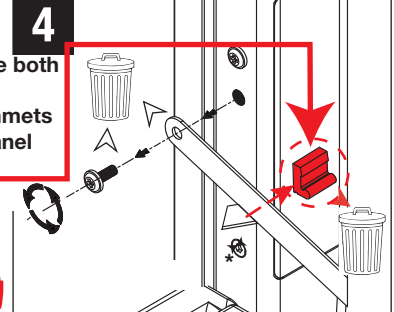


NB: Remove both LHS & RHS rubber grommets from tailgate as shown

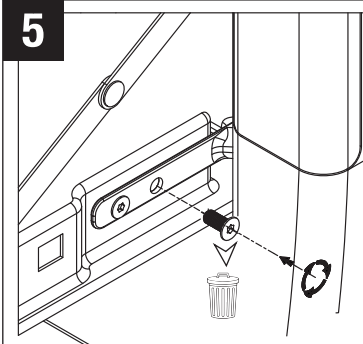
Tooling
Phillips head screw driver No 3



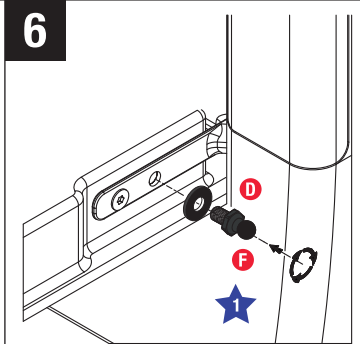
NB: Remove both LHS & RHS rubber grommets from side panel as shown



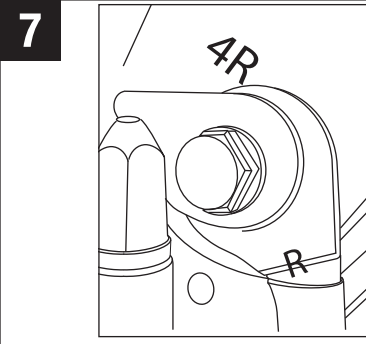
Tooling: Phillips head screw driver No 3. If OEM Bolt is very tight apply heat to remove e.g Heat Gun



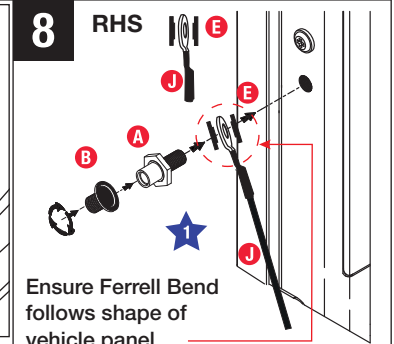
Tooling: Torx Bit T40



13mm Hex head spanner

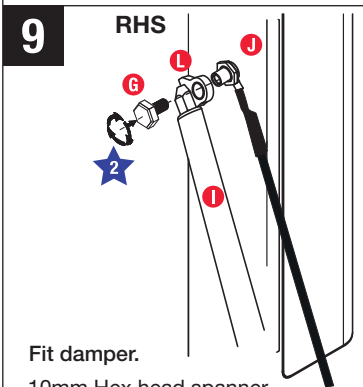


Fit RHS as indicated on cable stickers, then remove stickers.

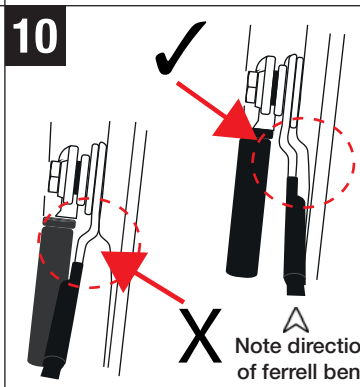


Ensure Ferrell Bend follows shape of vehicle panel.

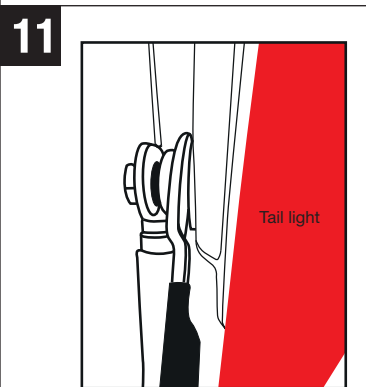
17mm Hex head spanner



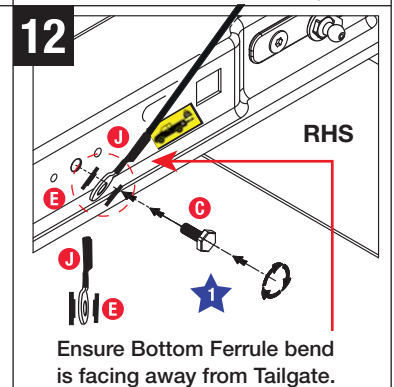
Fit damper.
10mm Hex head spanner



X Note direction of ferrell bend



Tail light

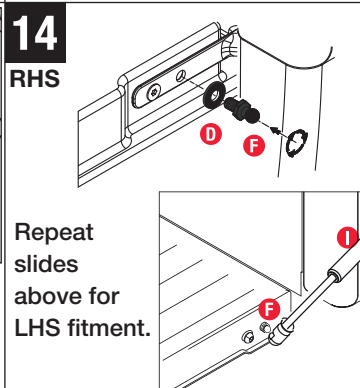


Ensure Bottom Ferrule bend is facing away from Tailgate.

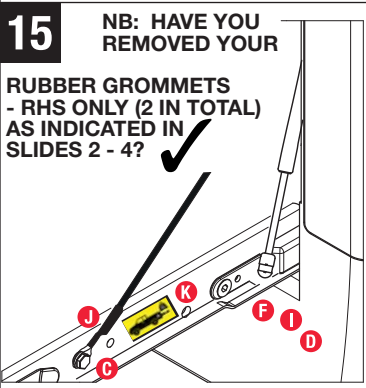
13

If Cable does not align automatically and cable protrudes when bin is closed, place pressure onto Ferrule and press toward vehicle tailgate.

In case cable is too tight against the tailgate slightly pull away from the tailgate and straighten the cable.



Repeat slides above for LHS fitment.



16 Online video installation

FITTING CODE	MANUFACTURER	MODEL TYPE	YEAR	STOCKIST	PRODUCT	REVISION	LABOUR	DATE	PAGE
ED0050	TOYOTA	REVO	2016 onwards	GENERAL USE	EZDOWN	8	25min	12/01/2023	1
TORQUE – N.m	★ 27N.m±2N.m			★ 15N.m±2N.m				www.ezdownshop.co.za	

NB: After installation please close tailgate gently to ensure that there is no interference with any hardware.

IMPORTANT:

No liability will be incurred by Industrial Specialised Applications company, for injury, death, or property damage caused by a product which has been set up, operated, and/or installed contrary to EZDown installation guide/manual, or which has been subjected to misuse, negligence, or accident, or which has been repaired or altered by anyone other than Industrial Specialised Applications, or which has been used in a manner or for a purpose for which the product was not designed.

