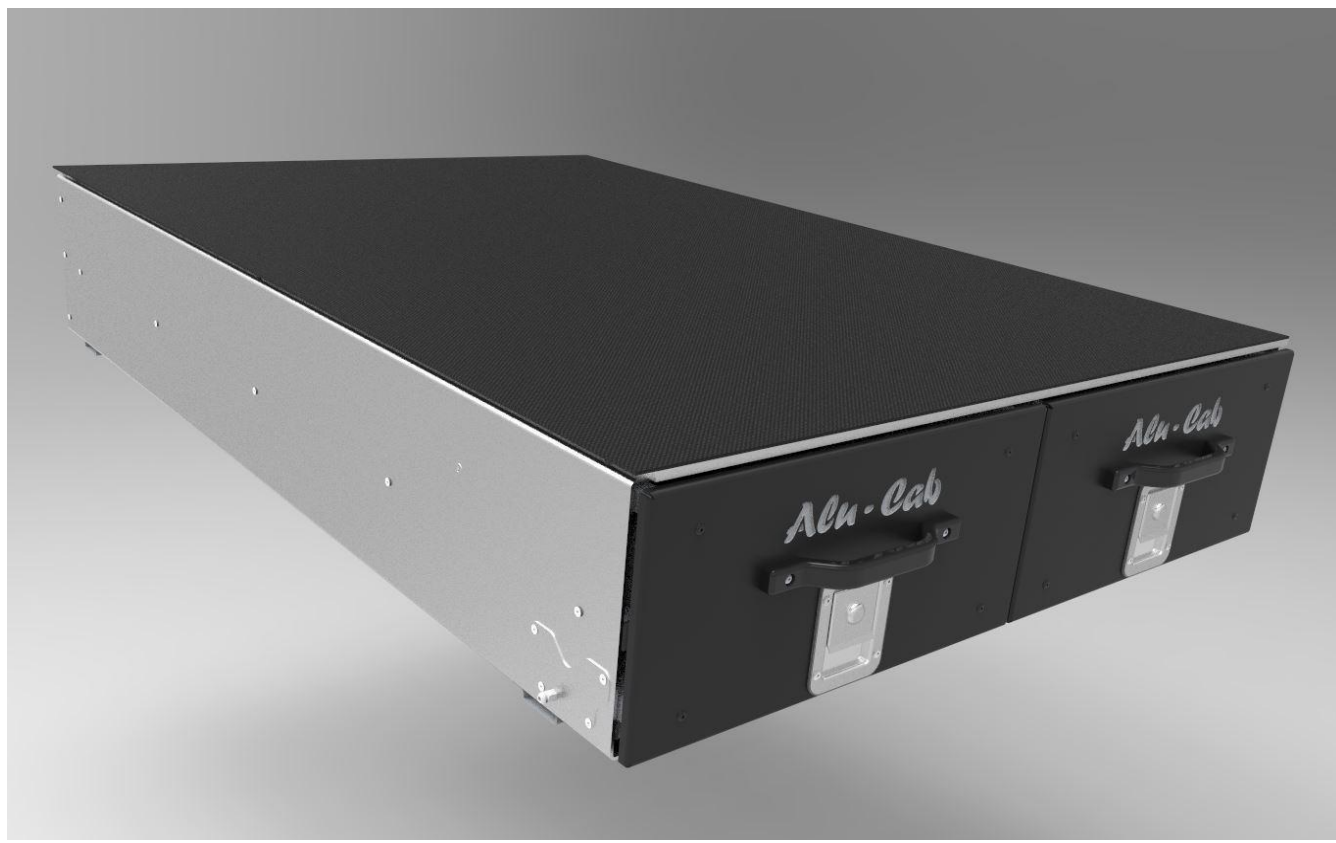


FITMENT INSTRUCTIONS

Alu-Cab™



Drawer system

All rights reserved. No part of this document may be reproduced, translated, stored in a retrieval system, or transmitted, in any form or by any means, electronic, mechanical, photocopying, recording or otherwise, without prior written permission of the owner.

Review all instructions information carefully before installation.

Any damages, direct or incidental to the installer and/or property due to incorrect installation of any parts are the responsibility of the installer. Due to the various applications and fitment options available, the responsibility lies with the user to ensure all mounting points are secure and tight before every trip. If unsure, consult with your Distributor regarding the operations of our products.

Users are advised to be mindful of the load they are carrying and drive in accordance with road conditions.

DISCLAIMER

Alu-Cab

1. Drawer System Fitment - Tools, Fasteners & Materials

The tables below show the equipment, I.e tools, fasteners, hardware and consumables required to complete the fitment of the Alu-Cab Drawer System.

Hardware supplied with the Drawer System Kit:

Parts					
Drawer System					1
M8x40 Hex Head Bolt					4
M8 Nyloc Nut					4
M8 Flat Washer					8

Tools required to fit the Drawer System kit:

Tool	Purpose
Drill	Drilling Holes
8mm Drill Bit	Drilling Holes
13 Spanner and/or Ratchet	Fastening Bolts
Size 4 Allen Key	Fastening Bolts



WARNING

Always wear appropriate PPE (Personal protection equipment) when fitting this product. Although the mounting kit is designed to be DIY, if you have any doubts or concerns, contact an accredited fitment centre to carry out the work. Alu-Cab will not be liable for any injury to persons, and/or damage to products and/or vehicles.

2. Fitting the Drawer System Kit Step 1:

Removing Drawer Tops

The first step in the installation of the Alu-Cab Drawer System is to remove the Drawer Tops from the Drawers. We will need to do this to gain access to the mounting points for the Drawers. The following images will illustrate the Drawer Top removal process:

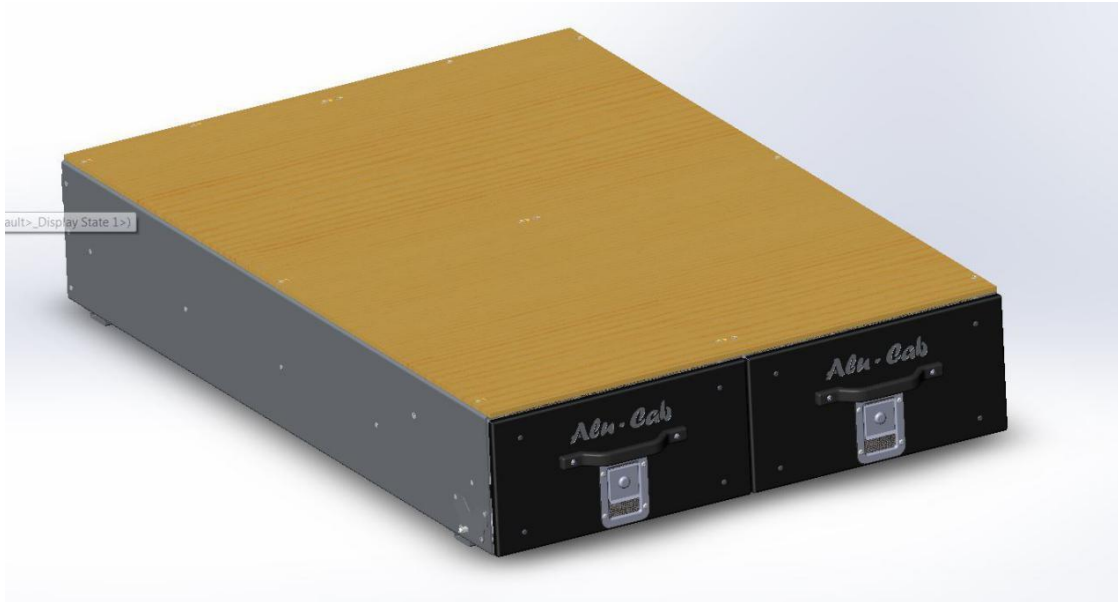


Figure 1: Drawer System

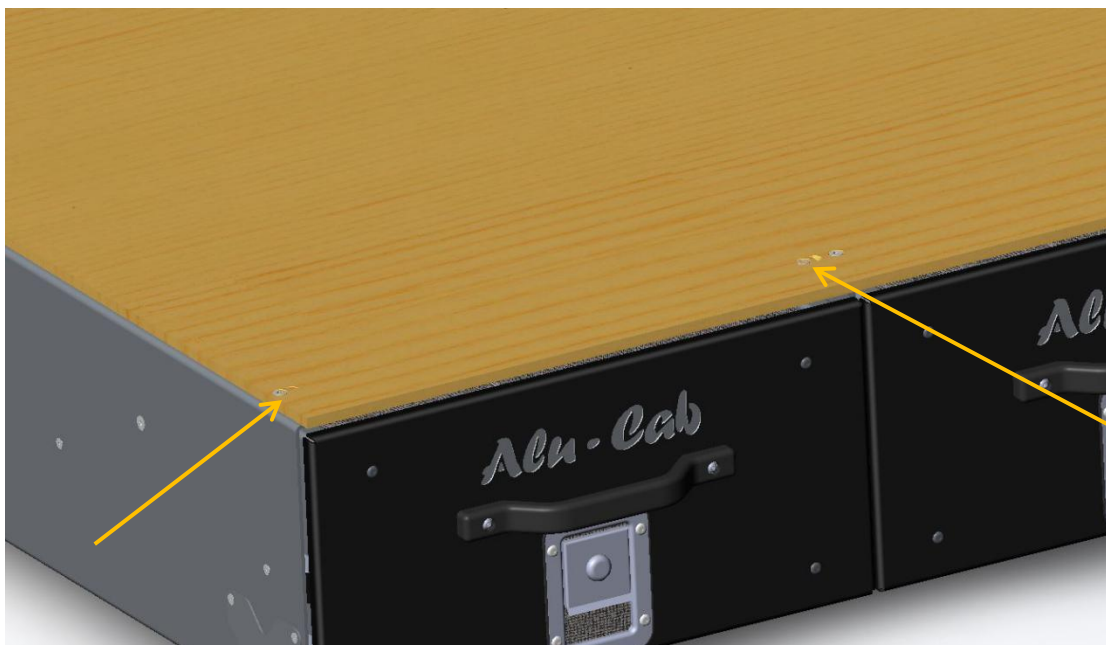


Figure 2: Counter Sunk M6 Bolts that need to be removed using your Size 4 Allen Key



Figure 3: Once all the Bolts are removed you can remove the Drawer Top

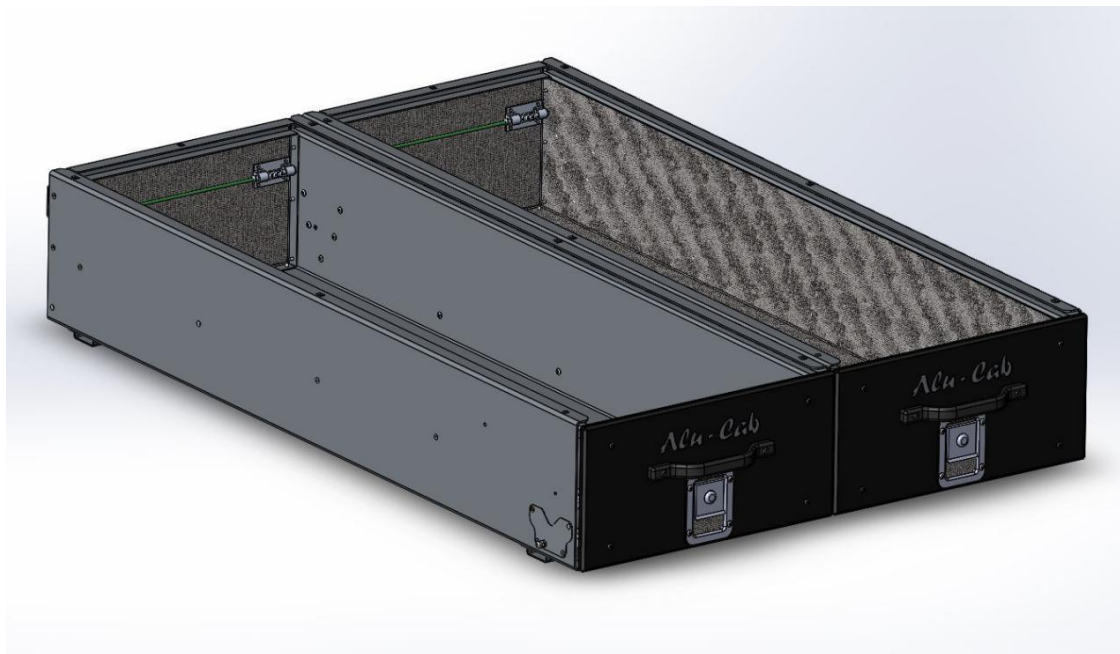


Figure 4: Once all the Bolts are removed you can remove the Drawer Top

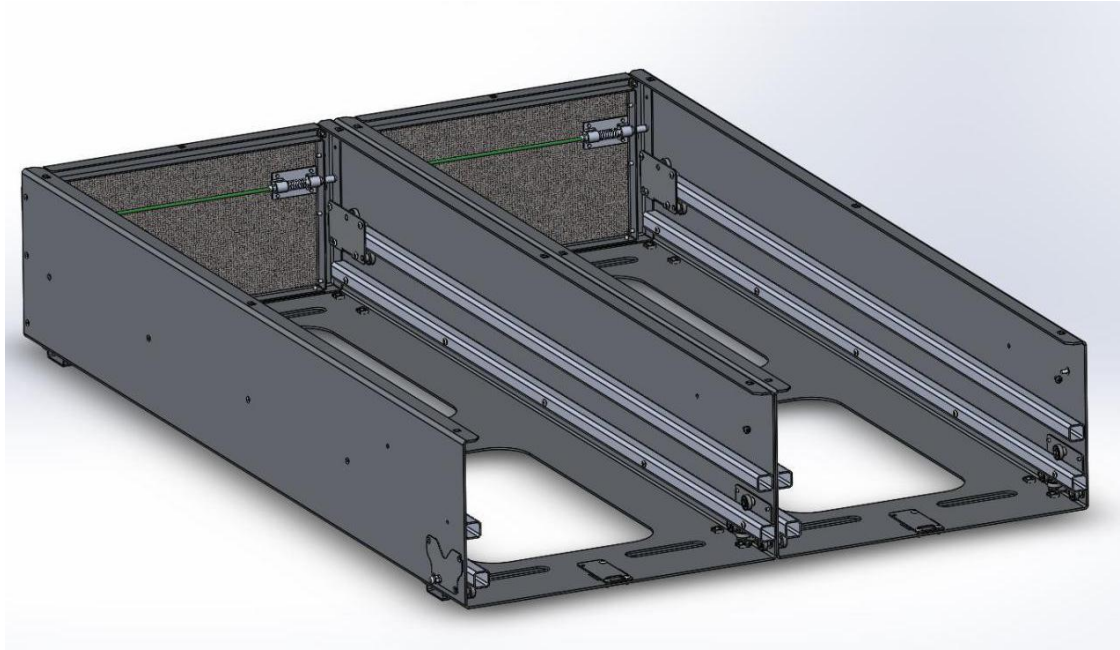


Figure 5: We then need to remove the Drawers to access the Frame

2.1 Centering Drawer with Load Bin

For our next step we need to put our Drawer System Frame onto the Vehicle Load Bin. The crucial part here is to center and square up your Drawer System in the middle of your Load Bin. The following images will illustrate this:

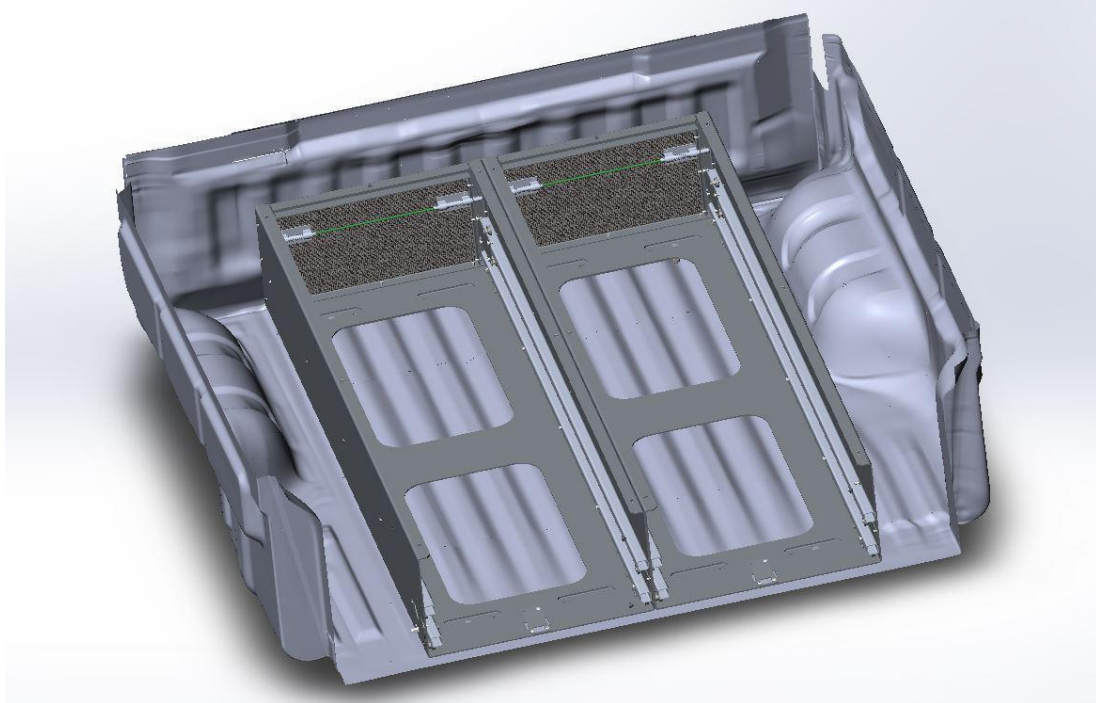


Figure 6: Drawer System Frame on Vehicle Load Bin

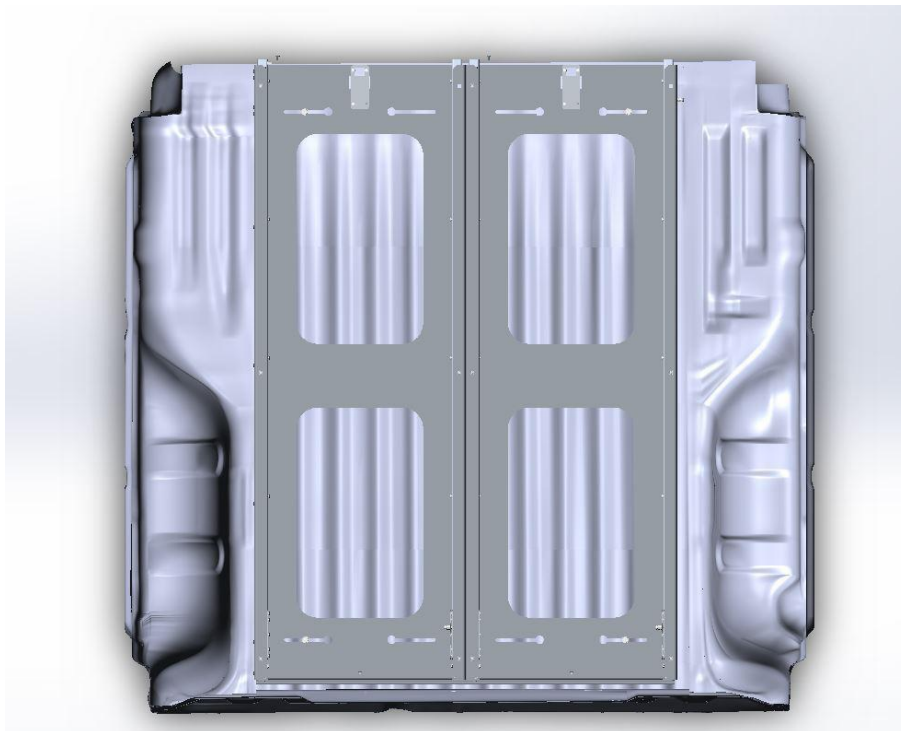


Figure 7: Squaring up and Centering the Drawer System with the Load Bin

Step 3: Drilling Load Bin and Fastening Drawers

Our next step in the installation process is to drill our mounting holes through the Vehicle Load Bin, and fastening the Drawer System to the Load Bin. There are slots in the Drawer System Frame used to fasten down the Drawer System. The following images will show this:

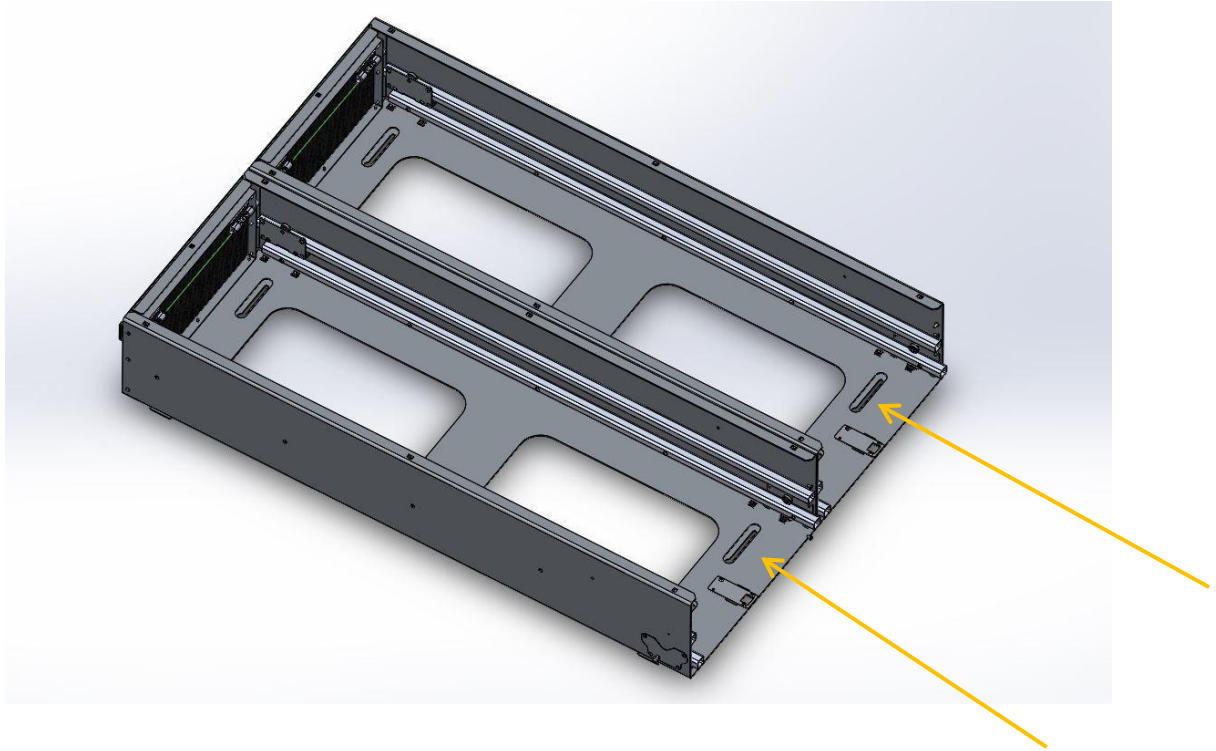


Figure 8: Drawer System Frame Slots

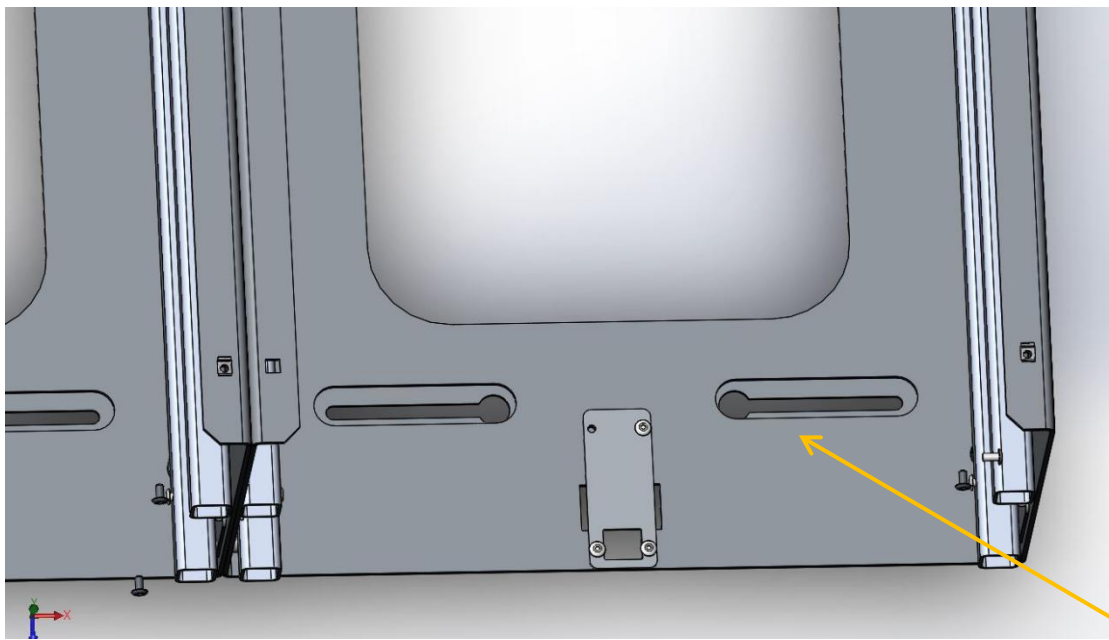


Figure 9: Drawer System Frame Slots where we will drill through and place out Washer and Bolts

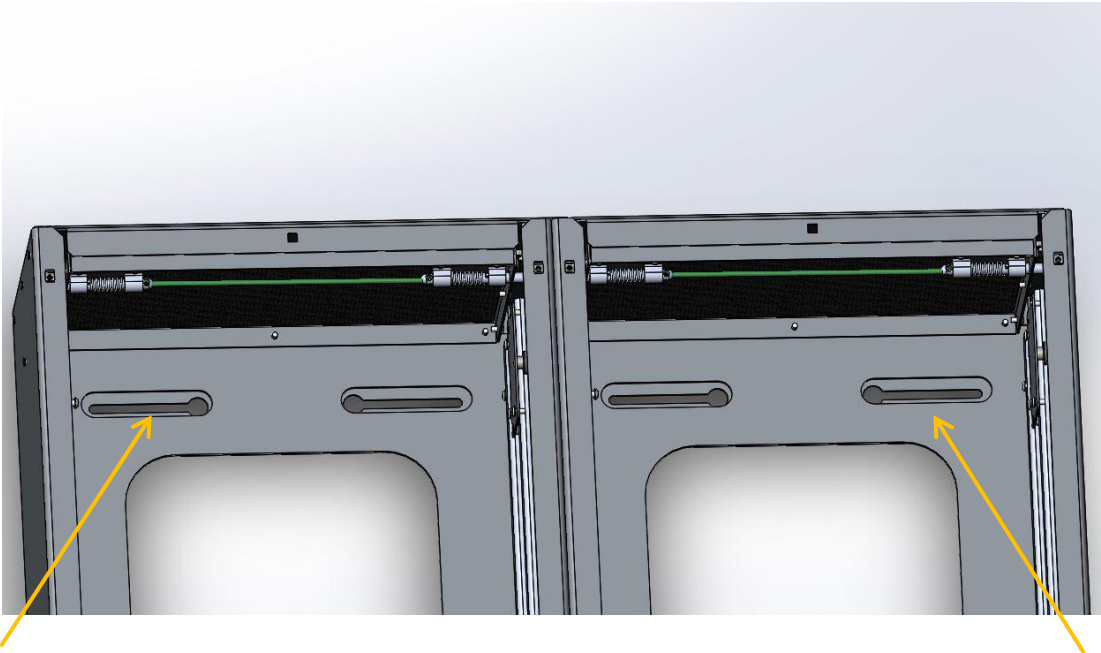


Figure 10: Rear Slots. We Need to drill 8mm holes for our M8x40 Hex Head Bolts to go through the Load Bin, to fasten from the bottom. Within the Slots, find a place that does not interfere with any other Vehicle Components under the Load Bin, and is accessible for you to fasten the Bolts. Drill through the outer most slots found on the Drawer System Frame as shown

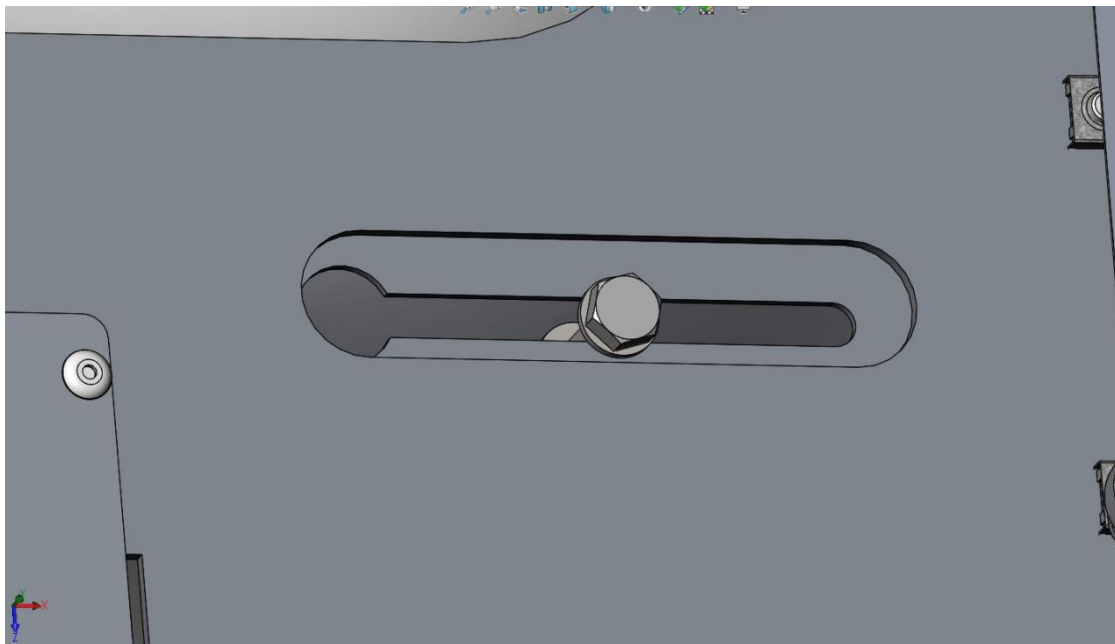


Figure 11: Once we have drilled the 4 holes we can place our Bolts with a Washer through the Frame and holes

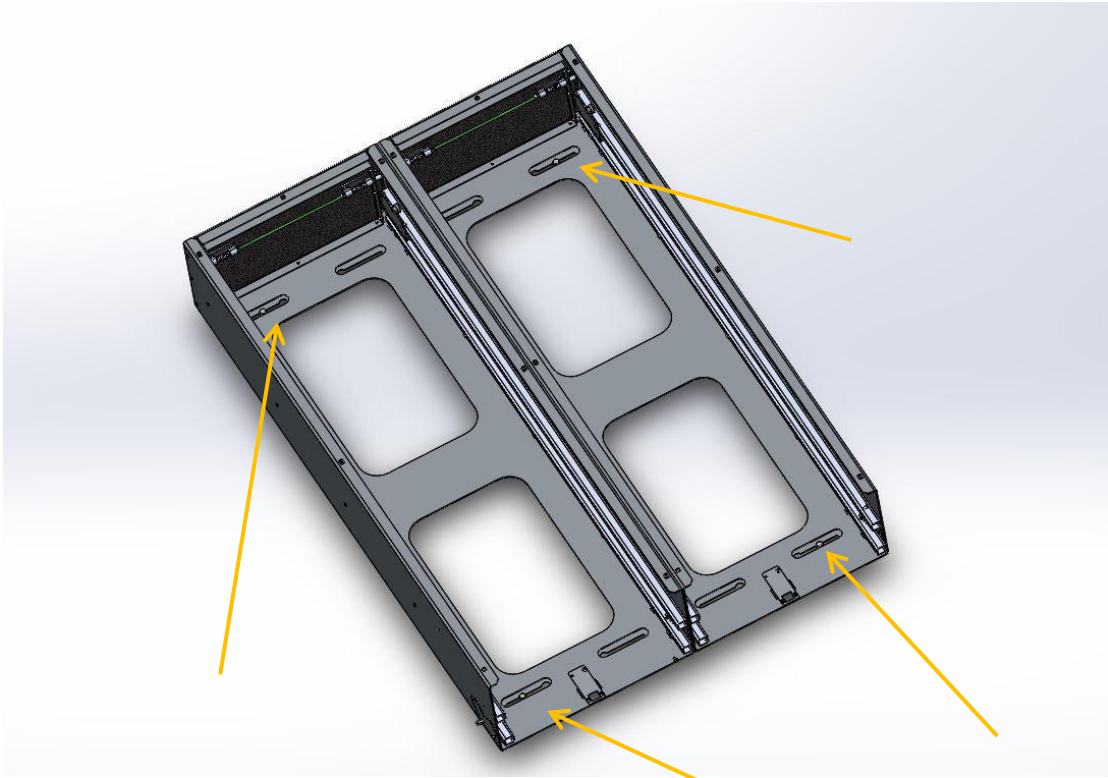


Figure 12: Bolt Positions

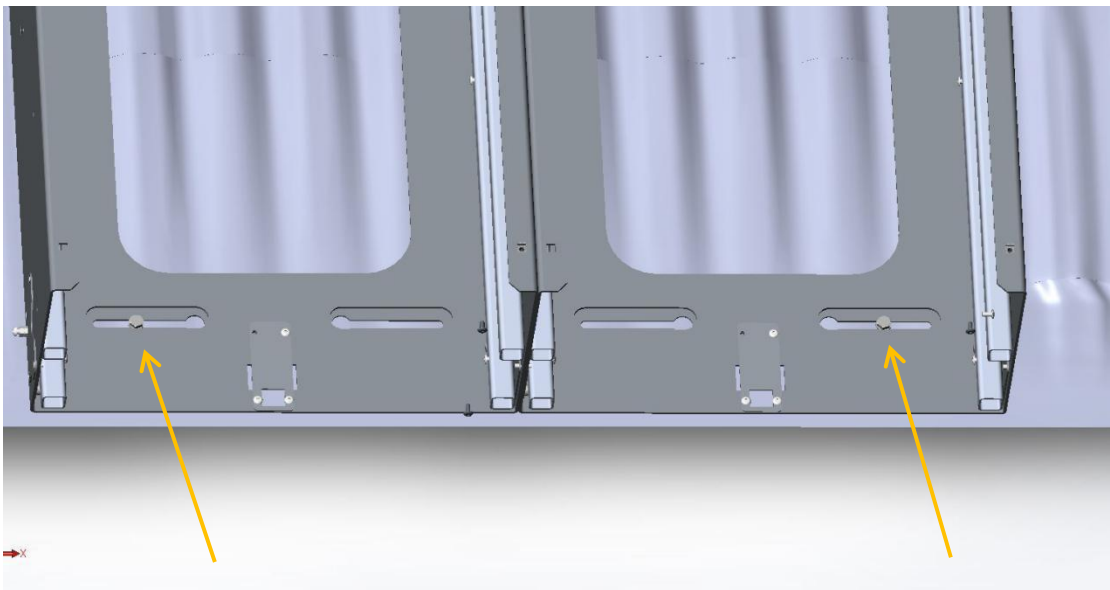


Figure 13: Front Bolt Positions

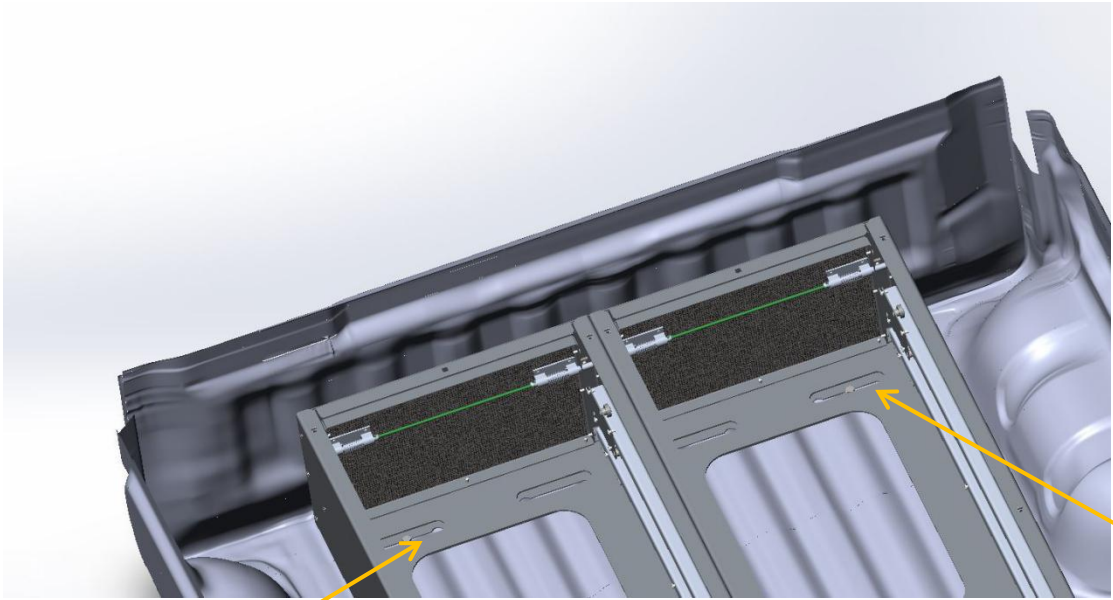


Figure 14: Rear Bolt Positions

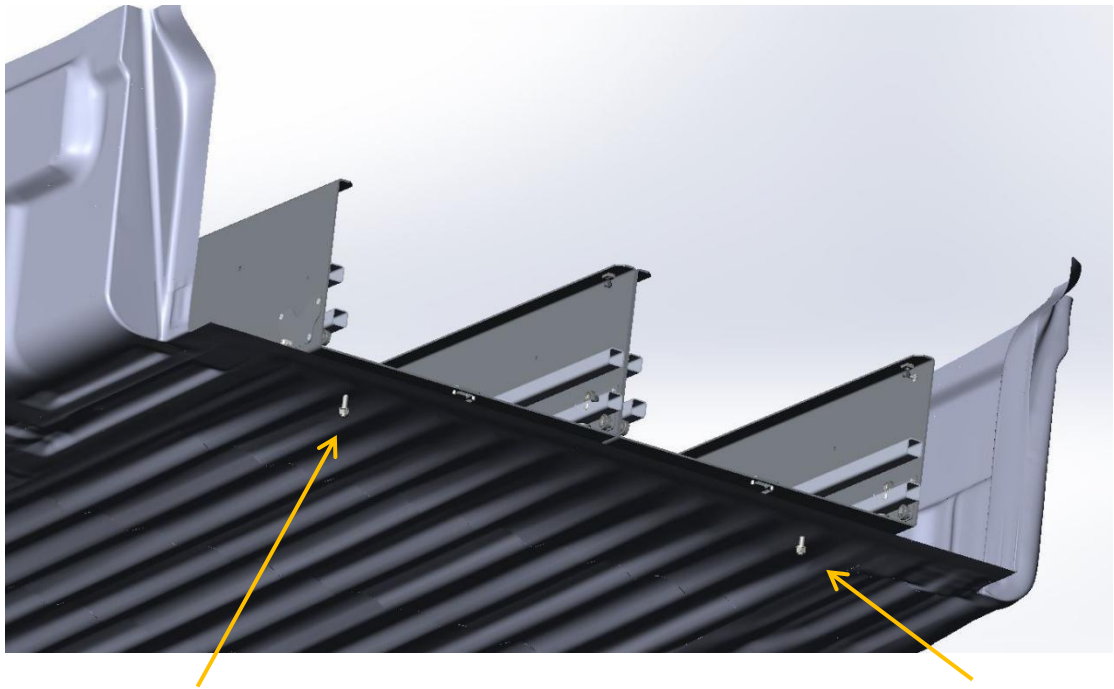
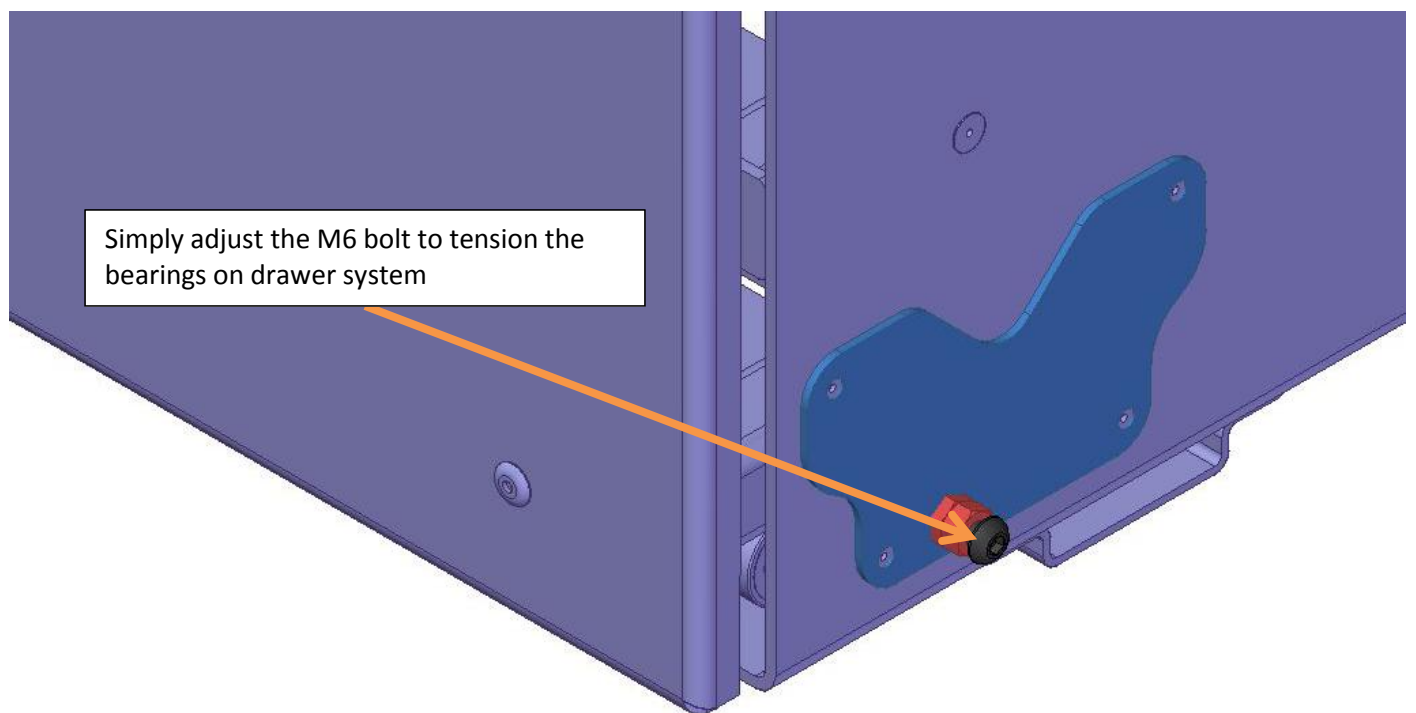
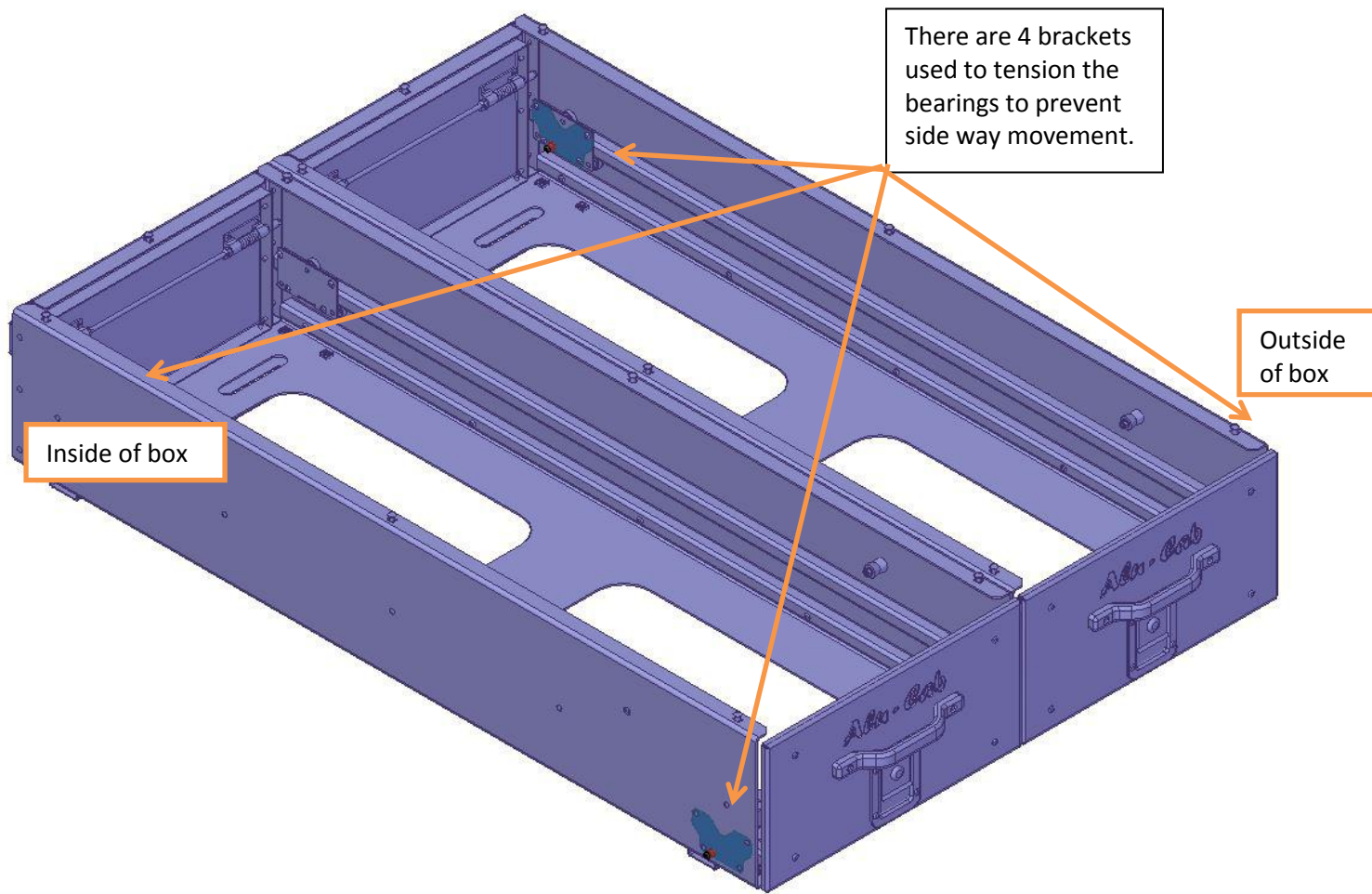


Figure 15: Bolts fastened underneath Load Bin



These M6X16 bolts are supplied loose with the drawer system, please make sure they are fitted to prevent side ways movement.

Step 4: Re-install Drawer Tops and Drawers

The final step is to reverse Step 1 and re-install the Drawer Tops and Drawers.

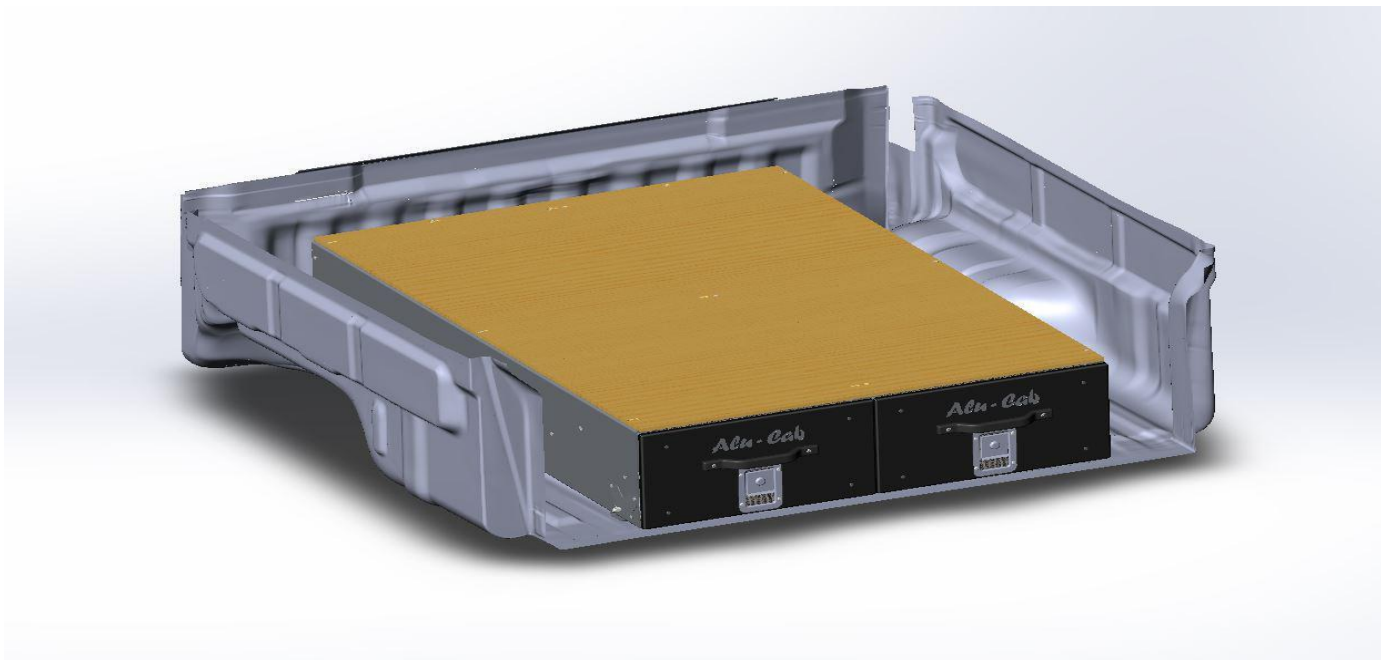


Figure 16: Complete Drawer System Installed