



FITMENT INSTRUCTIONS

VOLKSWAGEN AMAROK 2023 (DC) CANOPY CAMPER FITMENT INSTRUCTION

Preliminary Information

Installation and fitment instructions including tools required, fasteners included in kit, and the hardware included in kit. Please follow the instructions and check installation actions with the images in this document.

Please note, our mounting brackets and hardware for campers and canopies, are designed to be mounted directly to the load body, and not through a plastic loadbin liner.

Failure to remove or provide adequate clearance by way of cutting/modifying the liner to allow direct mounting to the load body, will result in an inferior installation that will void all warranties.



Please be sure to lay out all parts provided on a table or flat surface in order to check that all required parts are accounted for and prevent potential frustration at a later stage.

Installation Instructions

1

Canopy Camper Fitment – Tools, Fasteners & Materials The tables below show the equipment, i.e. tools and fasteners required to start the canopy camper fitment of a Volkswagen Amarok 2023 Double Cab.

1.1

Tools & Items Required

TOOL	
Ratchet	Flat Nose Pliers
Hand Drill	Phillips Screwdriver
10mm Socket	Panel Clip Removal Tool
13mm Socket	Flat Nose Pliers
13mm Ring Flat Spanner	
T40 Torx Bit	

1.2

Fasteners Supplied (included with canopy)

ITEM	QTY	ITEM	QTY
M8x20mm Hex Bolt	8	M8 Oversized Washer	20
M8x25mm Hex Bolt	6	M8 Spring Washer	16
M8x30mm Hex Bolt	8	M8 Nyloc Nuts	12
M8 35mm Hex Bolt	6	M8 Plastic Nut Caps	32
M8 Flat Washer	12		

Please be sure to lay out all parts provided on a table or flat surface in order to check that all required parts are accounted for and prevent potential frustration at a later stage.

Installation Instructions

1

Canopy Camper Fitment – Tools, Fasteners & Materials The tables below show the equipment, i.e. tools and fasteners required to start the canopy fitment for a Volkswagen Amarok 2023.

1.3

Hardware Required

ITEM	QTY
Front Left Mounting Bracket	1
Front Right Mounting Bracket	1
Rear Left Mounting Bracket	1
Rear Right Mounting Bracket	1
Universal Bracket	2
Amarok Rear Mounting Bracket	2
Standard Shim 01	32

1.4

Consumables Required

ITEM
Turpentine
Shop Rags
Black sealant, silicone or Sikaflex
Window Cleaner

Please be sure to lay out all parts provided on a table or flat surface in order to check that all required parts are accounted for and prevent potential frustration at a later stage.

Installation Instructions

2

Left, Right and Front Load Bin Capping.

Figure 1 and Figure 2 below are illustrations of the left and right replacement load bin capping for the Volkswagen Amarok Double Cab 2023.

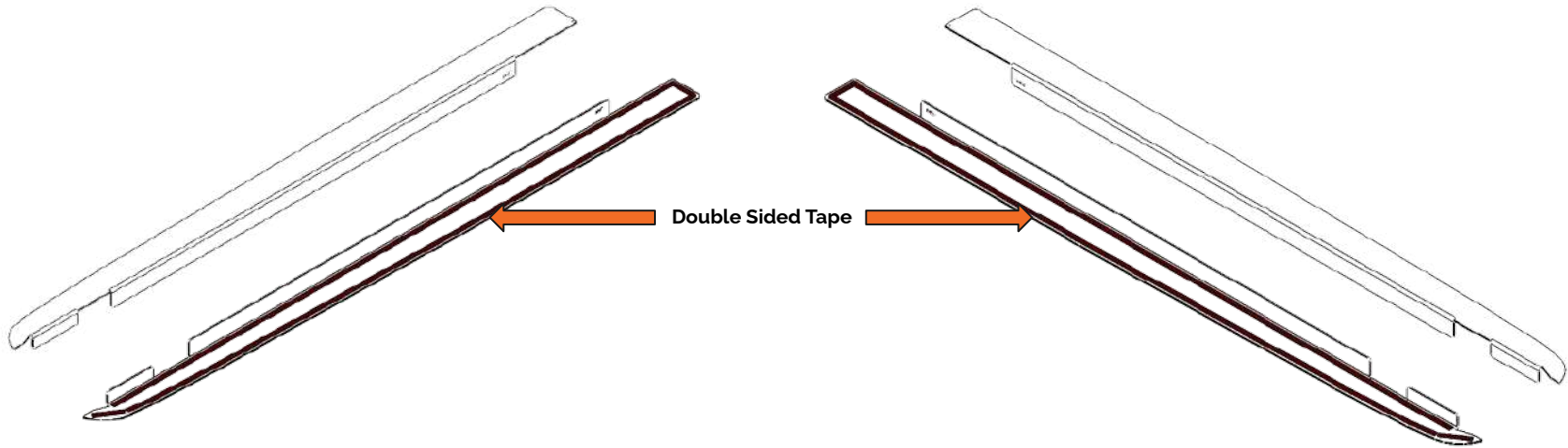


Fig 1. Left Load Bin Capping

Fig 2. Right Load Bin Capping

Installation Instructions

2

Front Load Bin Capping

Figure 3 below is an illustration of the front replacement load bin capping for the Volkswagen Amarok Double Cab 2023.

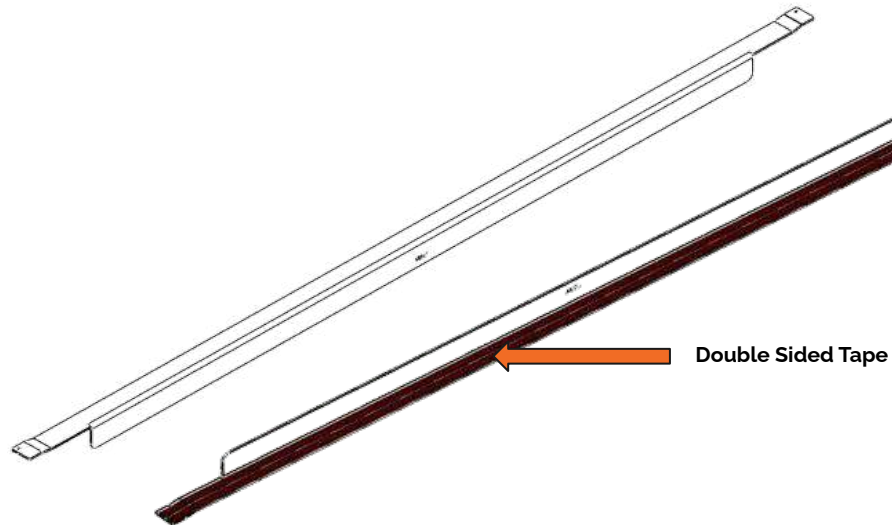


Fig 3. Front Load Bin Capping

Installation Instructions

2.1

Removing the OEM styling Bar

Figure 4 (Images A-F) below illustrates how to remove the OEM styling bar from the VW Amarok 2023 double cab load bin sequentially.

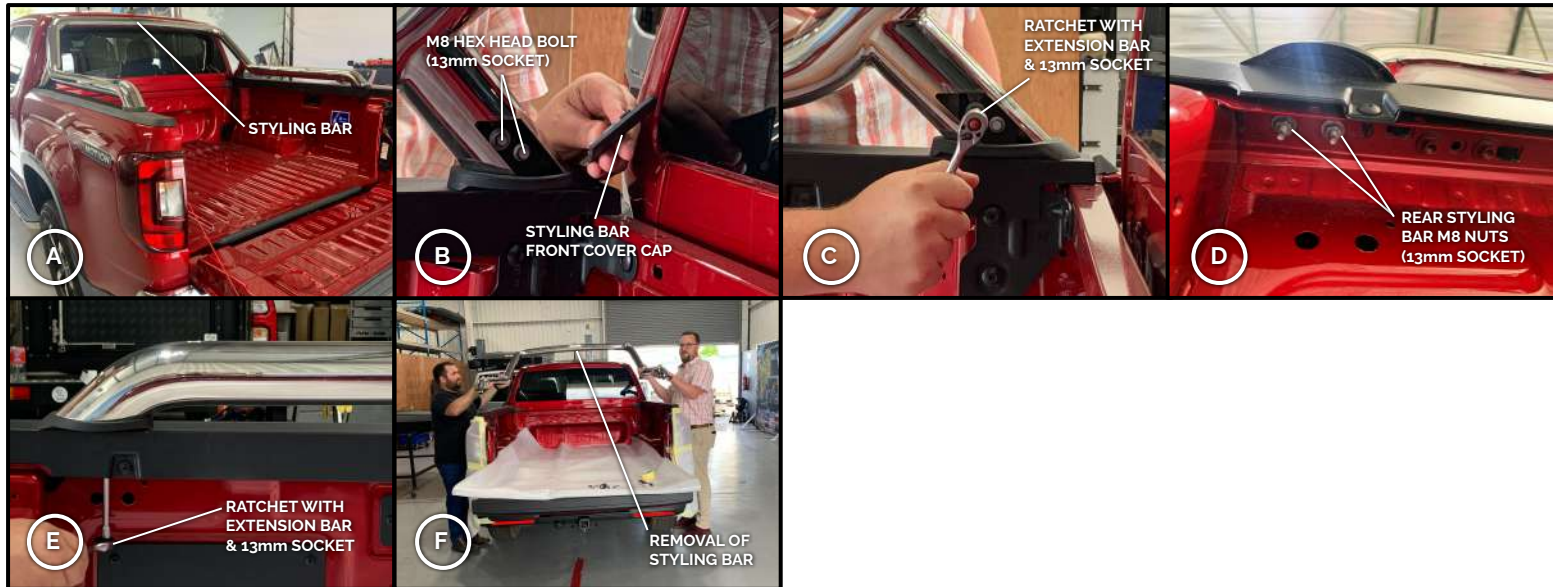


Fig 4. Image A - F

Installation Instructions

2.2

Removing the plastic capping

Figure 5 (Images G-L) below illustrate how to remove the left and right hand side plastic OEM loadbin capping.

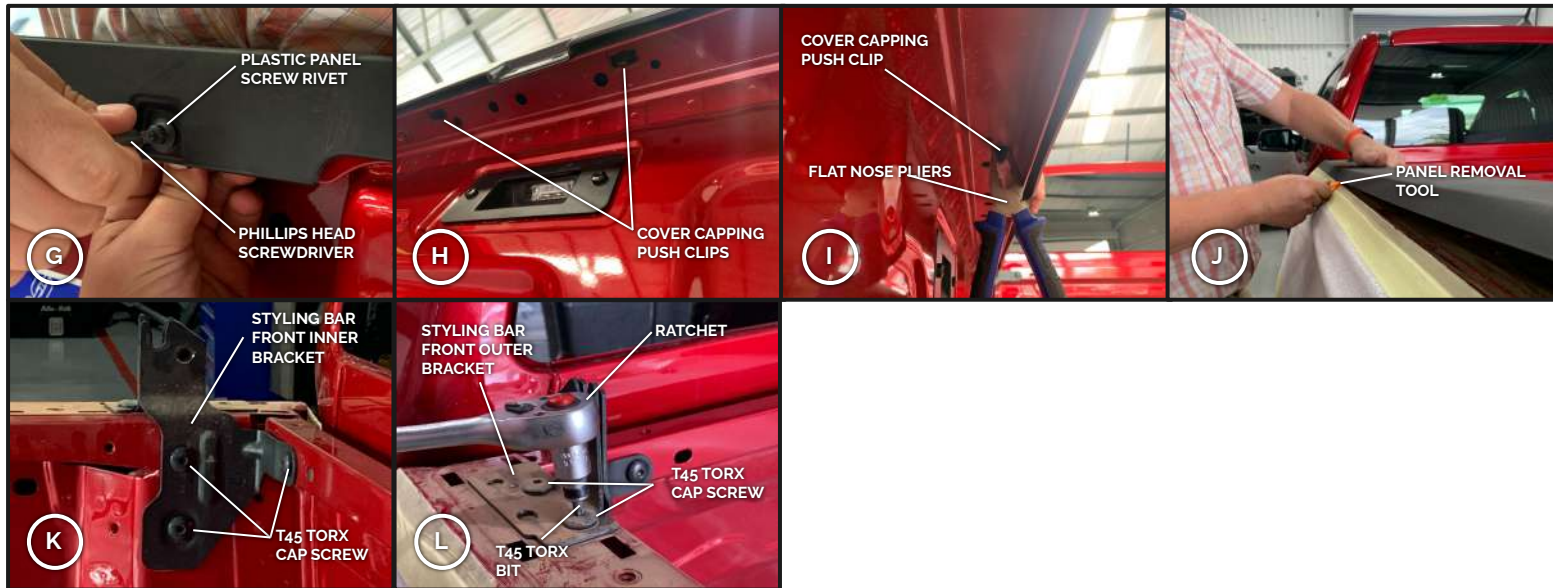


Fig 5. Image G - L

Installation Instructions

2.2

Removing the plastic capping (commercial double cab variant)

Figure 6 (Images M-T) below illustrate how to remove the left and right hand side plastic OEM loadbin capping as well as the tie down rails.

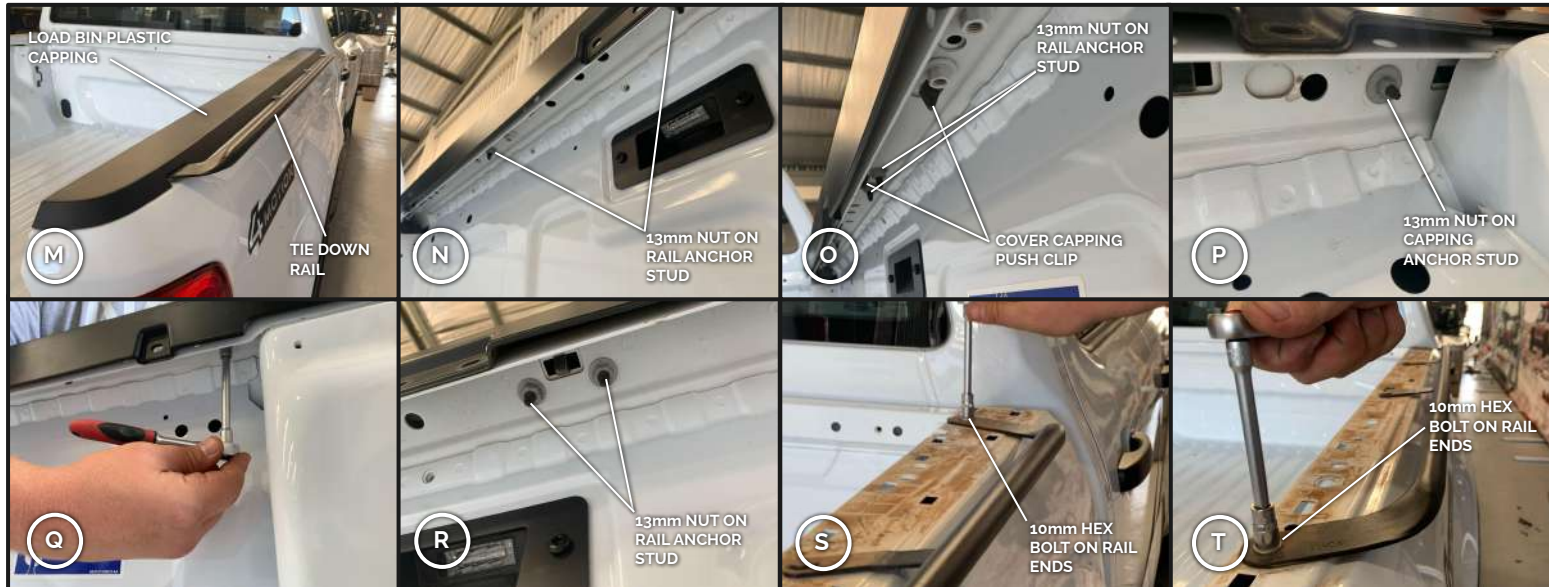


Fig 6. Image M - T

Installation Instructions

2.3

Installing the Canopy Camper Load Bin Replacement Capping

Figure 7 (Images U-W) below illustrates how to install the load bin capping left, right and front replacement capping.

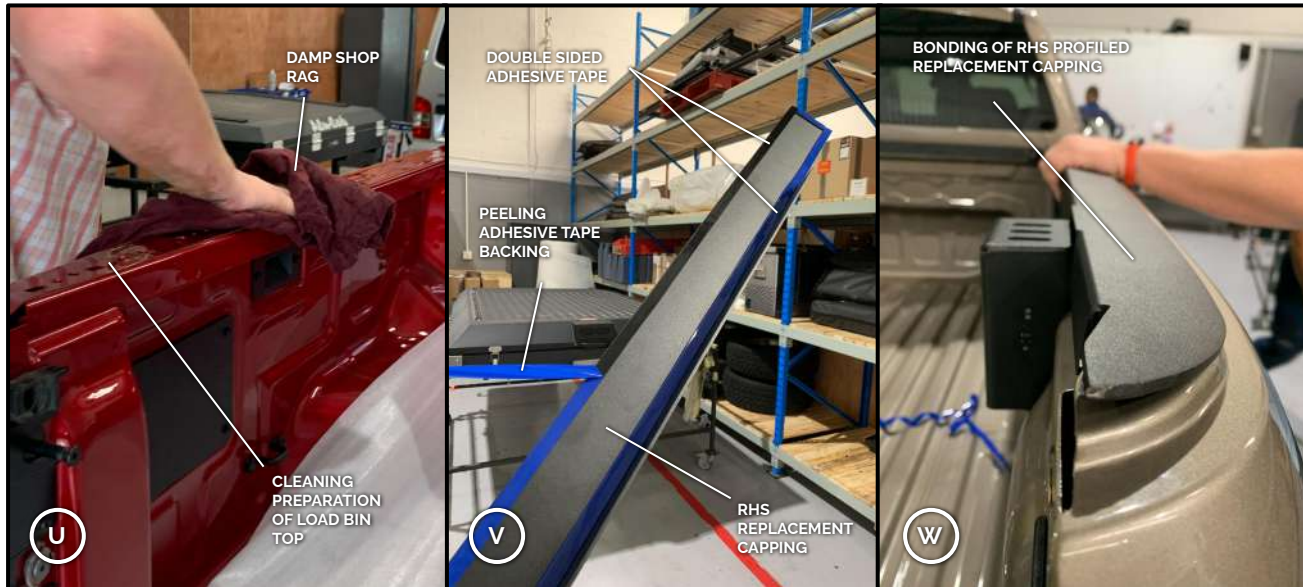


Fig 7. Image U - W

Installation Instructions

3

Removal of the Tie-down Loops

Figure 8 (Images X-Z) below illustrates illustrates the the position of the front and rear tie-down anchors which will need to be removed with a T45 Torx Bit.

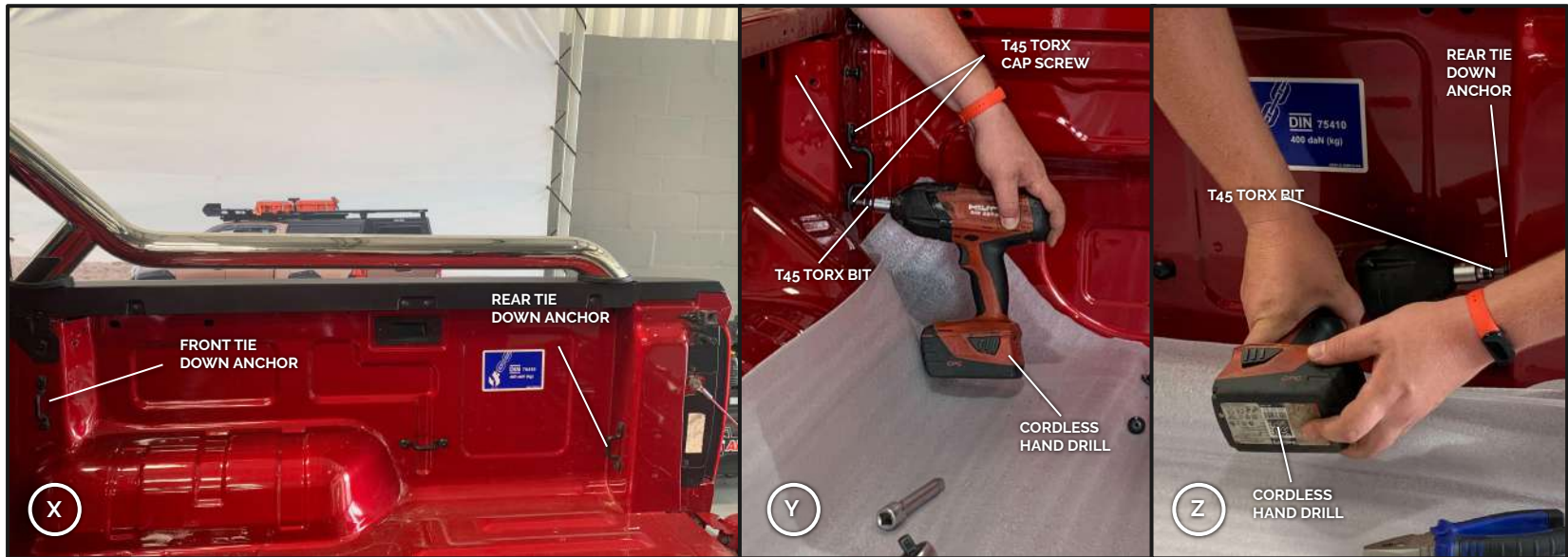


Fig 8. Image X - Z

Installation Instructions

3.1

Front and Rear Canopy/Camper Mounting Brackets

Figures 9 and 10 below illustrate the canopy mounting brackets for the VW Amarok 2023 Double Cab.

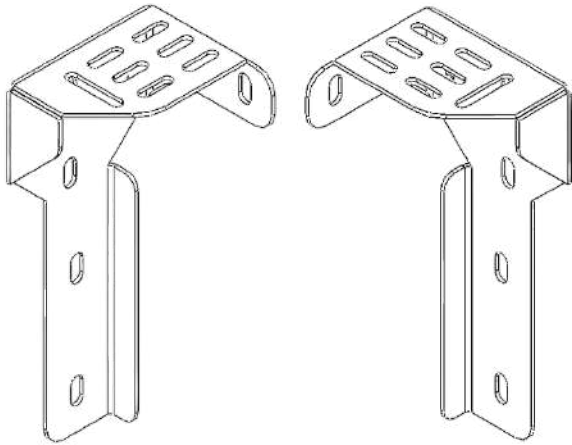


Fig 9. Front Left and Right Mounting Brackets

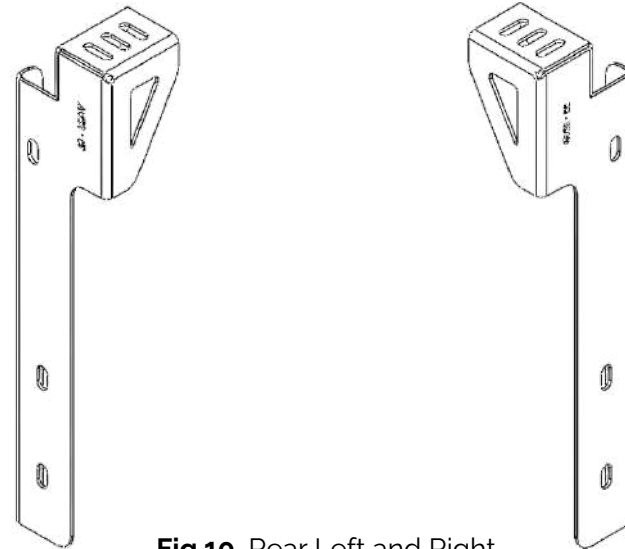


Fig 10. Rear Left and Right Mounting Brackets

Installation Instructions

3.2

Installing Front and Rear Mounting Brackets.

Figure 11 and 12 below illustrates the front right and left mounting bracket position on the load bin respectively.

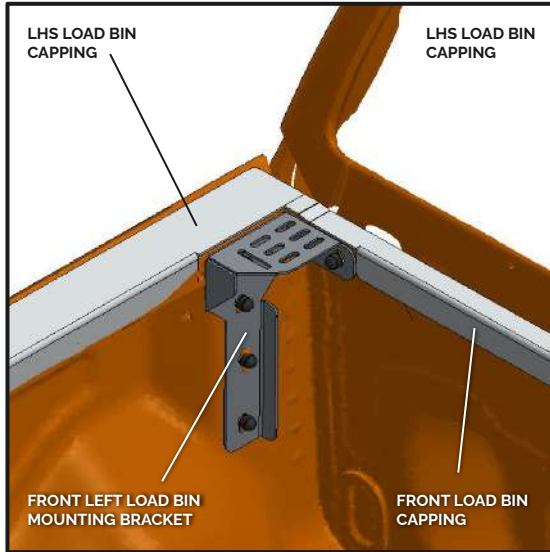


Fig 11. Right Front Mounting Bracket

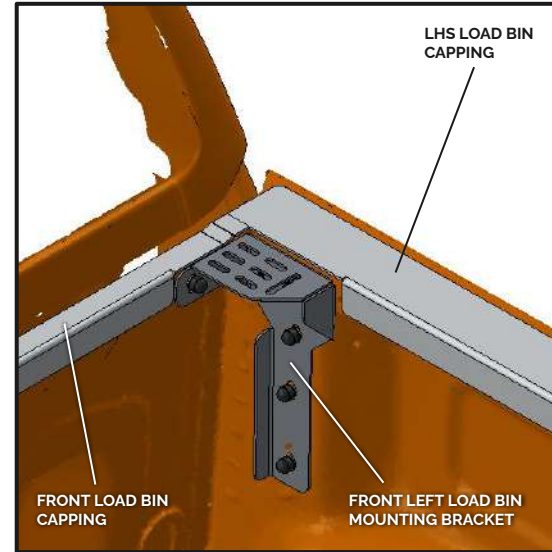


Fig 12. Left Front Mounting Bracket

Installation Instructions

3.3

Installing Front and Rear Mounting Brackets.

Figure 13 and 14 below illustrates the front right and left mounting bracket position on the load bin respectively.

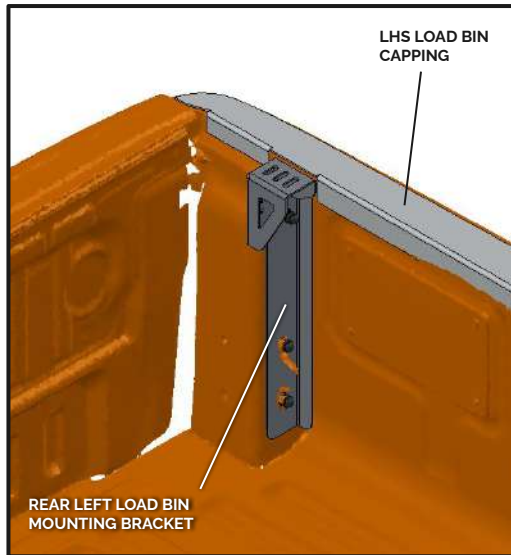


Fig 13. Left Rear Mounting Bracket

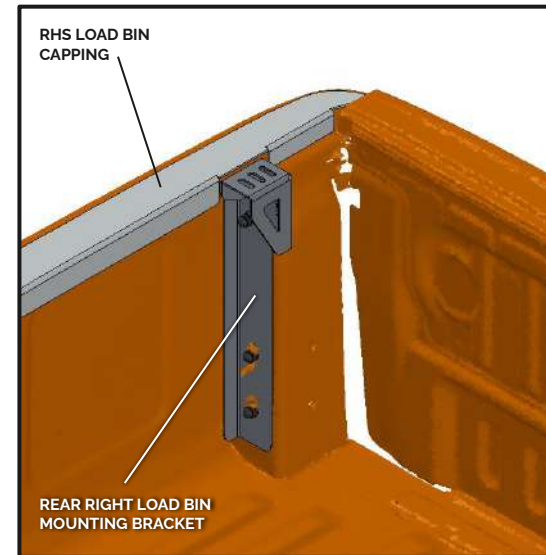
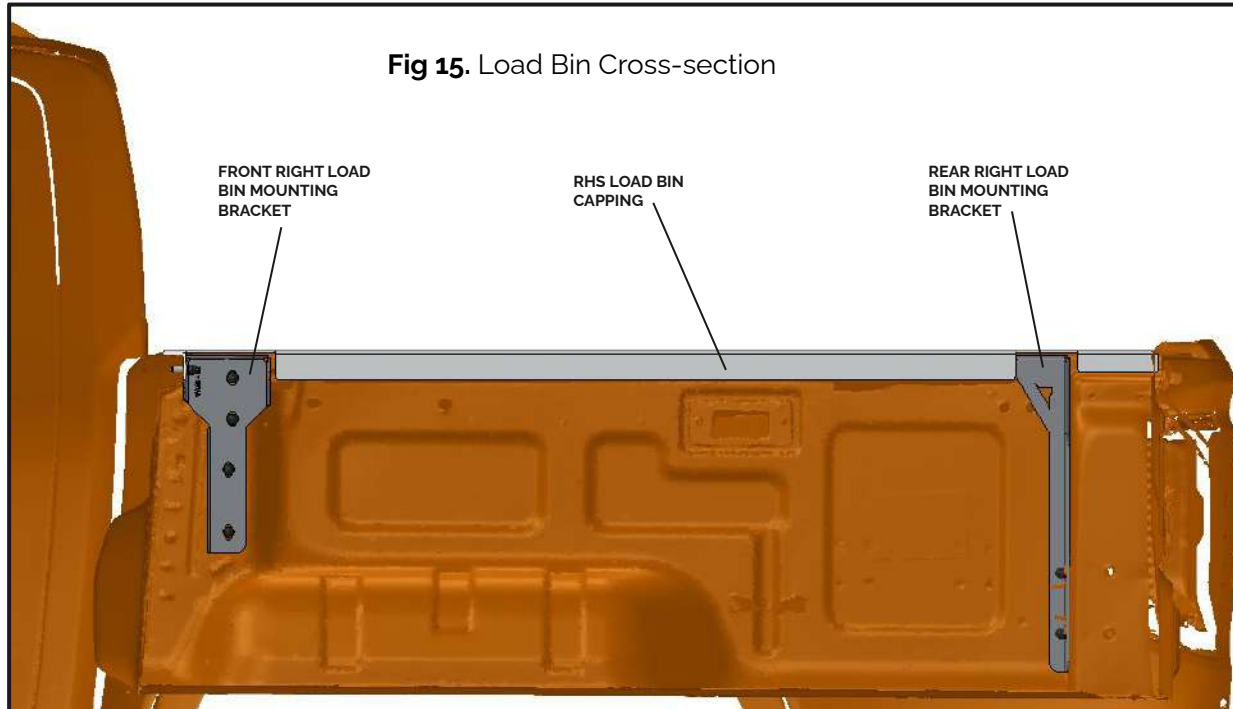


Fig 14. Left Front Mounting Bracket

Installation Instructions

3.4

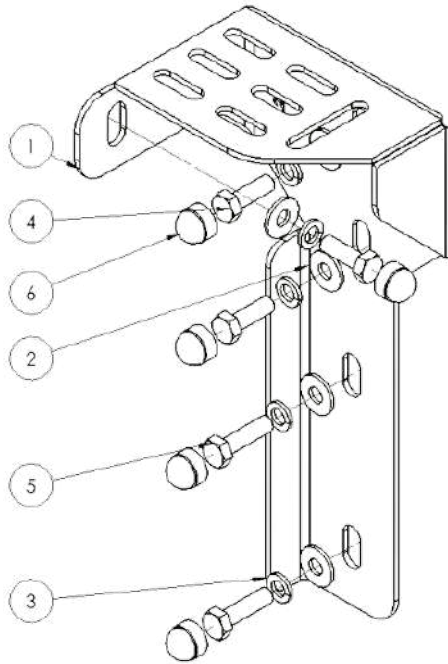
Figure 15 Cross-section of the load bin illustrating front, rear and centre mounting brackets in their respective positions.



Installation Instructions

3.5

Figure 16 below illustrates the Front Right Mounting Bracket Sub-Assembly

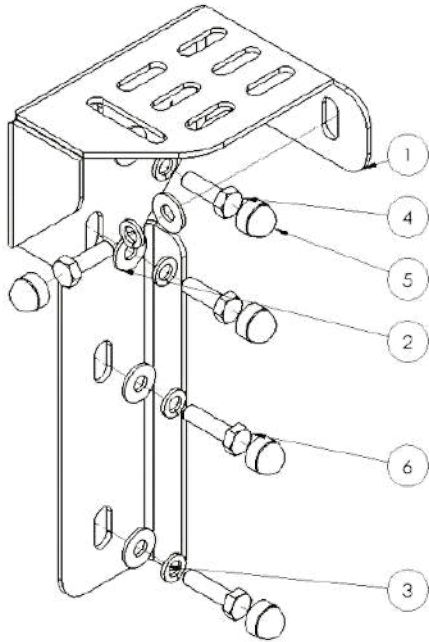


ITEM NO.	PART NUMBER	DESCRIPTION	QTY
1	C2-VA23-M-BKT-P001	VW AMAROK CANOPY FRONT RIGHT MOUNTING BRACKET	1
2	FFW-M8	M8x20mm OVERSIZED WASHER S/S - DIN 9021	5
3	SW-M8	M8 SPRING WASHER S/S	5
4	HEX-M8x25	M8x25 HEX BOLT S/S	3
5	HEX-M8x30	M8x30 HEX BOLT S/S	2
6	NCAP-M8	NUT CAP-o8mm	5

Fig 16. Front Right Mounting Bracket Assembly

Installation Instructions

3.6 Figure 17 below illustrates the Front Left Mounting Bracket Sub-Assembly



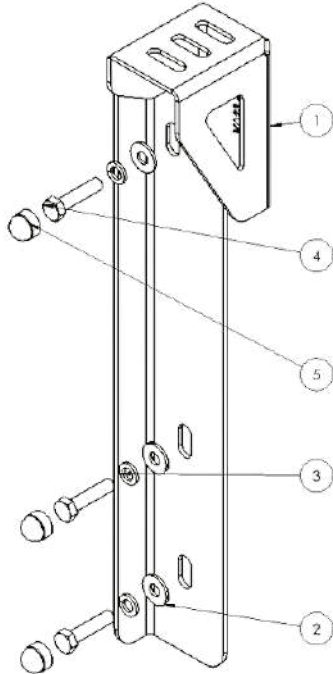
ITEM NO.	PART NUMBER	DESCRIPTION	QTY
1	C2-VA23-M-BKT-P002	VW AMAROK CANOPY FRONT LEFT MOUNTING BRACKET	1
2	FFW-M8	M8x20mm OVERSIZED WASHER S/S - DIN 9021	5
3	SW-M8	M8 SPRING WASHER S/S	5
4	HEX-M8x25	M8x25 HEX BOLT S/S	3
5	NCAP-M8	NUT CAP-08mm	5
6	HEX-M8x30	M8x30 HEX BOLT S/S	2

Fig 17. Front Left Mounting Bracket Assembly

Installation Instructions

3.7

Figure 18 below illustrates the Rear Right Mounting Bracket Sub-Assembly



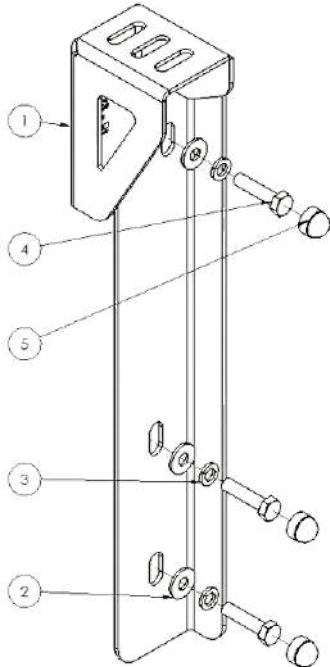
ITEM NO.	PART NUMBER	DESCRIPTION	QTY
1	C2-VA23-M-BKT-P003	VW AMAROK CANOPY REAR RIGHT MOUNTING BRACKET	1
2	FFW-M8	M8x20mm OVERSIZED WASHER S/S - DIN 9021	3
3	SW-M8	M8 SPRING WASHER S/S	3
4	HEX-M8x35	M8x35 HEX BOLT S/S	3
5	NCAP-M8	NUT CAP-o8mm	3

Fig 18. Rear Right Mounting Bracket Assembly

Installation Instructions

3.8

Figure 19 below illustrates the Rear Left Mounting Bracket Sub-Assembly



ITEM NO.	PART NUMBER	DESCRIPTION	QTY
1	C2-VA23-M-BKT-P004	VW AMAROK CANOPY REAR LEFT MOUNTING BRACKET	1
2	FFW-M8	M8x20mm OVERSIZED WASHER S/S - DIN 9021	3
3	SW-M8	M8 SPRING WASHER S/S	3
4	HEX-M8x35	M8x35 HEX BOLT S/S	3
5	NCAP-M8	NUT CAP-o8mm	3

Fig 19. Rear Left Mounting Bracket Assembly

Installation Instructions

4.1

Canopy Camper Installation

Figure 20 below illustrates the first steps in assembling the doorframe and filler kit. M8x20mm Hex bolts need to be slid into the bottom of the doorframe, and bolted to the bottom filler with M8 oversized washers and M8 Nyloc Nuts. The nuts to be covered with M8 nut caps.

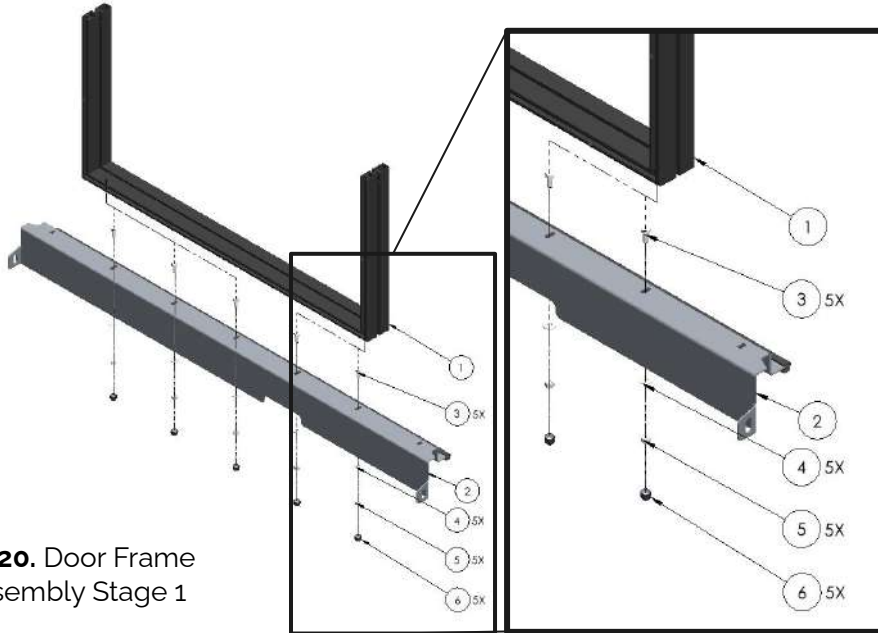


Fig 20. Door Frame Assembly Stage 1

ITEM NO.	PART NUMBER	DESCRIPTION	QTY.
1	162-LWR-DOR-FRA-01	LOWER DOOR FRAME	1
2	FR22-DC-BOT-SUPP-BRKT-01	VA23 CC BOTTOM FILLER	1
3	HEX-M8x20	M8x20 HEX BOLT S/S	5
4	FFW-M8	M8x20mm OVERSIZED WASHER S/S - DIN 9021	5
5	NY-M8	M8 NYLOC NUT S/S	5
6	NCAP-M8	NUT CAP-08mm	5
7	RUB-MDS-(1.35m)	DOOR RUBBER SEAL	1

Fig 21. Table with fasteners required.

Installation Instructions

4.1

Canopy Camper Installation

Figure 22 illustrates the second step in the assembly of the rear door frame. Two M8x20 bolts need to be slid into each side of the nuts lot. A M6 cage nut needs to be clipped into the rectangular cutout on each side of the bottom support brace.

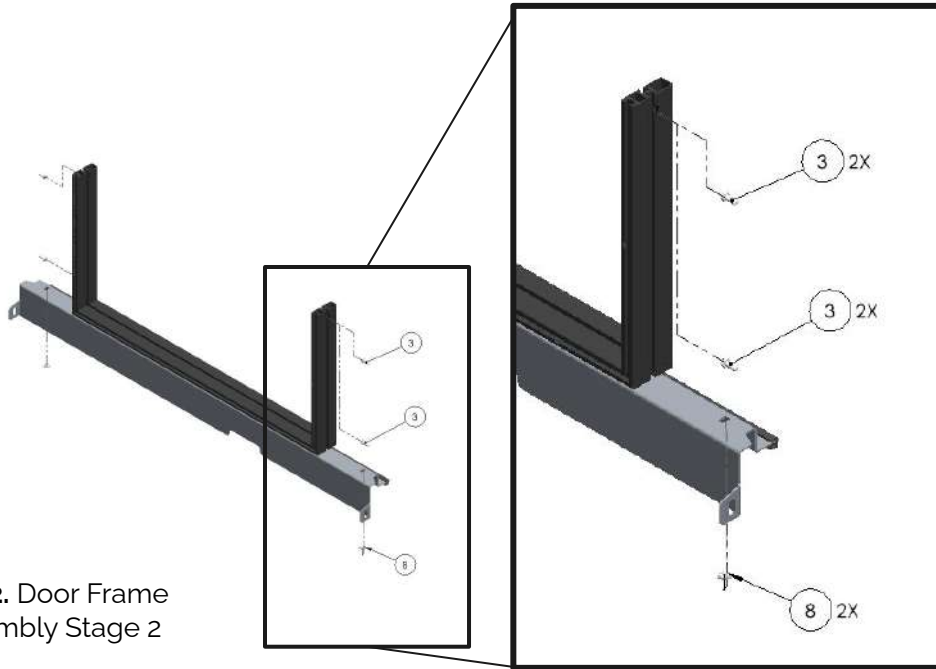


Fig 22. Door Frame Assembly Stage 2

ITEM NO.	PART NUMBER	DESCRIPTION	QTY.
1	162-LWR-DOR-FRA-01	LOWER DOOR FRAME	1
2	FR22-DC-BOT-SUPP-BRKT-01	BOTTOM SUPPORT BRACKET	1
3	HEX-M8x20	M8x20 HEX BOLT S/S	9
4	FFW-M8	M8x20mm OVERSIZED WASHER S/S - DIN 9021	5
5	NY-M8	M8 NYLOC NUT S/S	5
6	NCAP-M8	NUT CAP-08mm	5
7	RUB-MDS-(1.35m)	DOOR RUBBER SEAL	1
8	CAGE-M6	M6 CAGE NUT	2

Fig 23. Table with fasteners required.

Installation Instructions

4.1

Canopy Camper Installation

Figure 24 show the last part of the pre-assembly of the rear filler it before fitting it to the camper. Bolt the 2 filler panels with the open section on the inside. The fasteners required for sideways fistning is 4x M8 Oversized flat washer, 4x M8 Nyloc Nuts and 4x Nut Caps. The downwards fastening uses M6 oversized washer, M6 Button Head Bolt and M6 nut cap.

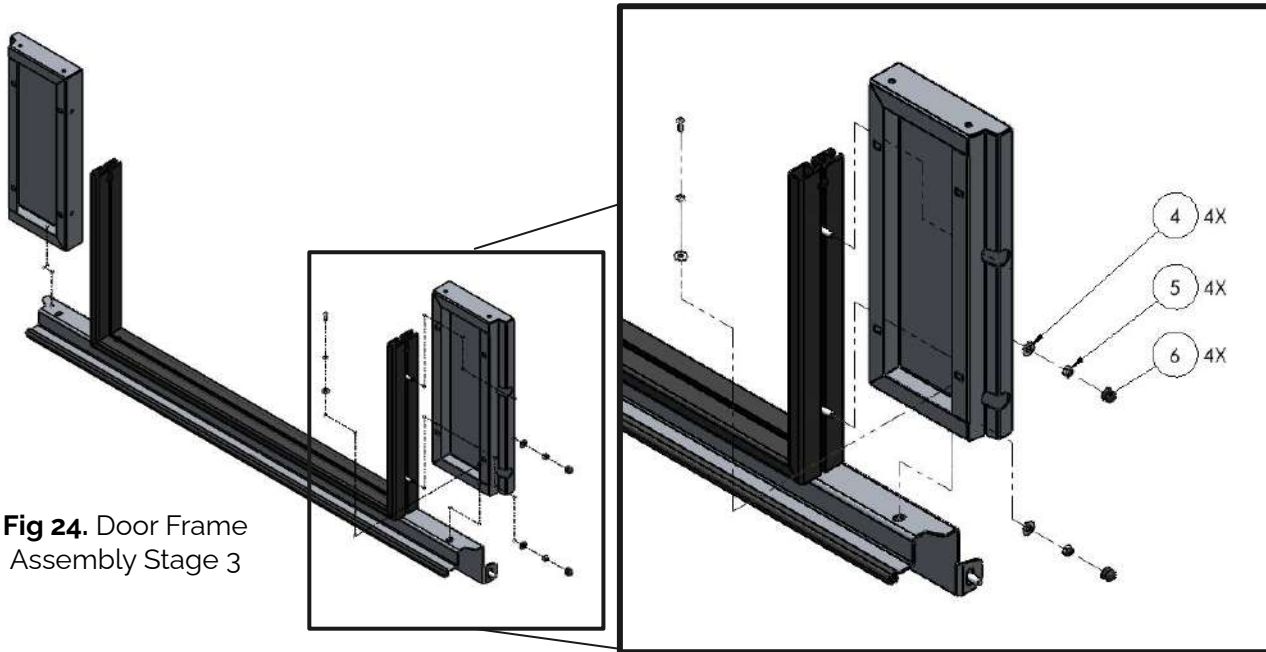


Fig 24. Door Frame Assembly Stage 3

ITEM NO.	PART NUMBER	DESCRIPTION	QTY.
1	162-LWR-DOR-FRA-01	LOWER DOOR FRAME	1
2	FR22-DC-BOT-SUPP-BRKT-01	BOTTOM SUPPORT BRACKET	1
3	HEX-M8x20	M8x20 HEX BOLT S/S	9
4	FFW-M8	M8x20mm OVERSIZED WASHER S/S - DIN 9021	9
5	NY-M8	M8 NYLOC NUT S/S	9
6	NCAP-M8	NUT CAP-Ø8mm	9
7	RUB-MDS-(1.35m)	DOOR RUBBER SEAL	1
8	CAGE-M6	M6 CAGE NUT	2
9	FR22-CC-REAR SIDE FILLER BOX LH	VA23 CC REAR SIDE FILLER BOX LH	1
10	FR22-CC-REAR SIDE FILLER BOX RH	VA23 CC REAR SIDE FILLER BOX RH	1
11	BHD-M6x16	M6x16 B/HD BOLT S/S	1
12	FFW-M6	M6x18mm OVERSIZED WASHER S/S - DIN 9021	1
13	SW-M6	M6 SPRING WASHER S/S	1
14	FFW-M10	M10x30mm OVERSIZED WASHER S/S - DIN 9021	2
15	SW-M10	M10 SPRING WASHER S/S	2
16	HEX-M10x25	M10x25 HEX BOLT S/S	2

Fig 25. Table with fasteners required.

Installation Instructions

4.1

Canopy Camper Installation

Slide in 2x M8x20 bolts into the each side of the camper underneath the 2x rear bottom pieces. The 2x side filler panels gets bolted to the camper via the 2x holes in the top of each panel. The hardware required is 4x M8 oversize washers, 4x M8 Nyloc nuts and M8 nut caps. Secondly angular plates is riveted in position from the side and inside and on the outside, a nut plate is bolted in place with 4x M8 hardware on each side. 2x Above the joint and 2x below the joint.

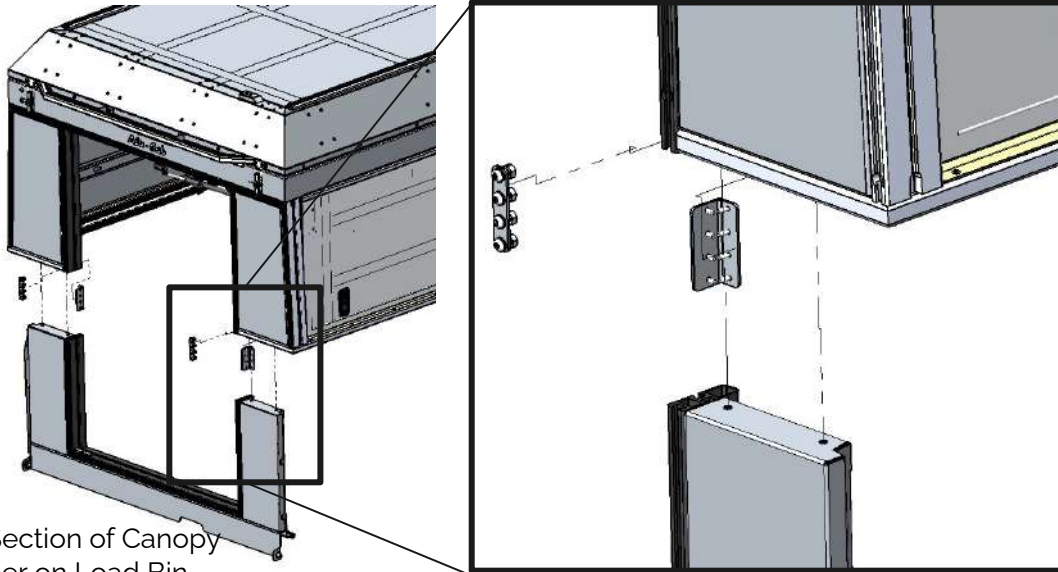


Fig 26. Section of Canopy Camper on Load Bin

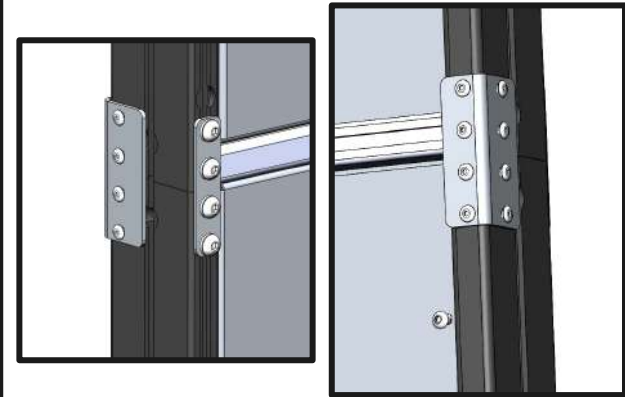


Fig 27. Position of Canopy Camper Mounting Brackets

Installation Instructions

4.1

Canopy Camper Installation

Figure 28 below illustrates the alignment of the Canopy Camper from front to back and Figure 29 illustrates the position of the canopy-to-load-bin mounting bracket positions.

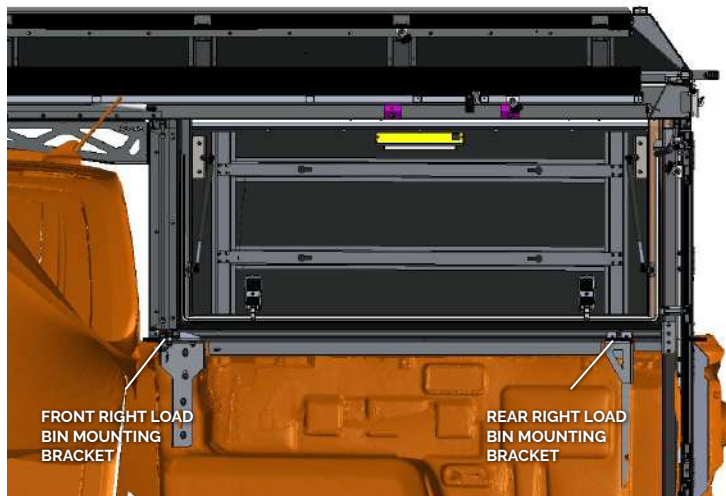


Fig 28. Section of Canopy Camper on Load Bin

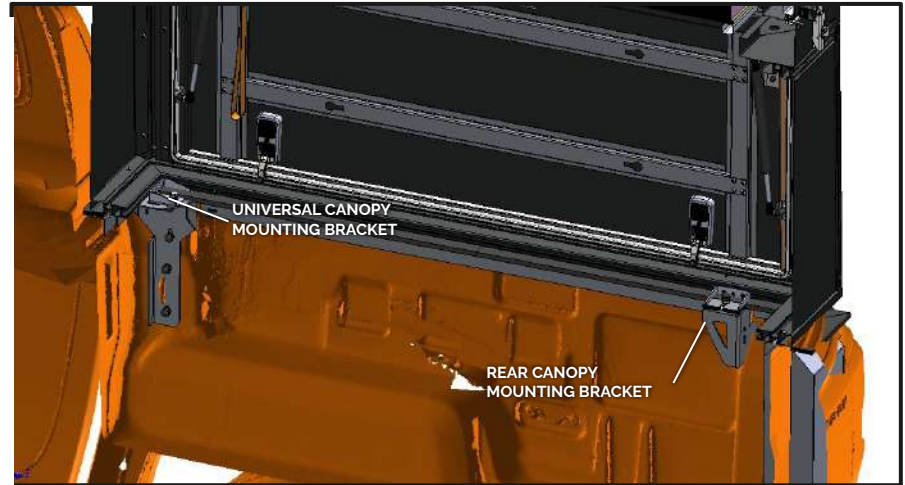


Fig 29. Position of Canopy Camper Mounting Brackets

Installation Instructions

4.2

Canopy Camper Installation

Figures 30 and 31 below illustrate how the canopy mounting brackets key into the nut-slots in the base frame of the canopy and how to use the shim plates for completing the mounting of the Volkswagen Amarok Double Cab 2023 Canopy Camper.

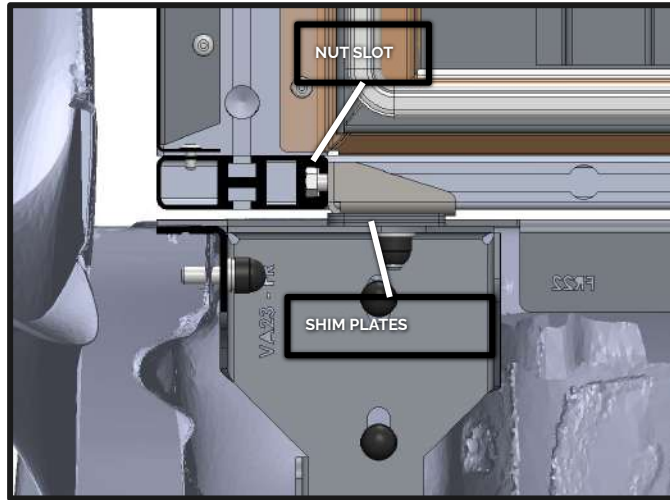


Fig 30. Universal Canopy Mounting Bracket

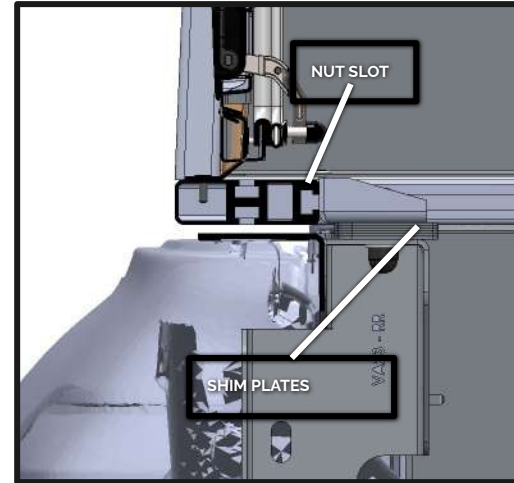
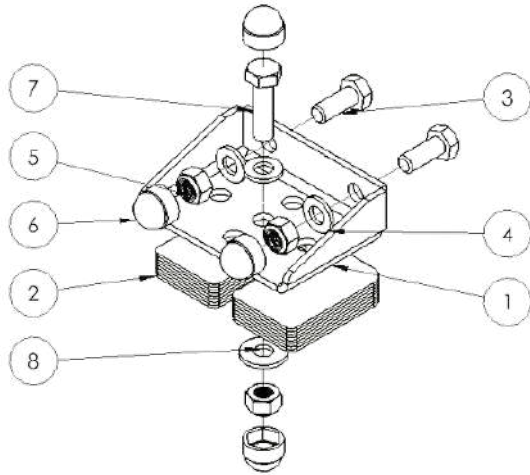


Fig 31. Canopy Mounting Bracket

Installation Instructions

4.4

Figure 32 below illustrates the Canopy Camper Mounting Bracket Sub-Assembly



ITEM NO.	PART NUMBER	DESCRIPTION	QTY
1	AC001-CAN-MNT-BR KT-01	CANOPY MOUNTING BRACKET	1
2	AC001-STD-SHIM-01	STANDARD SHIM 01	8
3	HEX-M8x20	M8x20 HEX BOLT S/S	2
4	FW-M8	M8x16mm FLAT WASHER S/S - DIN 125	3
5	NY-M8	M8 NYLOC NUT S/S	3
6	NCAP-M8	NUT CAP-o8mm	4
7	HEX-M8x30	M8x30 HEX BOLT S/S	1
8	FFW-M8	M8x20mm OVERSIZED WASHER S/S - DIN 9021	1

Fig 32. Canopy Camper
Mounting Bracket
Assembly

Installation Instructions

4.1

Canopy Camper Installation

Figure 20 below illustrates the alignment of the Canopy Camper from front to back and Figure 21 illustrates the position of the canopy-to-load-bin mounting bracket positions.

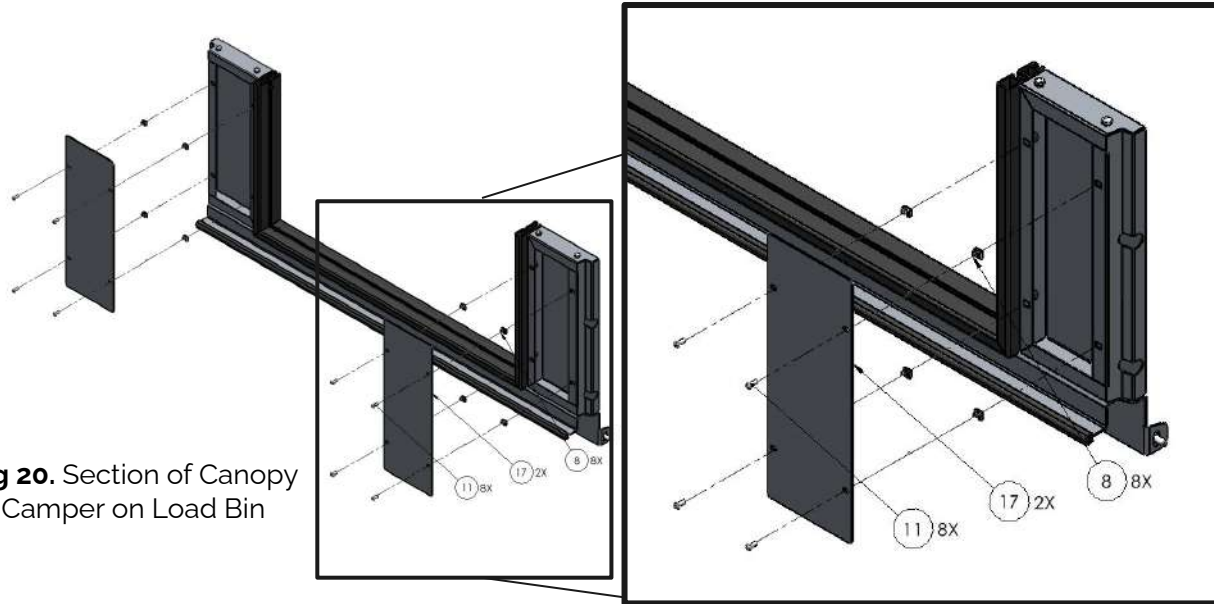


Fig 20. Section of Canopy Camper on Load Bin

ITEM NO.	PART NUMBER	DESCRIPTION	QTY.
1	I62-LWR-DOR-FRA-01	LOWER DOOR FRAME	1
2	FR22-DC-BOT-SUPP-BRKT-01	BOTTOM SUPPORT BRACKET	1
3	HEX-M8x20	M8x20 HEX BOLT S/S	13
4	FFW-M8	M8x20mm OVERSIZED WASHER S/S - DIN 9021	13
5	NY-M8	M8 NYLOC NUT S/S	13
6	NCAF-M8	NUT CAP-Ø8mm	13
7	RUB-MDS-(1.35m)	DOOR RUBBER SEAL	1
8	CAGE-M6	M6 CAGE NUT	11
9	FR22-CC-REAR SIDE FILLER BOX LH	VA23 CC REAR SIDE FILLER BOX LH	1
10	FR22-CC-REAR SIDE FILLER BOX RH	VA23 CC REAR SIDE FILLER BOX RH	1
11	BHD-M6x16	M6x16 B/HD BOLT S/S	11
12	FFW-M6	M6x18mm OVERSIZED WASHER S/S - DIN 9021	3
13	SW-M6	M6 SPRING WASHER S/S	3
14	FFW-M10	M10x30mm OVERSIZED WASHER S/S - DIN 9021	2
15	SW-M10	M10 SPRING WASHER S/S	2
16	HEX-M10x25	M10x25 HEX BOLT S/S	2
17	FR22-CC-REAR SIDE FILLER COVER	VA23 CC REAR SIDE FILLER COVER	2

Fig 21. Position of Canopy Camper Mounting Brackets

Disclaimer

All rights reserved. No part of this website may be reproduced, translated, stored in a retrieval system, or transmitted, in any form or by any means, electronic, mechanical, photocopying, recording or otherwise, without prior written permission of the owner.

Review all instructions information carefully before installation.

Any damages, direct or incidental to the installer and/or property due to incorrect installation of any parts are the responsibility of the installer. Due to the various applications and fitment options available, the responsibility lies with the user to ensure all mounting points are secure and tight before every trip.

If unsure, consult with your Distributor regarding the operations of our products.

Users are advised to be mindful of the load they are carrying and drive in accordance with road conditions.

WARNING

Always wear appropriate PPE (Personal protection equipment) when fitting our products. Although the mounting kit is designed to be DIY, if you have any doubts or concerns, contact an accredited fitment centre to carry out the work. Alu-Cab will not be liable for any injury to persons, and/or damage to products and/or vehicles.

While Alu-Cab Holdings takes reasonable measures to ensure that the contents of this Website are accurate and complete, Alu-Cab Holdings makes no representations or warranties, whether express or implied, as to the quality, timeliness, operation, integrity, availability or functionality of this Website or as to the accuracy, completeness or reliability of any information on this Website. Alu-Cab Holdings reserves the right to make changes, corrections and/or improvements to the information and to the products and programs described in such information, at any time without notice.

Alu-Cab Holdings will use reasonable endeavours to maintain the availability of the Website, except during scheduled maintenance periods, and reserves the right to discontinue providing the Website or the service or any part thereof with or without notice to you. Any person who accesses this Website or relies on this Website or on the information contained in this Website does so at his or her own risk.

Occasionally, at our discretion, we may include or offer third-party products or services on our website. These third-party sites have separate and independent privacy policies. We therefore have no responsibility or liability for the content and activities of these linked sites. Nonetheless, we seek to protect the integrity of our site and welcome any feedback about these sites.