



FITMENT INSTRUCTIONS

FORD RANGER 2023 (DC) CANOPY CAMPER FITMENT INSTRUCTION

RANGER 22 DISCLAIMER J BRACE

Ford has given instruction that the new Ford Ranger requires a reinforcement bracket for any canopy and accessory fitted to the vehicle's load body.

For information about the J Brace kit, contact your local Ford Dealer.

Ford part number: AMN1WJ27726AA

FITMENT OF J BRACE: The J Brace must be fitted prior to installing the canopy or canopy camper. Alu-Cab will not accept any liability for damages to the canopy or vehicle if the J Brace is not fitted or fitted post-fact.

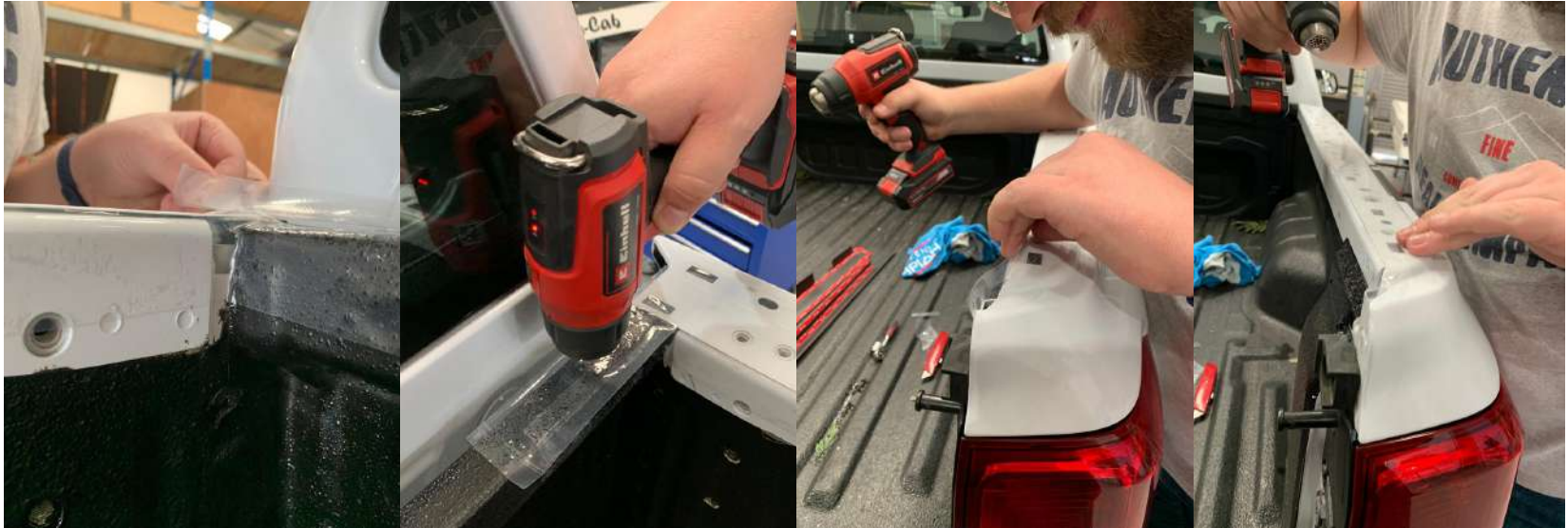
All dealers, please note it will be your responsibility to record proof of fitment of the J Brace for warranty purposes.

Please be sure to lay out all parts provided on a table or flat surface in order to check that all required parts are accounted for and prevent potential frustration at a later stage.

RANGER 22 DISCLAIMER SEALING OF LOADBIN

Due to the design of the Ford Ranger 2022 Loadbin, it's recommended to seal all openings and holes in the loadbin before fitting a canopy or canopy camper. Only leave open the bolt holes needed to fit the products.

It is also recommended, that a high adhesion, vinyl tape is applied to top and inside of the loadbin to cover all extra holes, openings and joints that might leak. A heat gun might be used to soften the vinyl and shape it better.



- THIS RECOMMENDATION MIGHT BE SUBJECT TO CHANGED OVER TIME.

Preliminary Information

Installation and fitment instructions including tools required, fasteners included in kit, and the hardware included in kit. Please follow the instructions and check installation actions with the images in this document.



Please be sure to lay out all parts provided on a table or flat surface in order to check that all required parts are accounted for and prevent potential frustration at a later stage.

Installation Instructions

1

Canopy Camper Fitment – Tools, Fasteners & Materials The tables below show the equipment, i.e. tools and fasteners required to start the canopy camper fitment of a Ford Ranger 2022 Double Cab.

1.1

Tools & Items Required

TOOL	
Ratchet	Flat Nose Pliers
Hand Drill	Phillips Screwdriver
10mm Socket	Panel Clip Removal Tool
13mm Socket	Flat Nose Pliers
13mm Ring Flat Spanner	
T40 Torx Bit	

1.2

Fasteners Supplied (included with canopy)

ITEM	QTY	ITEM	QTY
M8x20mm Hex Bolt	8	M8 Oversized Washer	20
M8x25mm Hex Bolt	6	M8 Spring Washer	16
M8x30mm Hex Bolt	8	M8 Nyloc Nuts	12
M8 35mm Hex Bolt	6	M8 Plastic Nut Caps	32
M8 Flat Washer	12		

Please be sure to lay out all parts provided on a table or flat surface in order to check that all required parts are accounted for and prevent potential frustration at a later stage.

Installation Instructions

1

Canopy Camper Fitment – Tools, Fasteners & Materials The tables below show the equipment, i.e. tools and fasteners required to start the canopy fitment for a Ford Ranger 2022.

1.3

Hardware Required

ITEM	QTY	ITEM	QTY
Front Left Mounting Bracket	1	Bottom Filler Panel	1
Front Right Mounting Bracket	1	Left Hand Filler Panel	1
Rear Left Mounting Bracket	1	Right Hand Filler Panel	1
Rear Right Mounting Bracket	1	Rubber Strip	1
Universal Bracket	4		
Ranger Rear Mounting Bracket	2		
Standard Shim 01	24		

1.4

Consumables Required

ITEM
Turpentine
Shop Rags
Black sealant, silicone or Sikaflex
Window Cleaner

Please be sure to lay out all parts provided on a table or flat surface in order to check that all required parts are accounted for and prevent potential frustration at a later stage.

Installation Instructions

2.1

Left, Right and Front Load Bin Capping.

Figure 1 and Figure 2 below are illustrations of the left and right replacement load bin capping for the Ford Ranger 2022 Double Cab.

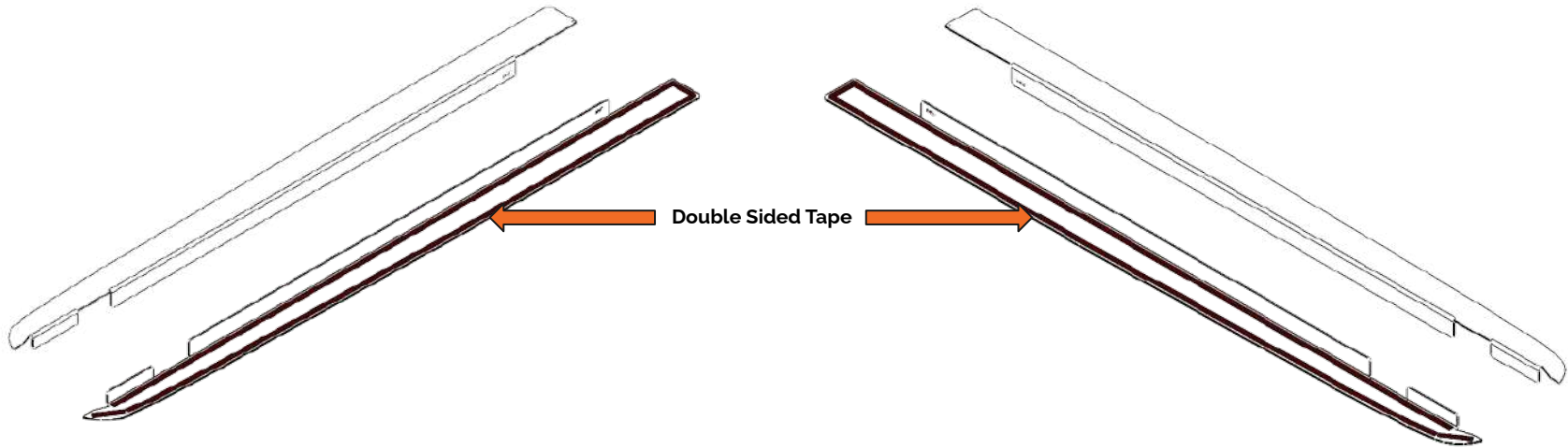


Fig 1. Left Load Bin Capping

Fig 2. Right Load Bin Capping

Installation Instructions

2.2

Front Load Bin Capping

Figure 3 below is an illustration of the front replacement load bin capping for the Ford Ranger 2022 Double Cab.

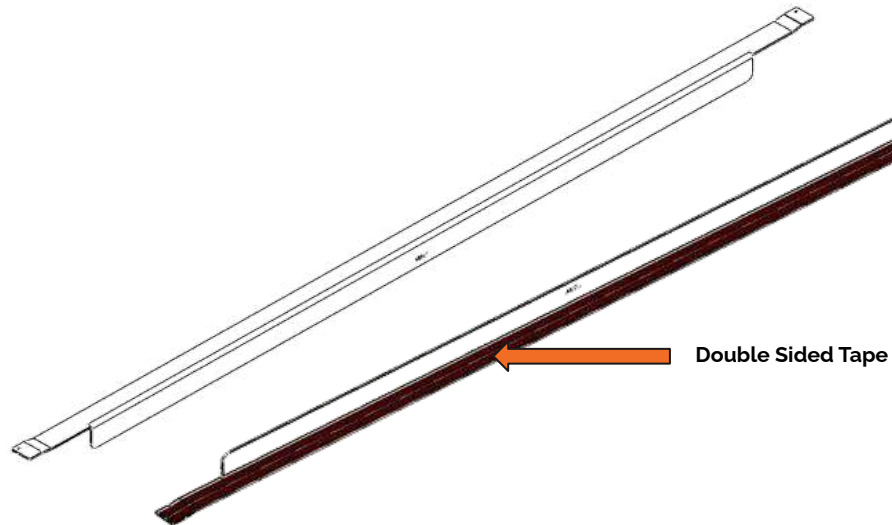


Fig 3. Front Load Bin Capping

Installation Instructions

3.1

Removing the OEM styling Bar

Figure 4 (Images A-F) below illustrates how to remove the OEM styling bar from the Ford Ranger 2022 double cab load bin sequentially.

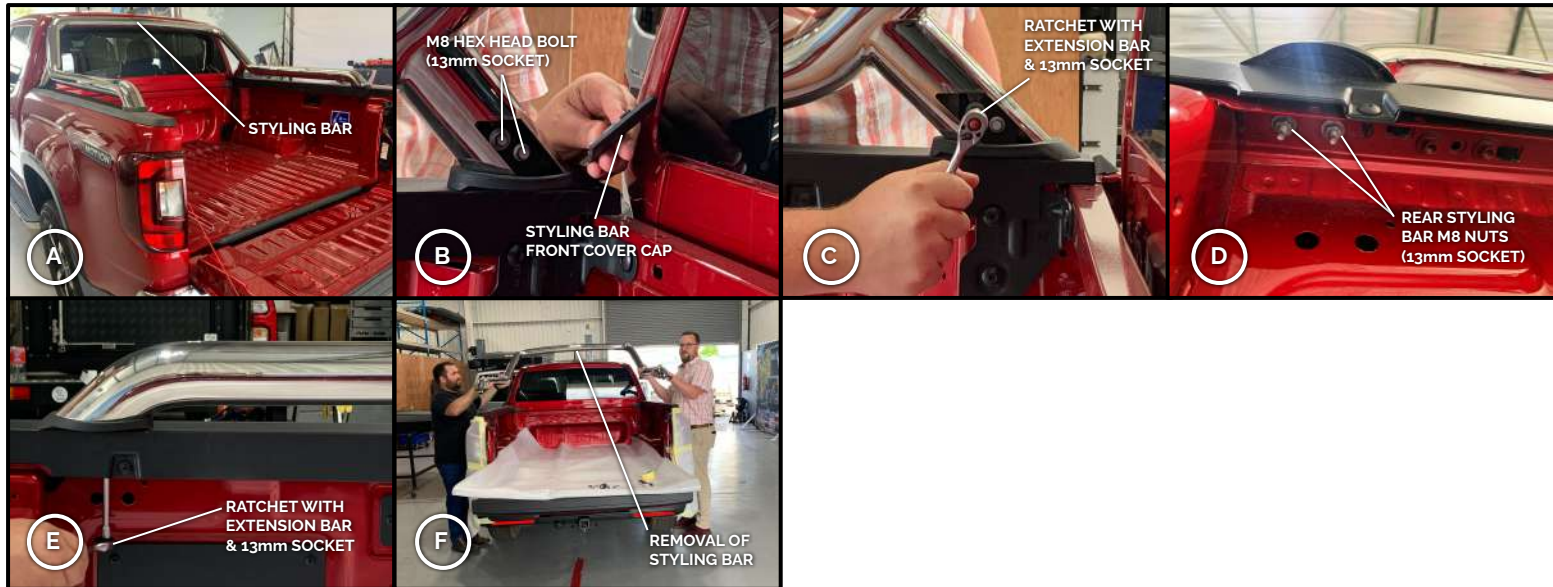


Fig 4. Image A - F

Installation Instructions

3.2

Removing the plastic capping

Figure 5 (Images G-L) below illustrate how to remove the left and right hand side plastic OEM loadbin capping.

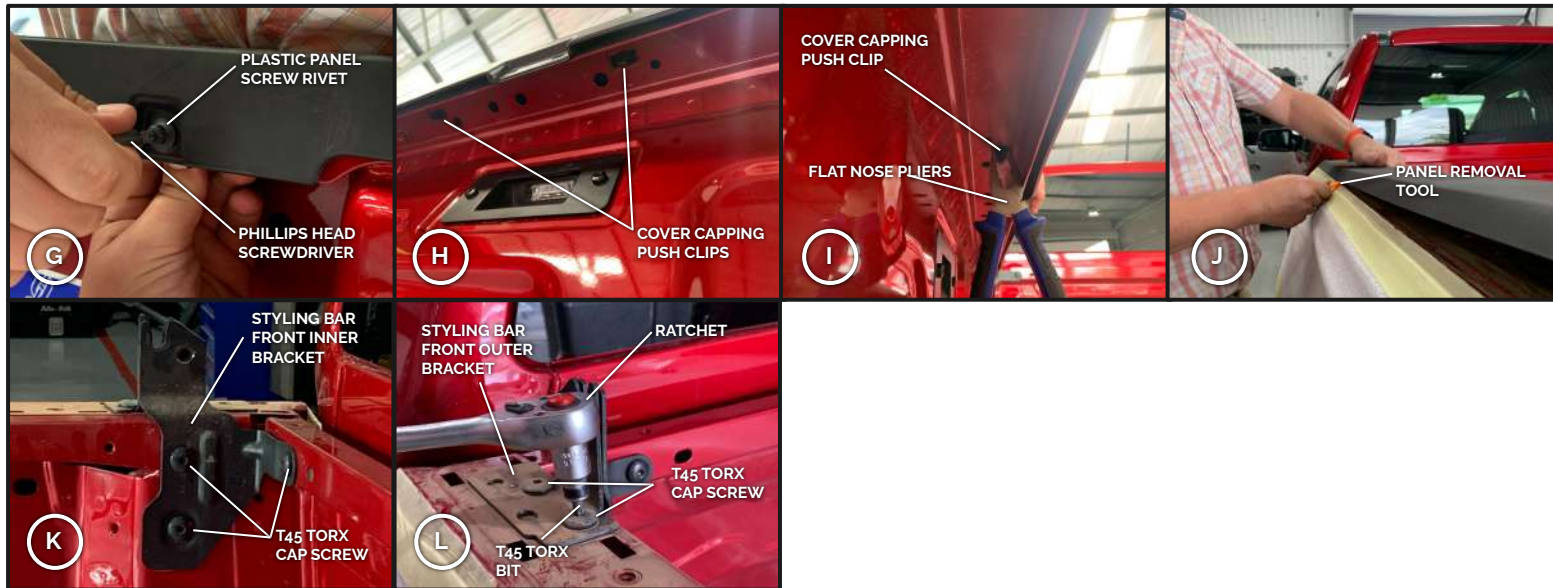


Fig 5. Image G - L

Installation Instructions

3.3

Removing the plastic capping (commercial double cab variant)

Figure 6 (Images M-T) below illustrate how to remove the left and right hand side plastic OEM loadbin capping as well as the tie down rails.

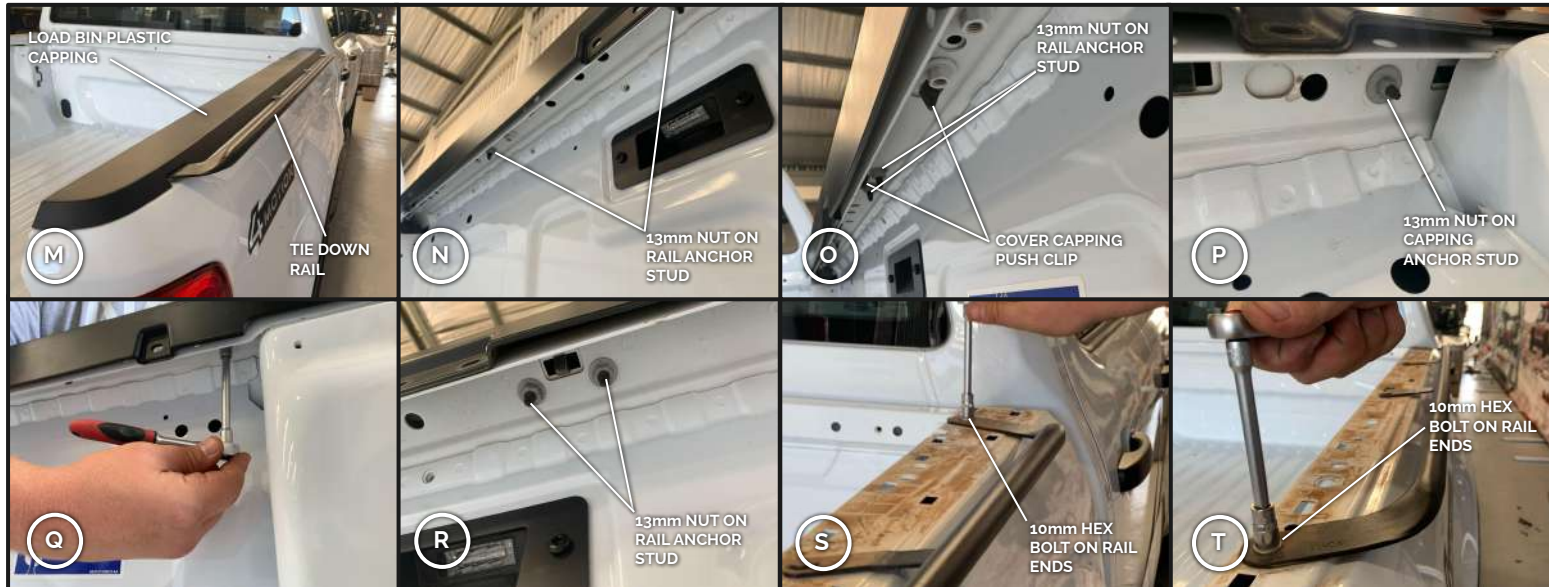


Fig 6. Image M - T

Installation Instructions

4

Installing the Canopy Camper Load Bin Replacement Capping

Figure 7 (Images U-W) below illustrates how to install the load bin capping left, right and front replacement capping.

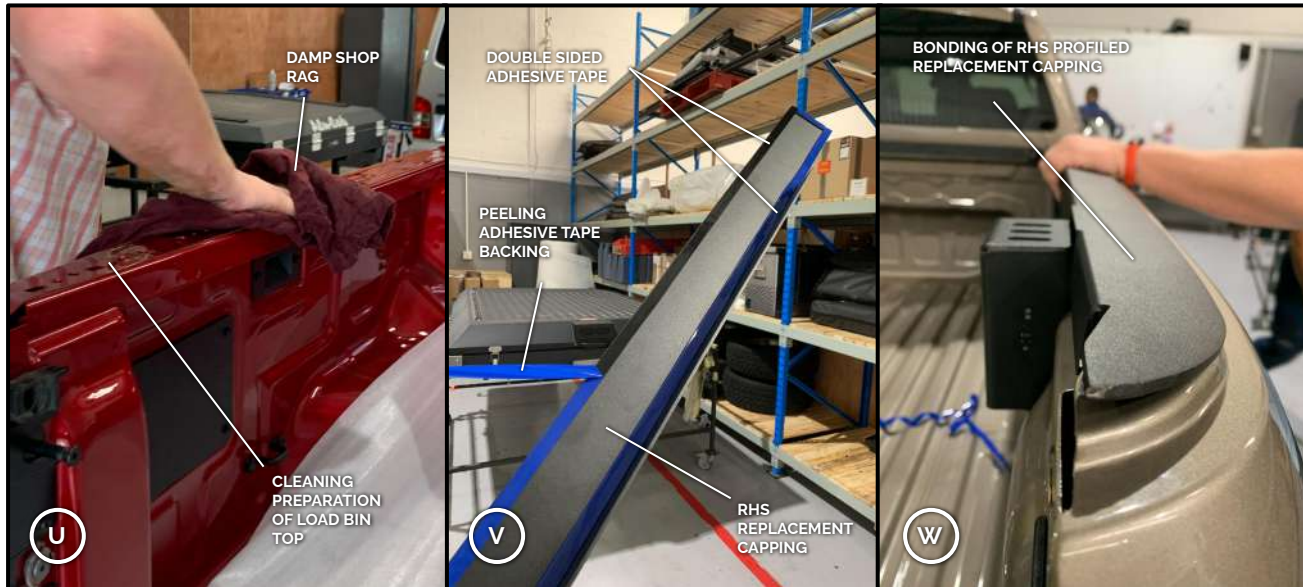


Fig 7. Image U - W

- Please see page 3 for extra information on loadbin sealing.

Installation Instructions

5

Removal of the Tie-down Loops

Figure 8 (Images X-Z) below illustrates illustrates the the position of the front and rear tie-down anchors which will need to be removed with a T45 Torx Bit.

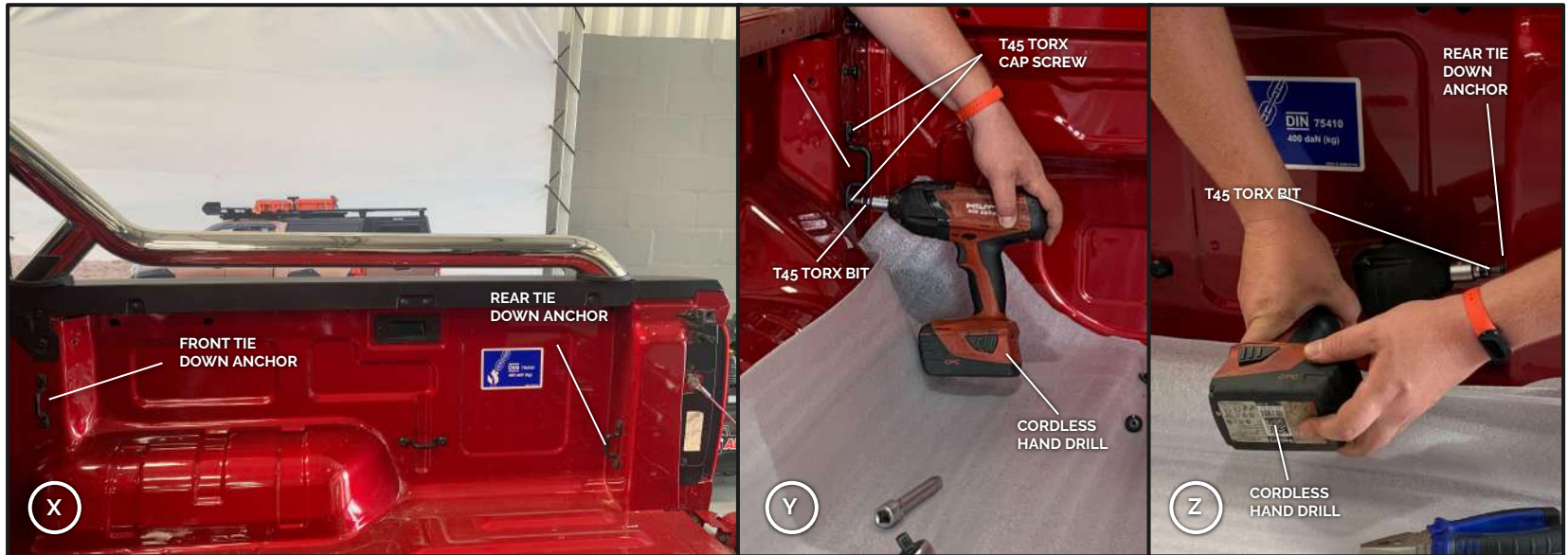


Fig 8. Image X - Z

Installation Instructions

6.1

Front and Rear Canopy/Camper Mounting Brackets

Figures 9 and 10 below illustrate the canopy mounting brackets for the Ford Ranger 2023 Double Cab.

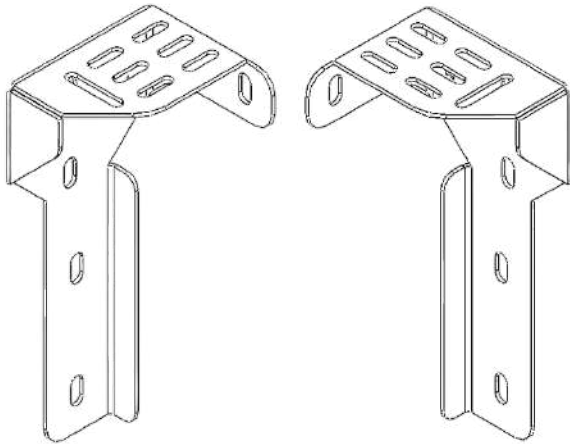


Fig 9. Front Left and Right Mounting Brackets

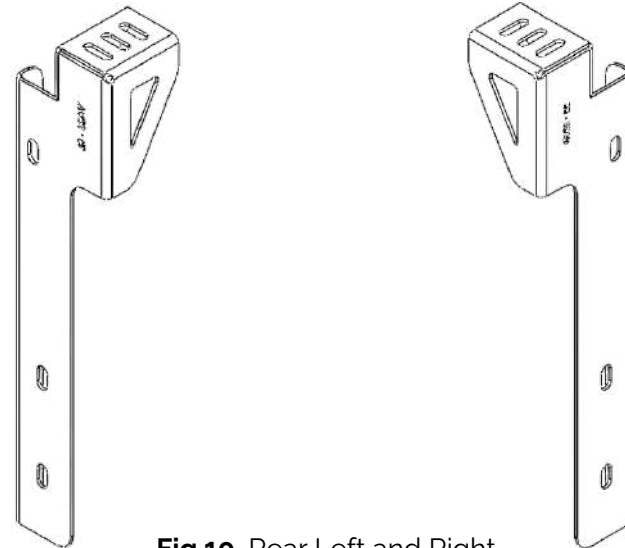


Fig 10. Rear Left and Right Mounting Brackets

Installation Instructions

6.2

Installing Front and Rear Mounting Brackets.

Figure 11 and 12 below illustrates the front right and left mounting bracket position on the load bin respectively.

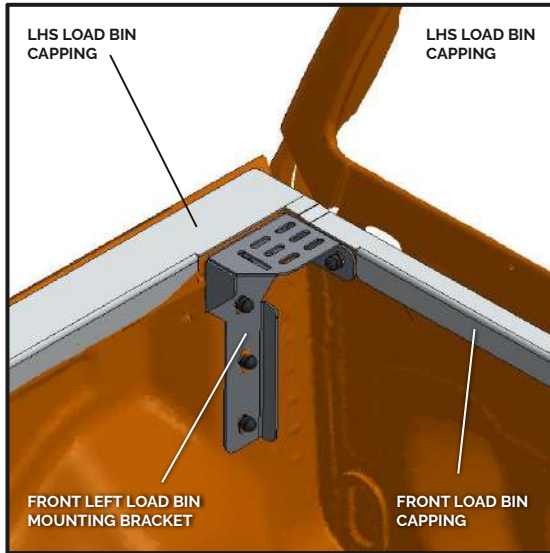


Fig 11. Right Front Mounting Bracket

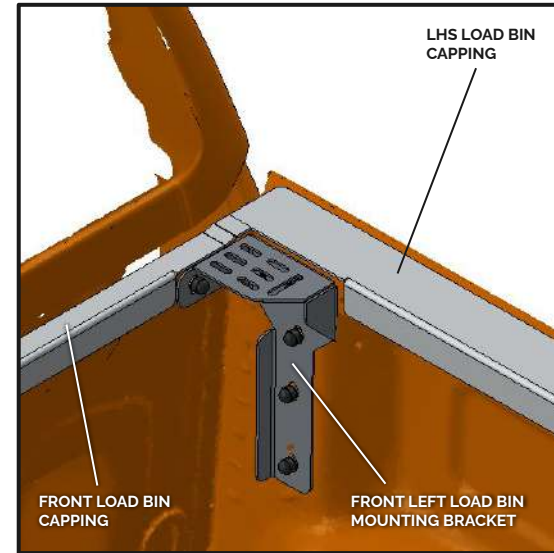


Fig 12. Left Front Mounting Bracket

Installation Instructions

6.3

Installing Front and Rear Mounting Brackets (Special instances). Cargo Rails and Load Bin Liners.

Figure 13A-C below illustrates load bin cargo rails that are present in certain models of vehicles. These need to be removed as they interfere with the loadbin mounting brackets.



Fig 13 A-C. Load Bin Cargo Rails

Installation Instructions

6.4

Installing Front and Rear Mounting Brackets (Special instances). Cargo Rails and Load Bin Liners.

In cases where your vehicle model has the plastic load bin liner included, the portions of the liner where the placement of the canopy mounting brackets are to be fitted to the load bin, will need to be trimmed away with a utility knife. Figure 14A and 14B below illustrates the front and rear right section of the liner that would need to be trimmed.



Fig 14 A. Rear Bracket Liner Trimming Section



Fig 14 A. Front Bracket Liner Trimming Section

Installation Instructions

6.5

Installing Front and Rear Mounting Brackets.

Figure 15 and 16 below illustrates the front right and left mounting bracket position on the load bin respectively.

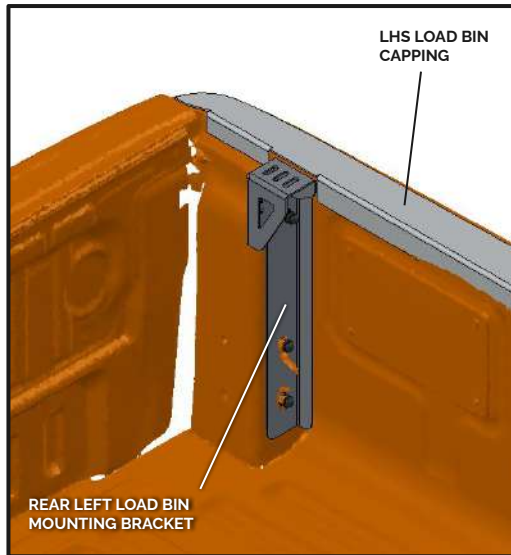


Fig 15. Left Rear Mounting Bracket

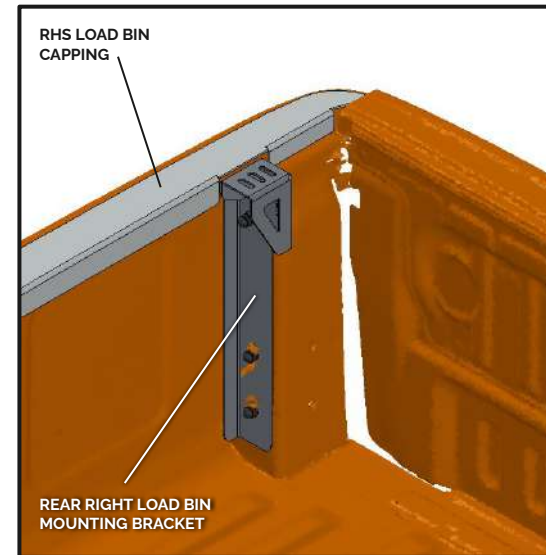
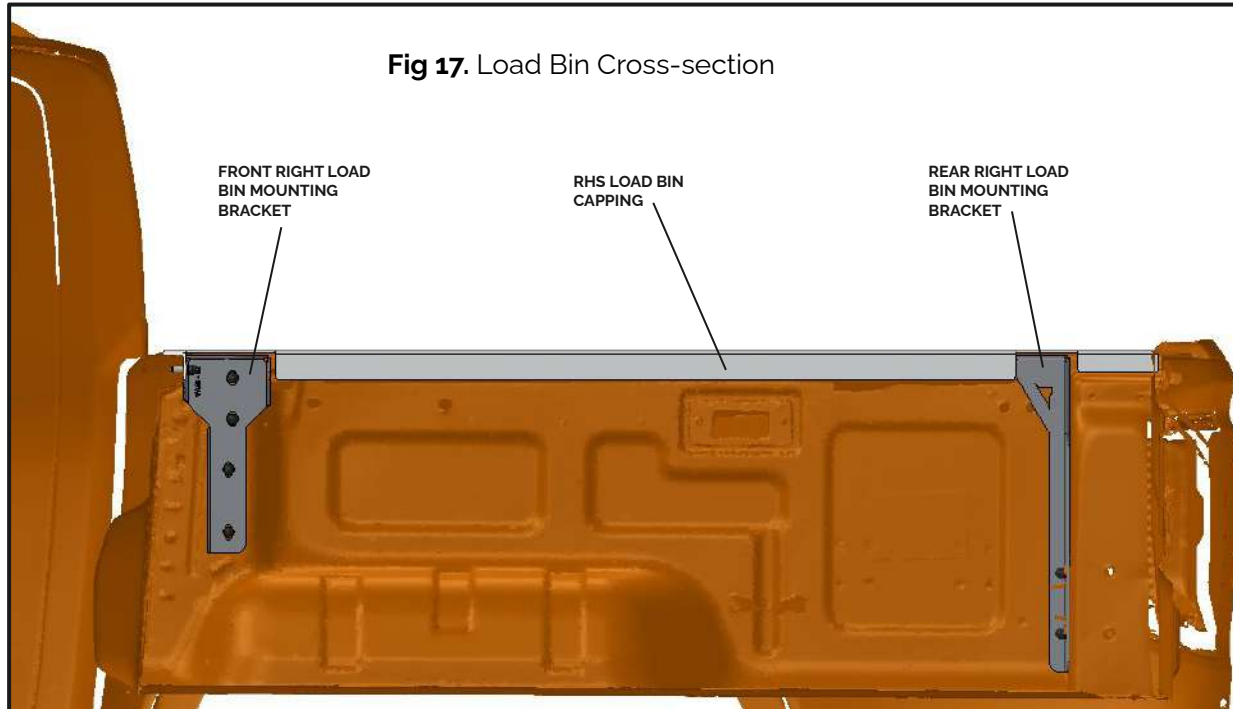


Fig 16. Left Front Mounting Bracket

Installation Instructions

6.6

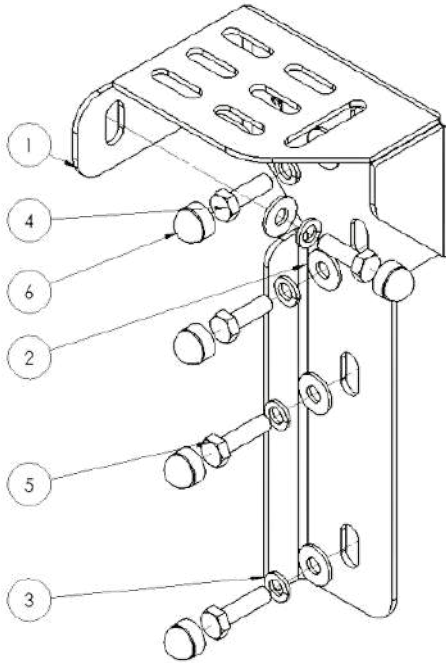
Figure 17 Cross-section of the load bin illustrating front, rear and centre mounting brackets in their respective positions.



Installation Instructions

6.7

Figure 18 below illustrates the Front Right Mounting Bracket Sub-Assembly



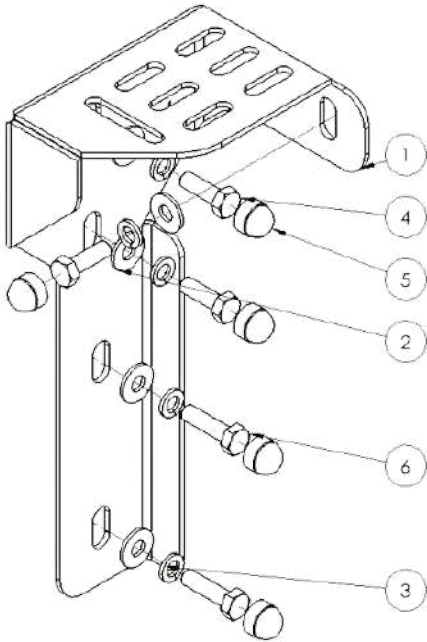
ITEM NO.	PART NUMBER	DESCRIPTION	QTY
1	C2-VA23-M-BKT-P001	FORD RANGER CANOPY FRONT RIGHT MOUNTING BRACKET	1
2	FFW-M8	M8x20mm OVERSIZED WASHER S/S - DIN 9021	5
3	SW-M8	M8 SPRING WASHER S/S	5
4	HEX-M8x25	M8x25 HEX BOLT S/S	3
5	HEX-M8x30	M8x30 HEX BOLT S/S	2
6	NCAP-M8	NUT CAP-o8mm	5

Fig 18. Front Right Mounting Bracket Assembly

Installation Instructions

6.8

Figure 19 below illustrates the Front Left Mounting Bracket Sub-Assembly



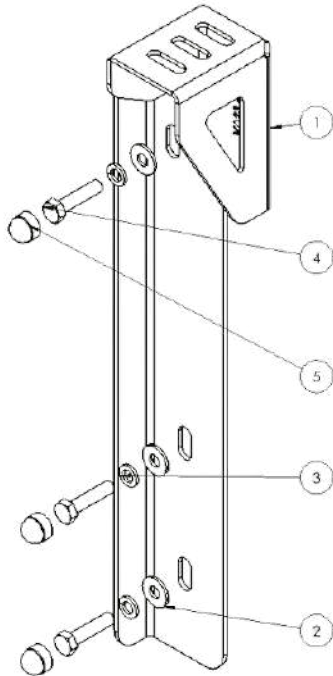
ITEM NO.	PART NUMBER	DESCRIPTION	QTY
1	C2-VA23-M-BKT-P002	FORD RANGER CANOPY FRONT LEFT MOUNTING BRACKET	1
2	FFW-M8	M8x20mm OVERSIZED WASHER S/S - DIN 9021	5
3	SW-M8	M8 SPRING WASHER S/S	5
4	HEX-M8x25	M8x25 HEX BOLT S/S	3
5	NCAP-M8	NUT CAP-08mm	5
6	HEX-M8x30	M8x30 HEX BOLT S/S	2

Fig 19. Front Left Mounting Bracket Assembly

Installation Instructions

6.9

Figure 20 below illustrates the Rear Right Mounting Bracket Sub-Assembly



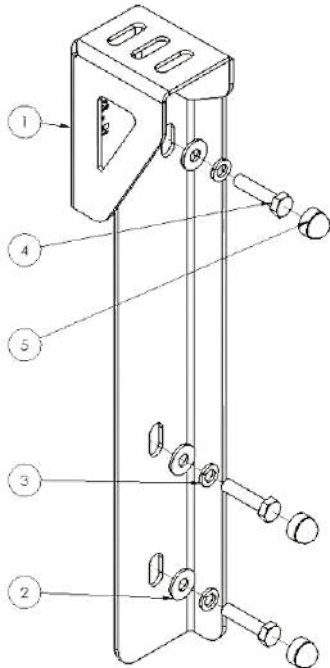
ITEM NO.	PART NUMBER	DESCRIPTION	QTY
1	C2-VA23-M-BKT-P003	FORD RANGER CANOPY REAR RIGHT MOUNTING BRACKET	1
2	FFW-M8	M8x20mm OVERSIZED WASHER S/S - DIN 9021	3
3	SW-M8	M8 SPRING WASHER S/S	3
4	HEX-M8x35	M8x35 HEX BOLT S/S	3
5	NCAP-M8	NUT CAP-o8mm	3

Fig 20. Rear Right Mounting Bracket Assembly

Installation Instructions

6.10

Figure 21 below illustrates the Rear Left Mounting Bracket Sub-Assembly



ITEM NO.	PART NUMBER	DESCRIPTION	QTY
1	C2-VA23-M-BKT-P004	FORD RANGER CANOPY REAR LEFT MOUNTING BRACKET	1
2	FFW-M8	M8x20mm OVERSIZED WASHER S/S - DIN 9021	3
3	SW-M8	M8 SPRING WASHER S/S	3
4	HEX-M8x35	M8x35 HEX BOLT S/S	3
5	NCAP-M8	NUT CAP-o8mm	3

Fig 21. Rear Left Mounting Bracket Assembly

Installation Instructions

7.1

Canopy Camper Installation

Figure 22 below illustrates the first steps in assembling the doorframe and filler kit. M8x20mm Hex bolts need to be slid into the bottom of the doorframe, and bolted to the bottom filler with M8 oversized washers and M8 Nyloc Nuts. The nuts to be covered with M8 nut caps.

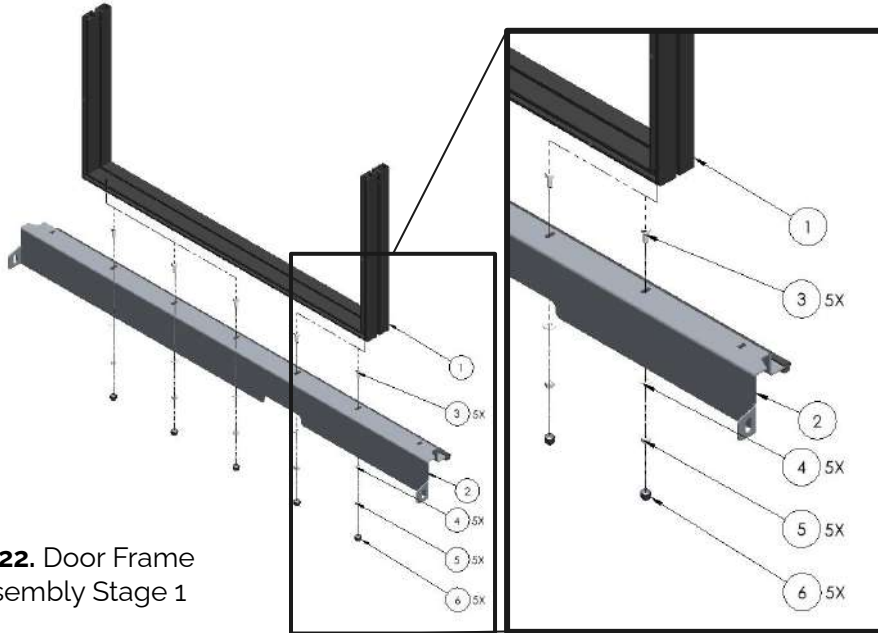


Fig 22. Door Frame Assembly Stage 1

ITEM NO.	PART NUMBER	DESCRIPTION	QTY.
1	162-LWR-DOR-FRA-01	LOWER DOOR FRAME	1
2	FR22-DC-BOT-SUPP-BRKT-01	VA23 CC BOTTOM FILLER	1
3	HEX-M8x20	M8x20 HEX BOLT S/S	5
4	FFW-M8	M8x20mm OVERSIZED WASHER S/S - DIN 9021	5
5	NY-M8	M8 NYLOC NUT S/S	5
6	NCAP-M8	NUT CAP-08mm	5
7	RUB-MDS-(1.35m)	DOOR RUBBER SEAL	1

Fig 23. Table with fasteners required.

Installation Instructions

7.2

Canopy Camper Installation

Figure 26 illustrates the second step in the in the assembly of the rear door frame. Two M8x20 bolts needs to be slid into each side of the nuts lot. A M6 cage nut needs to be clipped into the rectangular cutout on each side of the bottom support brace.

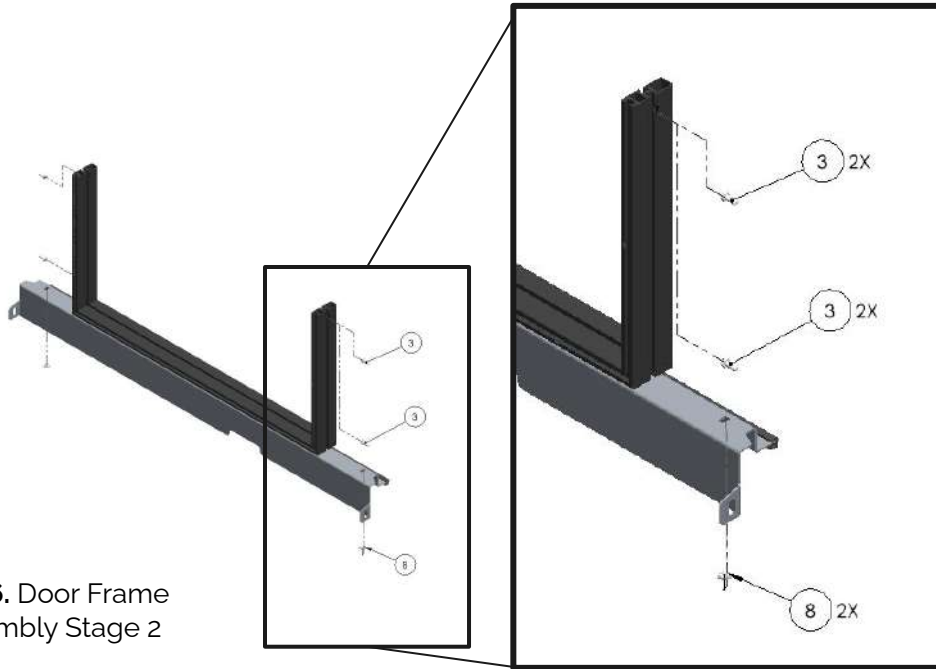


Fig 26. Door Frame Assembly Stage 2

ITEM NO.	PART NUMBER	DESCRIPTION	QTY.
1	162-LWR-DOR-FRA-01	LOWER DOOR FRAME	1
2	FR22-DC-BOT-SUPP-BRKT-01	BOTTOM SUPPORT BRACKET	1
3	HEX-M8x20	M8x20 HEX BOLT S/S	9
4	FFW-M8	M8x20mm OVERSIZED WASHER S/S - DIN 9021	5
5	NY-M8	M8 NYLOC NUT S/S	5
6	NCAP-M8	NUT CAP-08mm	5
7	RUB-MDS-(1.35m)	DOOR RUBBER SEAL	1
8	CAGE-M6	M6 CAGE NUT	2

Fig 27. Table with fasteners required.

Installation Instructions

7.3

Canopy Camper Installation

Figure 28 show the last part of the pre-assembly of the rear filler it before fitting it to the camper. Bolt the 2 filler panels with the open section on the inside. The fasteners required for sideways fistning is 4x M8 Oversized flat washer, 4x M8 Nyloc Nuts and 4x Nut Caps. The downwards fastening uses M6 oversized washer, M6 Button Head Bolt and M6 nut cap.

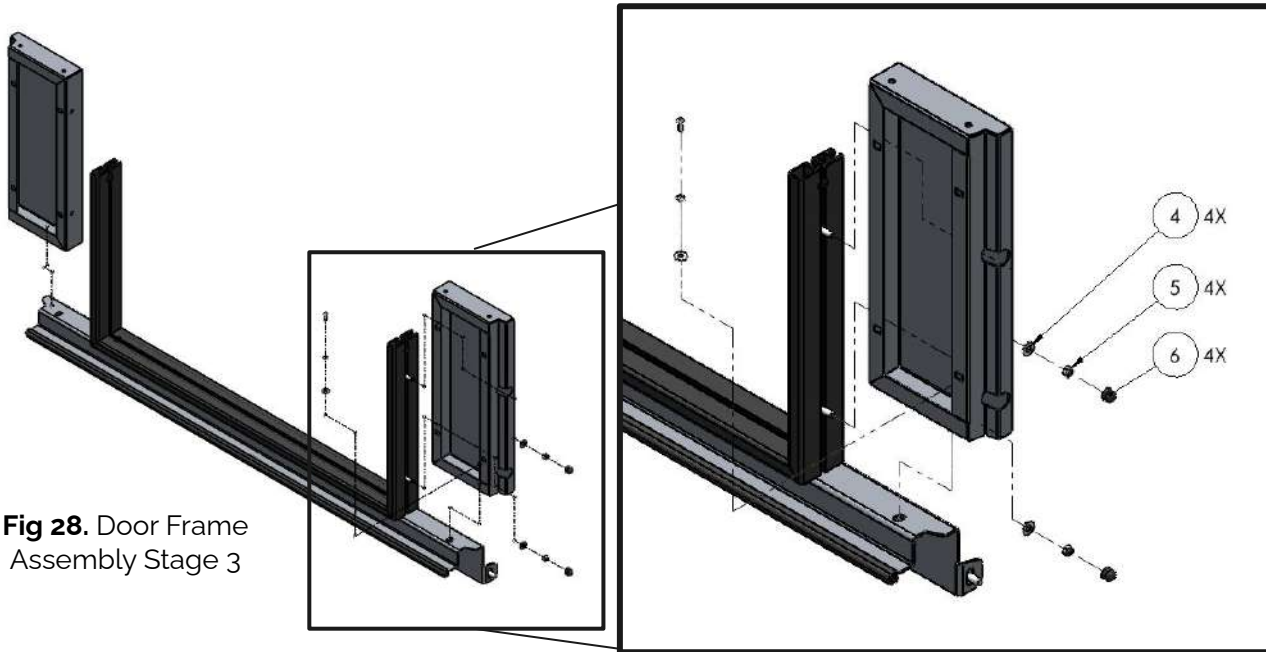


Fig 28. Door Frame Assembly Stage 3

ITEM NO.	PART NUMBER	DESCRIPTION	QTY.
1	162-LWR-DOR-FRA-01	LOWER DOOR FRAME	1
2	FR22-DC-BOT-SUPP-BRKT-01	BOTTOM SUPPORT BRACKET	1
3	HEX-M8x20	M8x20 HEX BOLT S/S	9
4	FFW-M8	M8x20mm OVERSIZED WASHER S/S - DIN 9021	9
5	NY-M8	M8 NYLOC NUT S/S	9
6	NCAP-M8	NUT CAP-Ø8mm	9
7	RUB-MDS-(1.35m)	DOOR RUBBER SEAL	1
8	CAGE-M6	M6 CAGE NUT	2
9	FR22-CC-REAR SIDE FILLER BOX LH	VA23 CC REAR SIDE FILLER BOX LH	1
10	FR22-CC-REAR SIDE FILLER BOX RH	VA23 CC REAR SIDE FILLER BOX RH	1
11	BHD-M6x16	M6x16 B/HD BOLT S/S	1
12	FFW-M6	M6x18mm OVERSIZED WASHER S/S - DIN 9021	1
13	SW-M6	M6 SPRING WASHER S/S	1
14	FFW-M10	M10x30mm OVERSIZED WASHER S/S - DIN 9021	2
15	SW-M10	M10 SPRING WASHER S/S	2
16	HEX-M10x25	M10x25 HEX BOLT S/S	2

Fig 29. Table with fasteners required.

Installation Instructions

7.4

Canopy Camper Installation

Slide in 2x M8x20 bolts into the each side of the camper underneath the 2x rear bottom pieces. The 2x side filler panels gets bolted to the camper via the 2x holes in the top of each panel. The hardware required is 4x M8 oversize washers, 4x M8 Nyloc nuts and M8 nut caps. Secondly angular plates is riveted in position from the side and inside and on the outside, a nut plate is bolted in place with 4x M8 hardware on each side. 2x Above the joint and 2x below the joint.

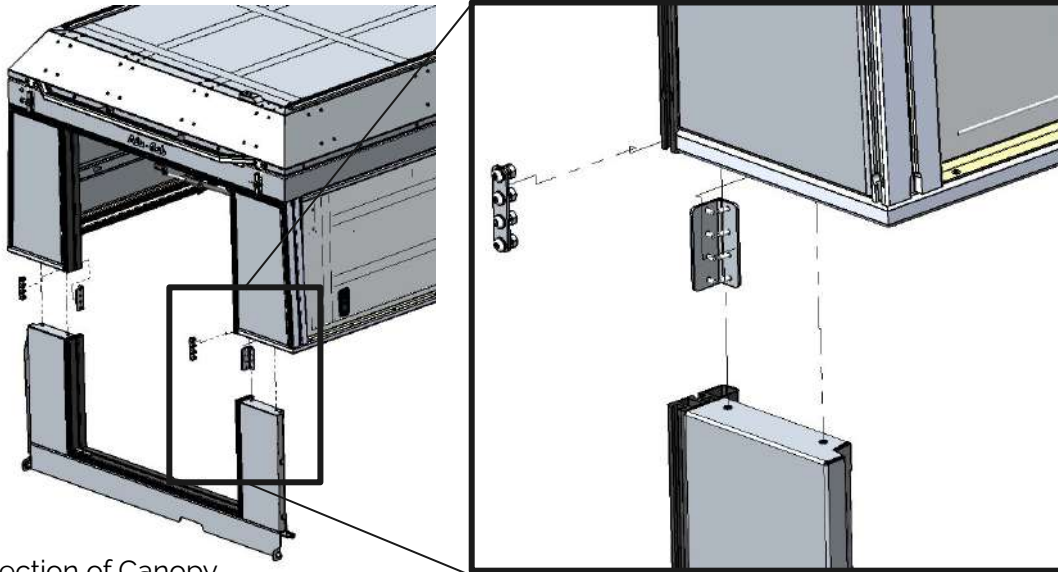


Fig 30. Section of Canopy Camper on Load Bin

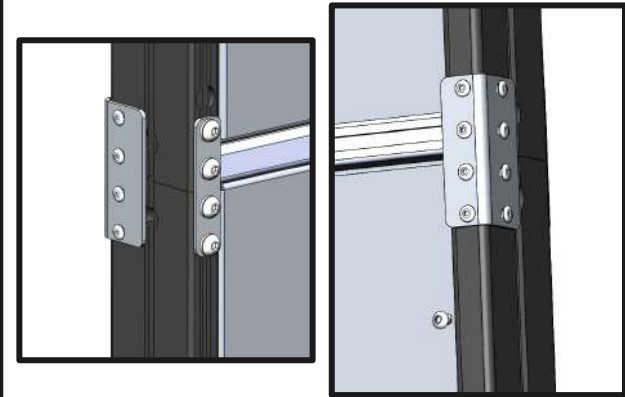


Fig 31. Position of Canopy Camper Mounting Brackets

Installation Instructions

7.5

Rebate and Door Assembly:

Fit rear door rebate with $\varnothing 4.8 \times 15$ sealed countersunk rivets as shown.

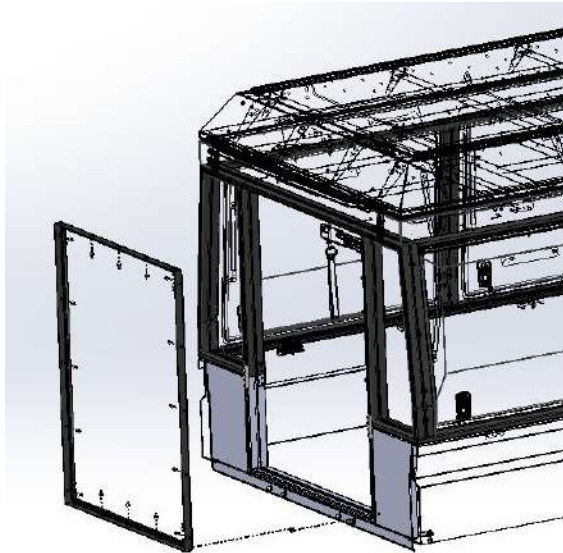


Fig 32. Fitting Door Frame

NOTE: Apply Sikaflex around the outside surface of the rebate and around the rivet holes to seal the rebate.

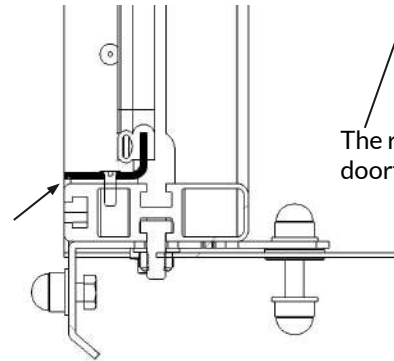
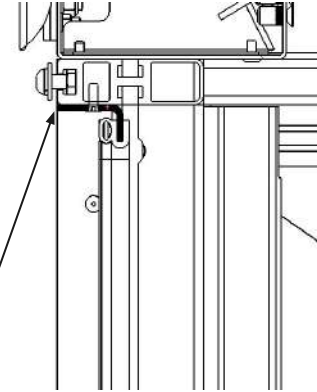


Fig 33. Door Frame Bottom Cross section



The rebate must be fitted flush with the outside of the doorframe and the riveted in place.

Fig 34. Door Frame Top Cross section

Installation Instructions

7.6

Rebate and Door Assembly:

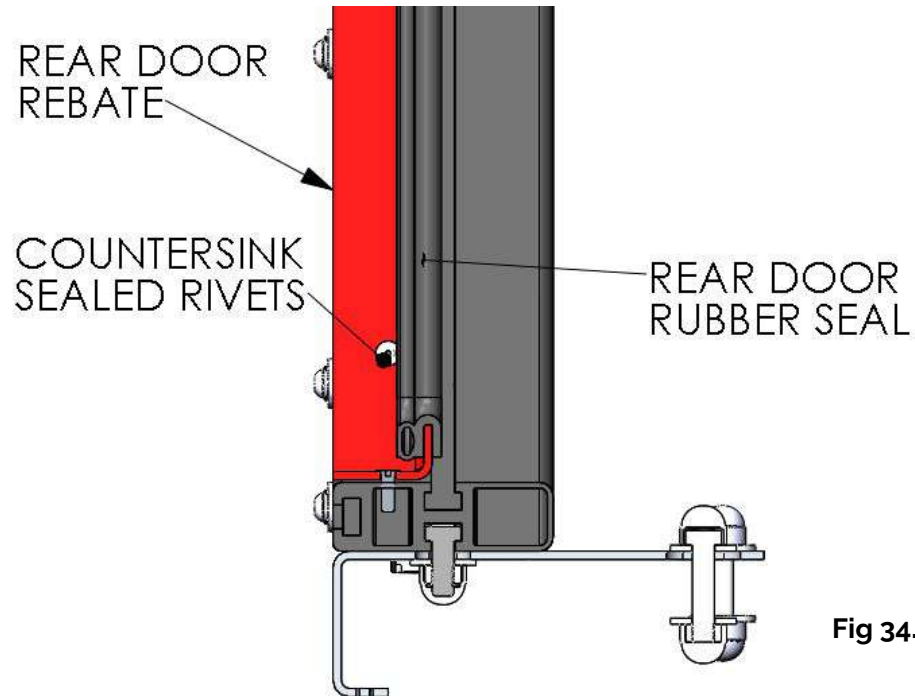


Fig 34. Door Frame Rubber Cross section

Installation Instructions

7.7

Rear door mounting:

Fit rear door by mounting 4 x Butt hinges to camper frame as shown. Centre rear door, top to bottom and the hinge centres left to right. Also mount the door lock to the camper frame.

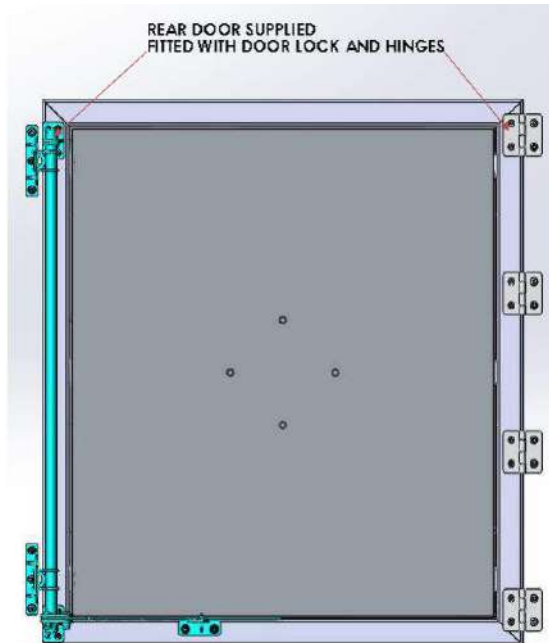


Fig 35. Door Locking Bar & Handle

7

Attach hinges and lock to camper frame:

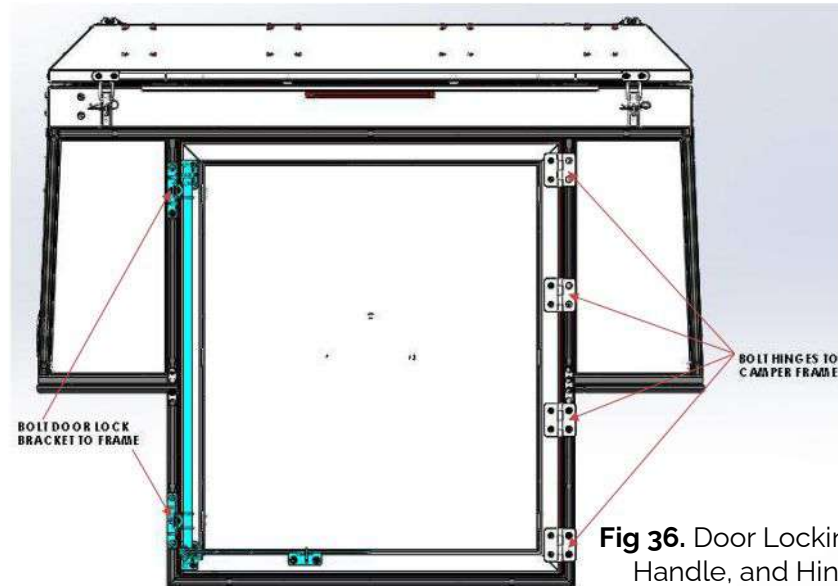
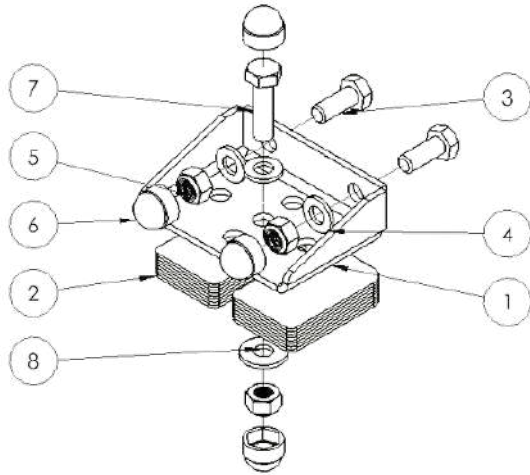


Fig 36. Door Locking Bar, Handle, and Hinges

Installation Instructions

8.1

Figure 32 below illustrates the Canopy Camper Mounting Bracket Sub-Assembly



ITEM NO.	PART NUMBER	DESCRIPTION	QTY
1	AC001-CAN-MNT-BR KT-01	CANOPY MOUNTING BRACKET	1
2	AC001-STD-SHIM-01	STANDARD SHIM 01	8
3	HEX-M8x20	M8x20 HEX BOLT S/S	2
4	FW-M8	M8x16mm FLAT WASHER S/S - DIN 125	3
5	NY-M8	M8 NYLOC NUT S/S	3
6	NCAP-M8	NUT CAP-08mm	4
7	HEX-M8x30	M8x30 HEX BOLT S/S	1
8	FFW-M8	M8x20mm OVERSIZED WASHER S/S - DIN 9021	1

Fig 37. Canopy Camper
 Mounting Bracket
 Assembly

Installation Instructions

8.2

Canopy Camper Installation

Figure 38 below illustrates the alignment of the Canopy Camper from front to back and Figure 39 illustrates the position of the canopy-to-load-bin mounting bracket positions.

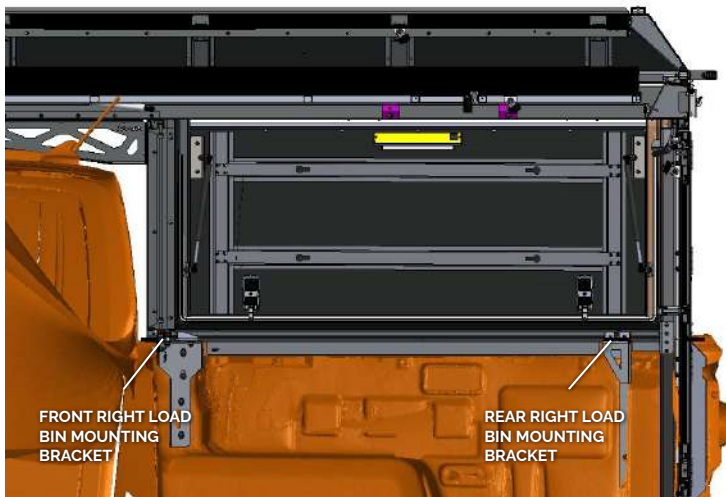


Fig 38. Section of Canopy Camper on Load Bin

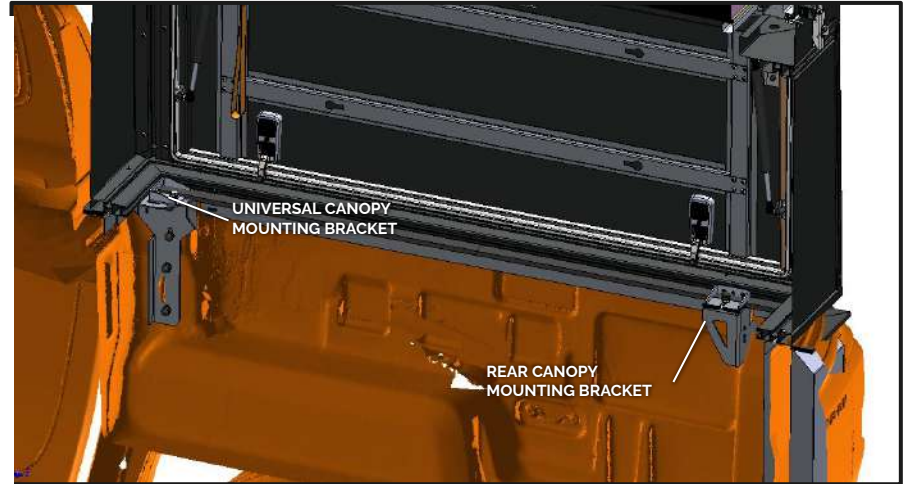


Fig 39. Position of Canopy Camper Mounting Brackets

Installation Instructions

8.3

Canopy Camper Installation

Figures 40 and 41 below illustrate how the canopy mounting brackets key into the nut-slots in the base frame of the canopy and how to use the shim plates for completing the mounting of the Ford Ranger Double Cab 2023 Canopy Camper.

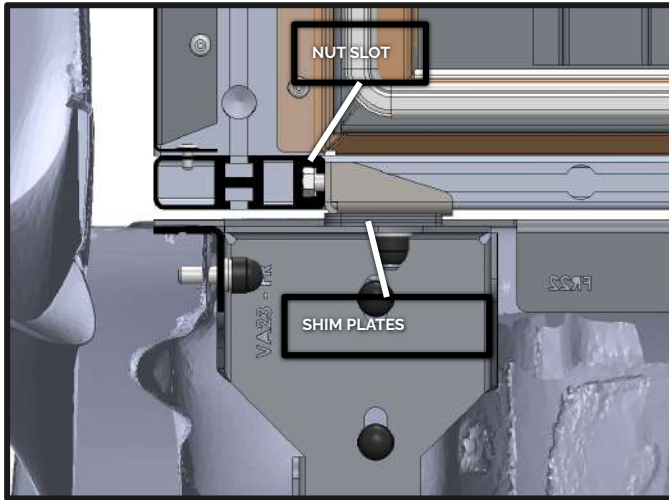


Fig 40. Universal Canopy Mounting Bracket

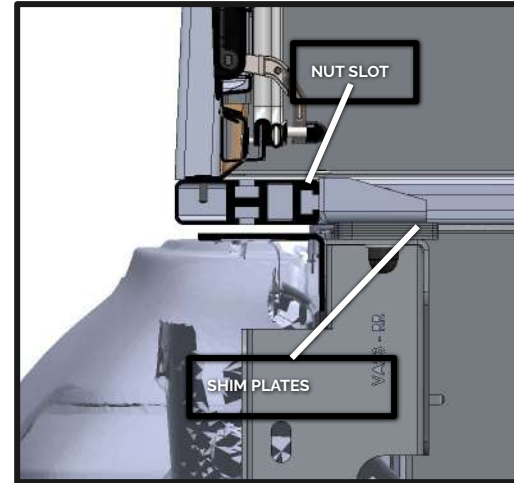


Fig 41. Canopy Mounting Bracket

Installation Instructions

9

Fit Rear Mollé Plate on Canopy Camper.

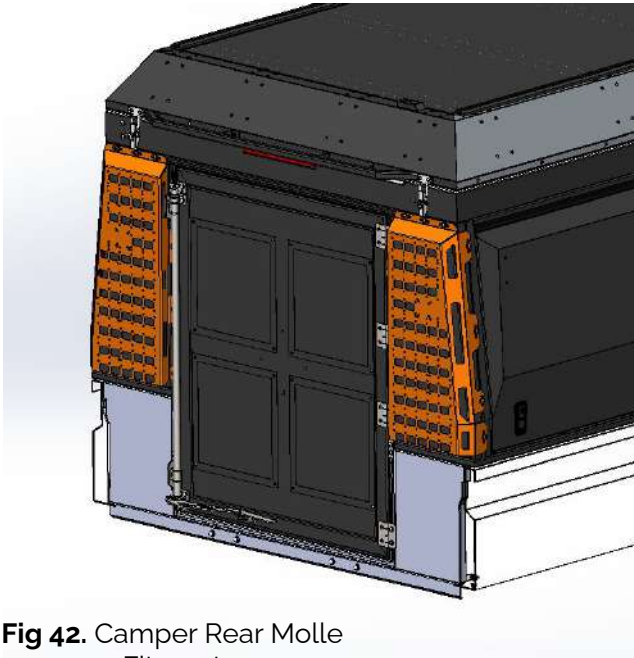
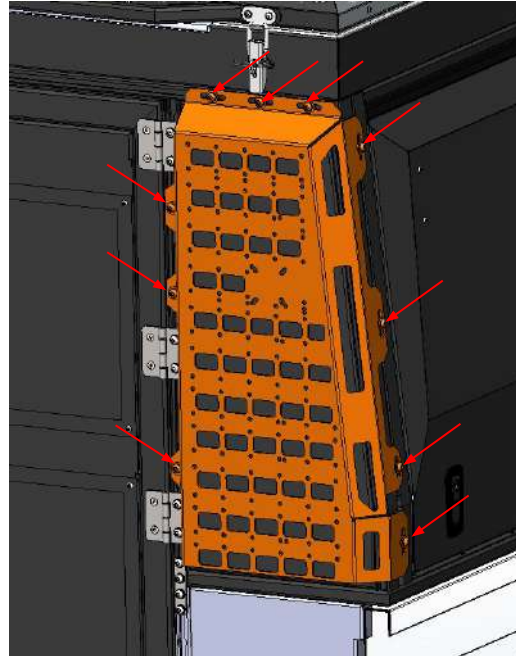


Fig 42. Camper Rear Molle Fitment



Each Mollé Plate is bolted down by 10 bolts. Three bolts at the top, 3 on the door side and 4 on the outside edge of the camper.

Each bolt consists of an M8 Hex Nut placed in the nut slot, The the Mollé plate, followed by a M8 oversized washer, M8 spring washer and M8x16mm Button head bolt.

Fig 42. Camper Rear Molle Fastening

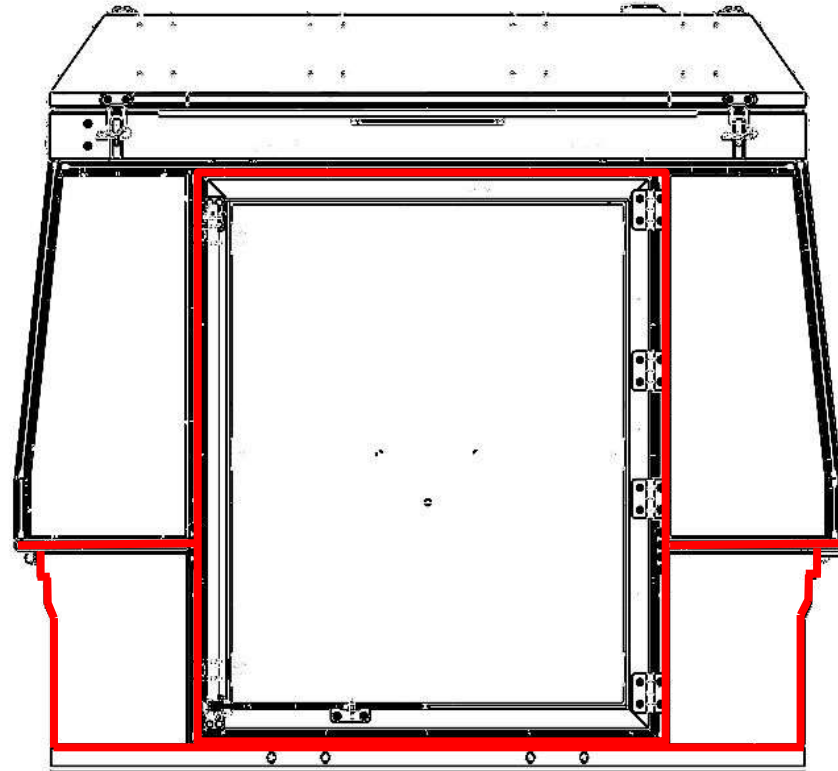
Installation Instructions

10.1

Sealing canopy to base:

Use Sikaflex where there are shut / joining lines between parts that are not welded

Red line indicate when Sikaflex needs to be applied to seal between assembled parts



Installation Instructions

10.2

Sealing canopy to base:

Use Sikaflex where there are shut / joining lines between parts that are not welded.



Dip one's finger into soapy water and smooth over the sealant by gently running a finger over the bead.

Installation Instructions

10.3

OPTIONAL Sealing canopy to vehicle body:

Use Sikaflex between the Canopy Camper and the vehicle body



Ensure that the rest of the vehicle is covered against any extra sealant or spillage when sealing the canopy camper to the vehicle's body.

NOTE: This step is only done at the customer's approval.



Use Turpentine and a cloth to clean away any extra sealant or mess

Disclaimer

All rights reserved. No part of this website may be reproduced, translated, stored in a retrieval system, or transmitted, in any form or by any means, electronic, mechanical, photocopying, recording or otherwise, without prior written permission of the owner.

Review all instructions information carefully before installation.

Any damages, direct or incidental to the installer and/or property due to incorrect installation of any parts are the responsibility of the installer. Due to the various applications and fitment options available, the responsibility lies with the user to ensure all mounting points are secure and tight before every trip.

If unsure, consult with your Distributor regarding the operations of our products.

Users are advised to be mindful of the load they are carrying and drive in accordance with road conditions.

WARNING

Always wear appropriate PPE (Personal protection equipment) when fitting our products. Although the mounting kit is designed to be DIY, if you have any doubts or concerns, contact an accredited fitment centre to carry out the work. Alu-Cab will not be liable for any injury to persons, and/or damage to products and/or vehicles.

While Alu-Cab Holdings takes reasonable measures to ensure that the contents of this Website are accurate and complete, Alu-Cab Holdings makes no representations or warranties, whether express or implied, as to the quality, timeliness, operation, integrity, availability or functionality of this Website or as to the accuracy, completeness or reliability of any information on this Website. Alu-Cab Holdings reserves the right to make changes, corrections and/or improvements to the information and to the products and programs described in such information, at any time without notice.

Alu-Cab Holdings will use reasonable endeavours to maintain the availability of the Website, except during scheduled maintenance periods, and reserves the right to discontinue providing the Website or the service or any part thereof with or without notice to you. Any person who accesses this Website or relies on this Website or on the information contained in this Website does so at his or her own risk.

Occasionally, at our discretion, we may include or offer third-party products or services on our website. These third-party sites have separate and independent privacy policies. We therefore have no responsibility or liability for the content and activities of these linked sites. Nonetheless, we seek to protect the integrity of our site and welcome any feedback about these sites.