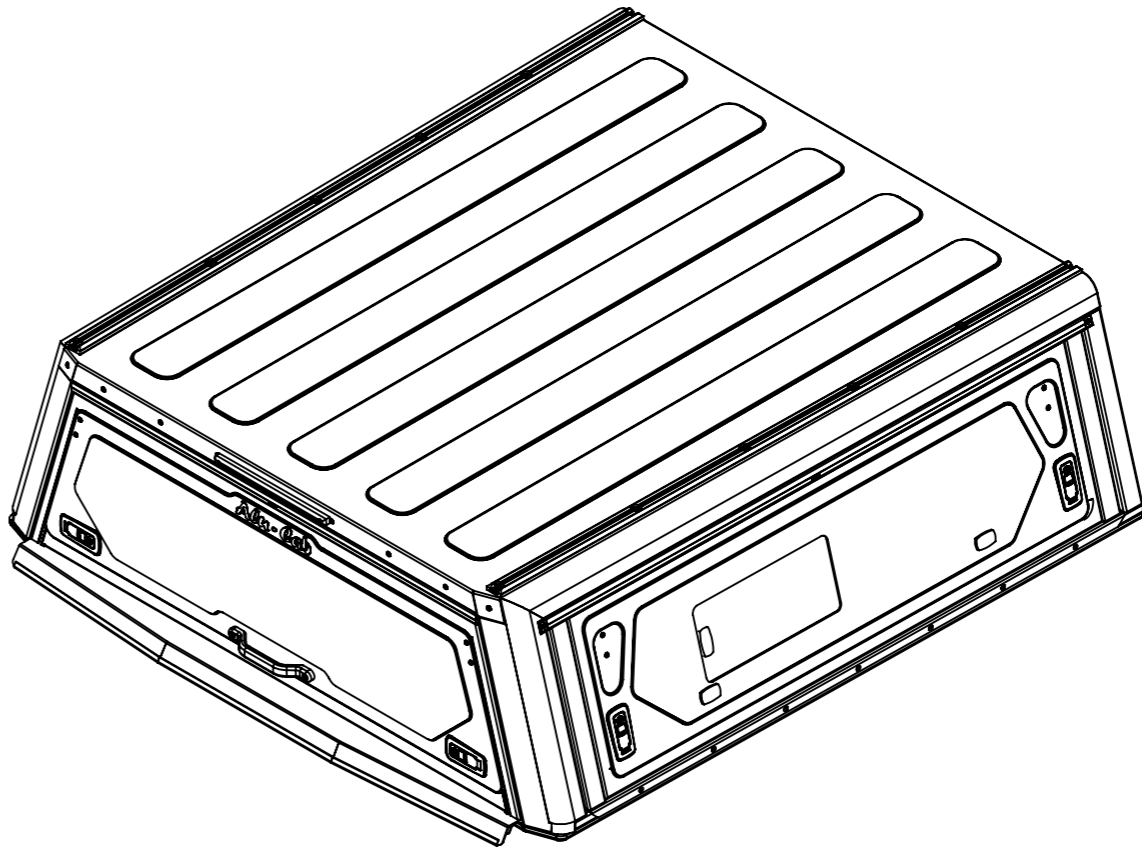
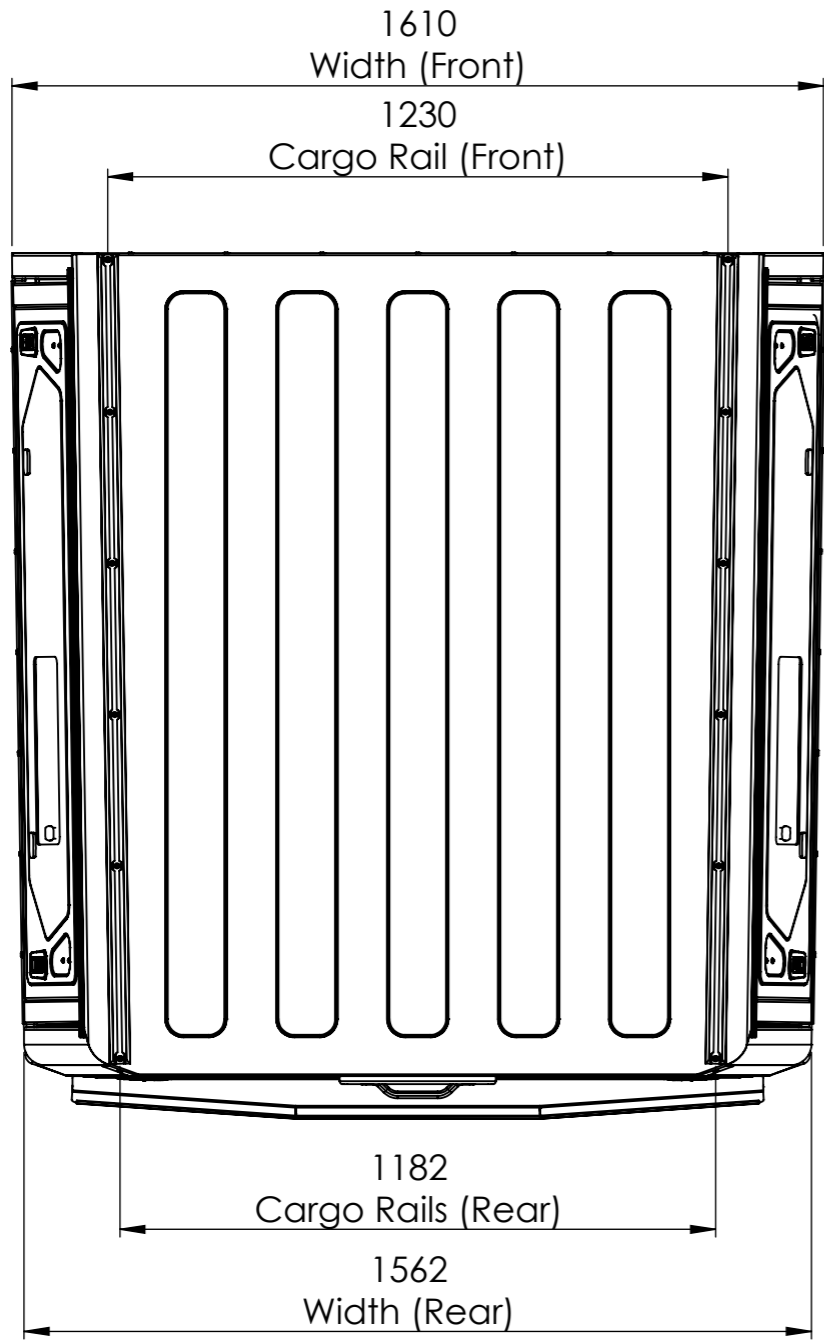
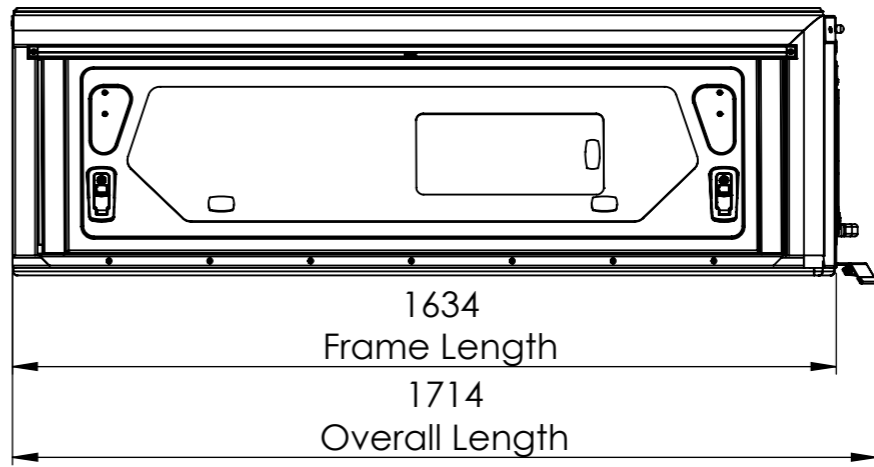
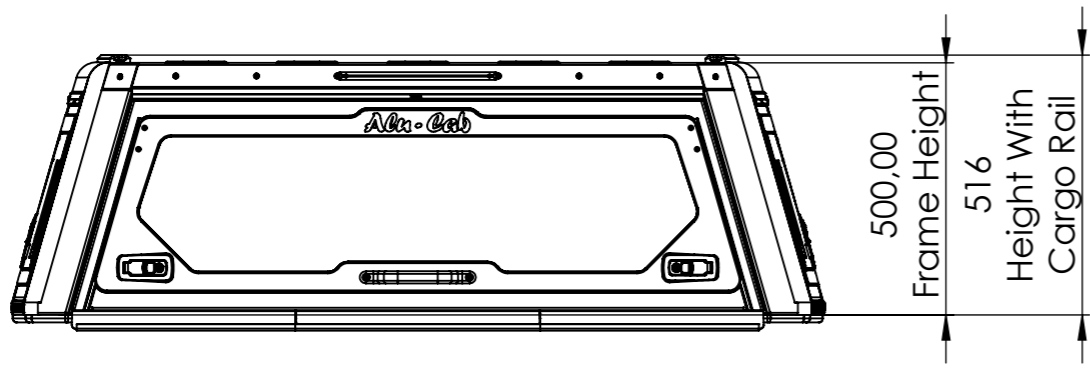


GENERAL ARRANGEMENT ONLY



TOLERANCES TO ASSUME UNLESS INDICATED OTHERWISE		MATERIAL DESCRIPTION:			MATERIAL THICKNESS (mm):		
NOM DIMENSION RANGE (mm)		TOLERANCE		DESCRIPTION:		SHEET:	
0.50	-	3.00	± 0.10	TACOMA SB16 MAIN ASSEMBLY		A3	
3.00	-	6.00	± 0.15	PROJECT:		SCALE:	
6.00	-	30	± 0.20	C2-SB-TT16		1:15	
30	-	120	± 0.30	DRAWN BY:		SHEET 1 of 1	
120	-	400	± 0.50	Gideon Muller			
400	-	1000	± 1.00	DATE:		DRAWING NO.	
1000	-	1000<	± 2.00	2022-09-08			
				THE INFORMATION CONTAINED WITHIN THIS DOCUMENT IS THE INTELLECTUAL PROPERTY OF ALU-CAB (PTY) LTD		C2-SB-TT16-A00-GA1	REV 00

