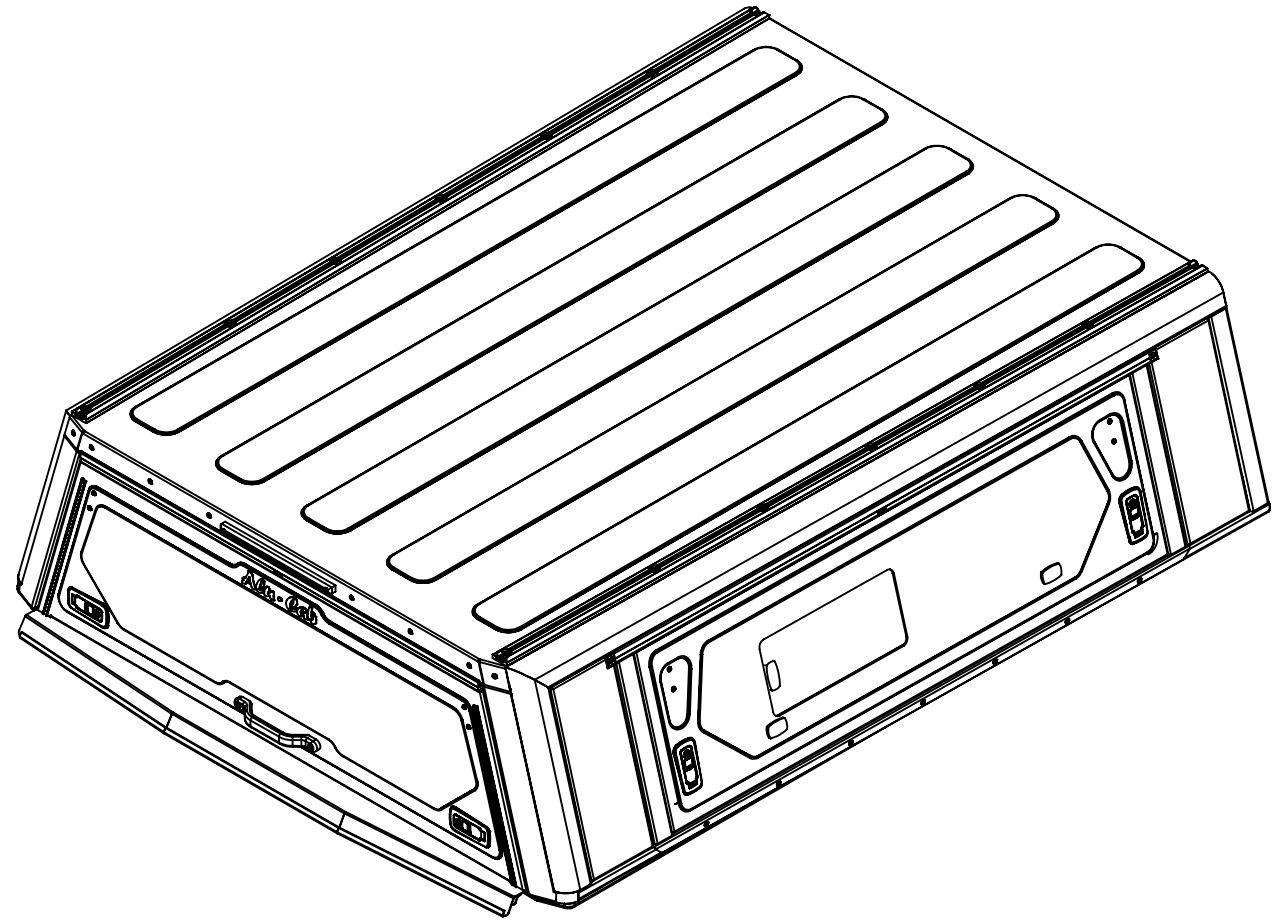
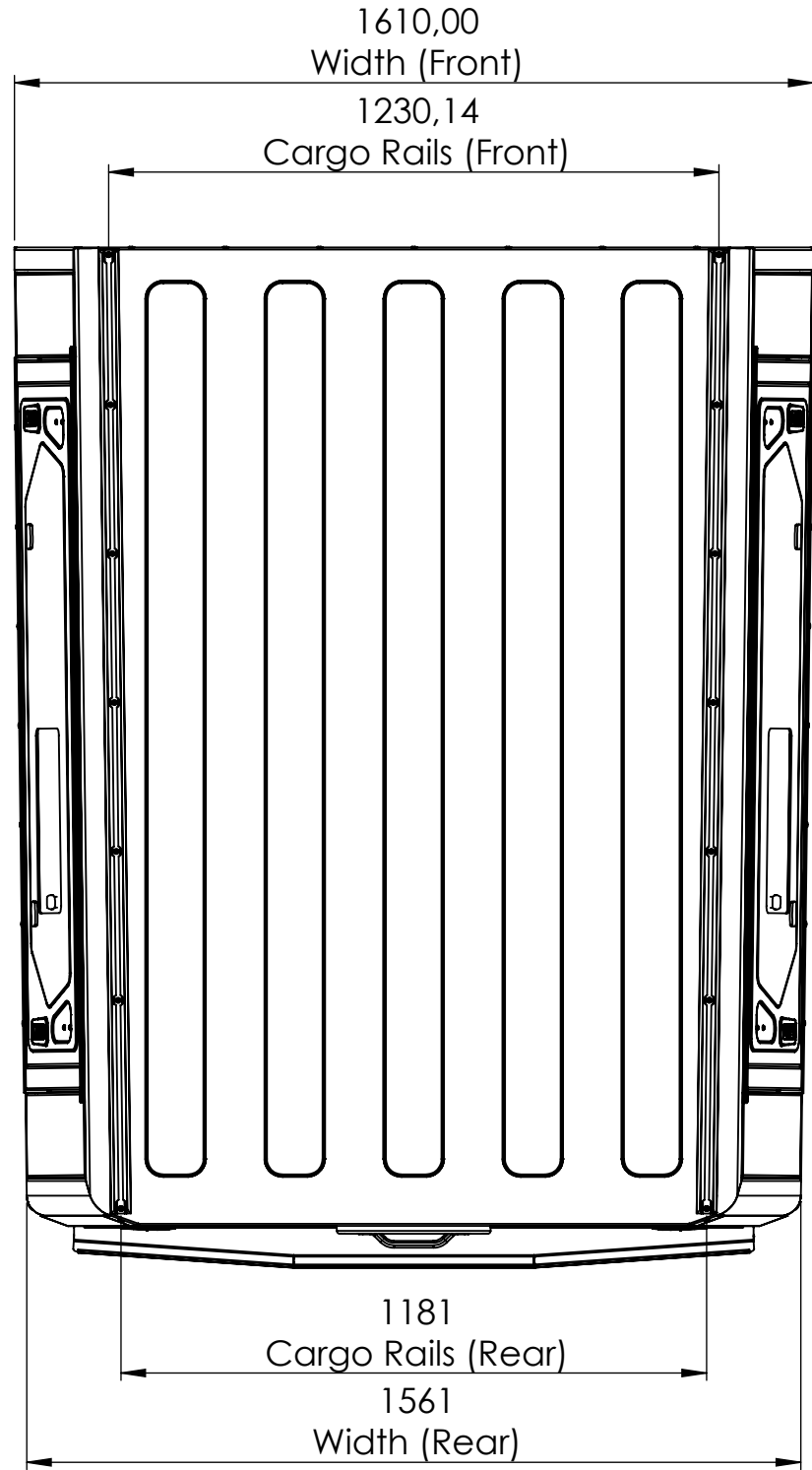
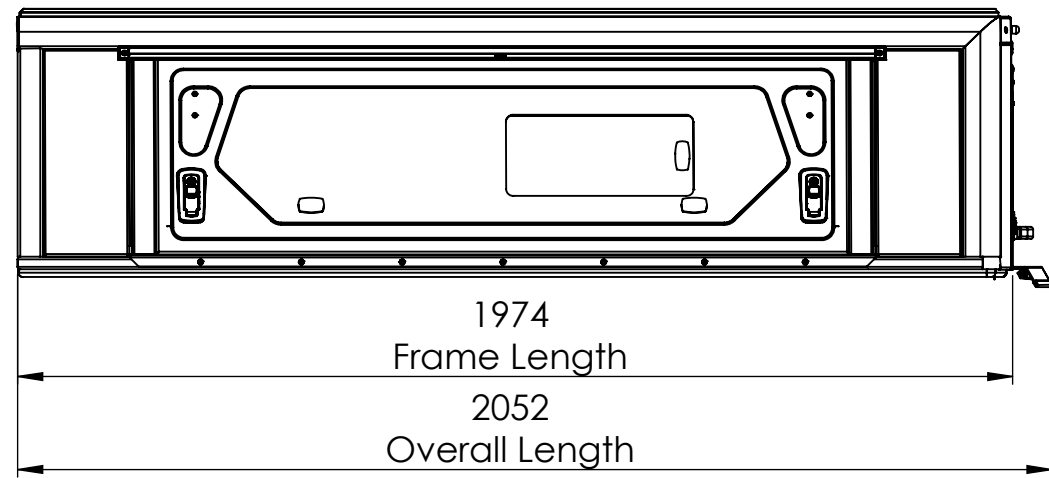
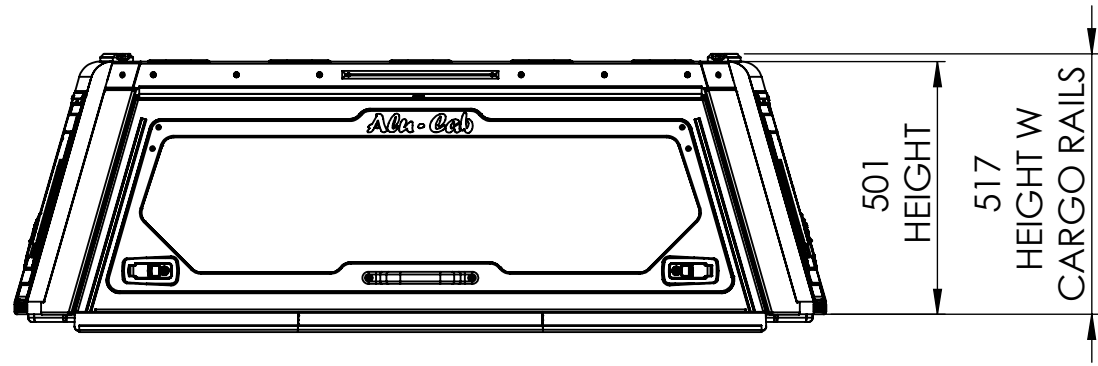


GENERAL ARRANGEMENT ONLY

ASSY INFO	MASS (kg):	81723.7
	BONDED:	
	FASTENED:	
FINISH	WELDED:	
	TUMBLED:	
	BRUSHED:	
	POWDER:	
	SPRAY:	
	COLOUR:	N/A



TOLERANCES TO ASSUME UNLESS INDICATED OTHERWISE		
NOM DIMENSION	RANGE (mm)	TOLERANCE
0.50	- 3.00	± 0.10
3.00	- 6.00	± 0.15
6.00	- 30	± 0.20
30	- 120	± 0.30
120	- 400	± 0.50
400	- 1000	± 1.00
1000	- 1000<	± 2.00

DESCRIPTION: TACOMA LB16 MAIN ASSEMBLY	
PROJECT: C2-LB-TT16	DATE: 2022-09-08
DRAWN BY: Gideon Muller	
THE INFORMATION CONTAINED WITHIN THIS DOCUMENT IS THE INTELLECTUAL PROPERTY OF ALU-CAB (PTY) LTD	

SHEET: A3	SHEET 1 of 1	
SCALE: 1:15		
DRAWING NO. C2-LB-TT16-A00-GA1		REV

REV.	DESCRIPTION	DATE	APPROVED
1			
2			
3			
4			
5			