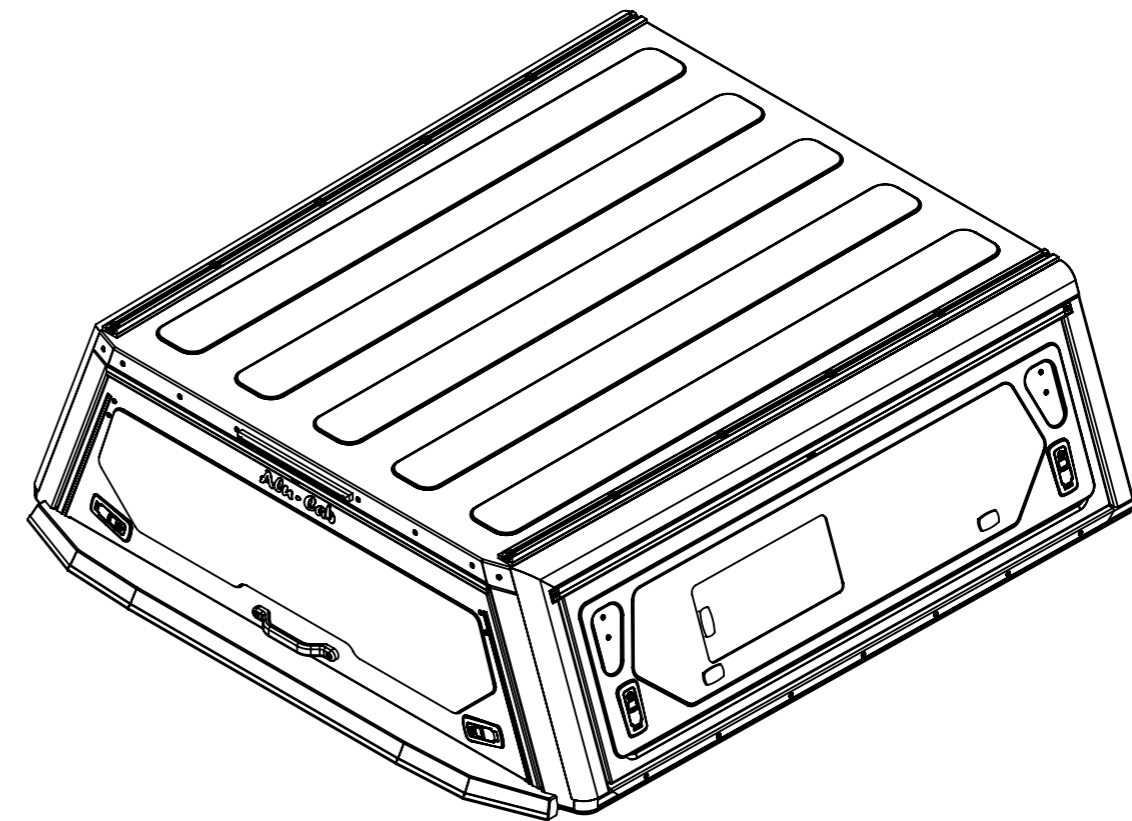
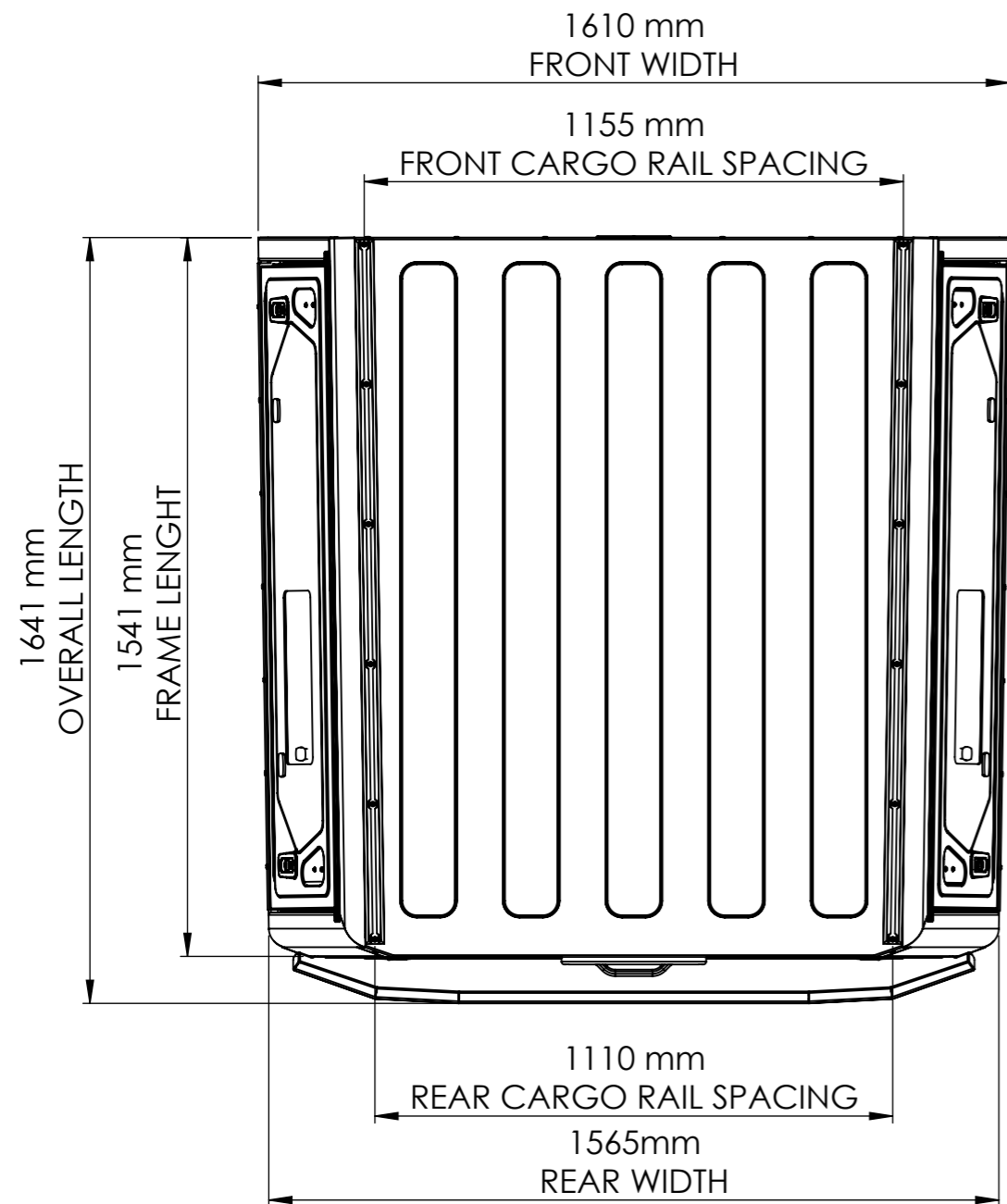
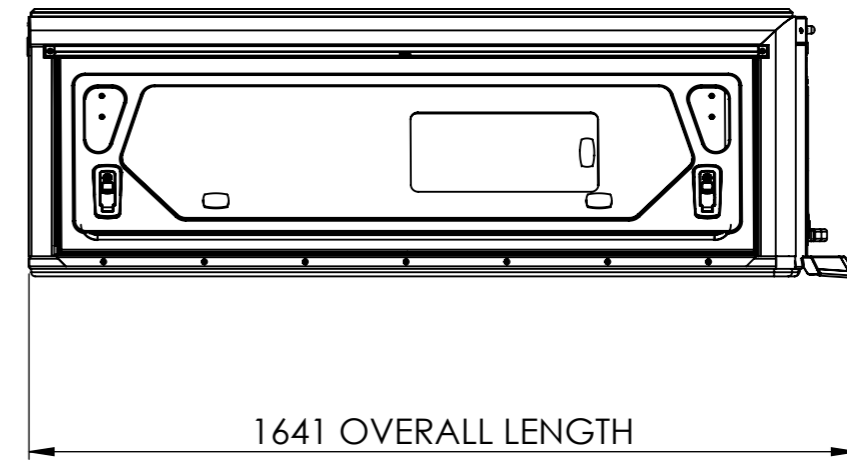
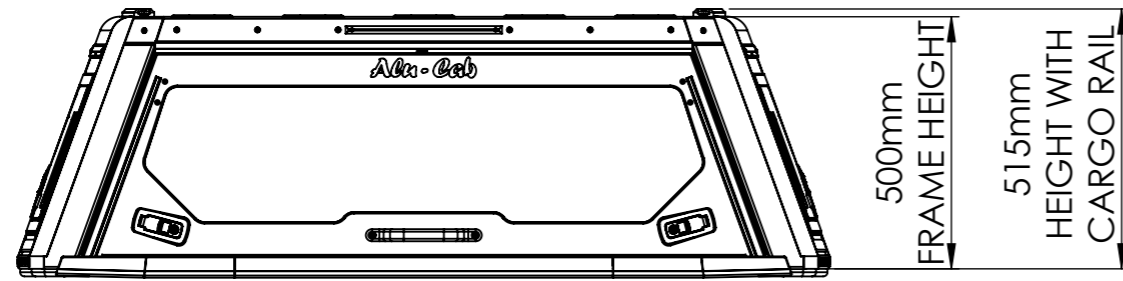



# GENERAL ARRANGEMENT ONLY



TOLERANCES TO ASSUME UNLESS INDICATED OTHERWISE		MATERIAL DESCRIPTION:		MATERIAL THICKNESS (mm):	
NOM DIMENSION	RANGE (mm)	TOLERANCE	DESCRIPTION:		
0.50	- 3.00	± 0.10	FORD RANGER 2022 MAIN ASSEMBLY		
3.00	- 6.00	± 0.15	PROJECT:		
6.00	- 30	± 0.20	DRAWN BY: Jac Braamse		
30	- 120	± 0.30	DATE: 2023-02-24		
120	- 400	± 0.50	DRAWING NO. C2-D-FR22-A00-GA		
400	- 1000	± 1.00	SHEET: A3		
1000	- 1000<	± 2.00	SCALE: 1:15		
			SHEET 1 of 1		
					
			THE INFORMATION CONTAINED WITHIN THIS DOCUMENT IS THE INTELLECTUAL PROPERTY OF ALU-CAB (PTY) LTD		
			REV 00		