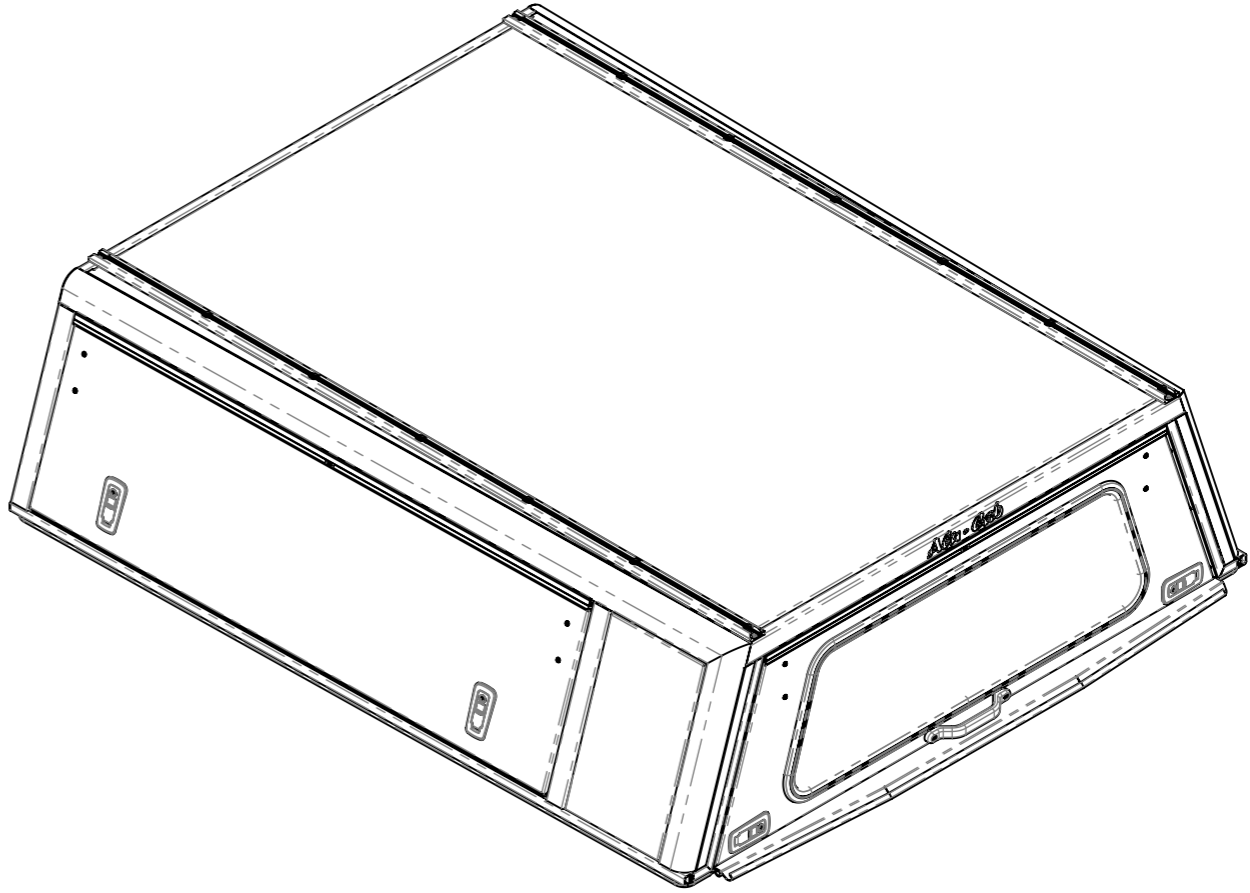
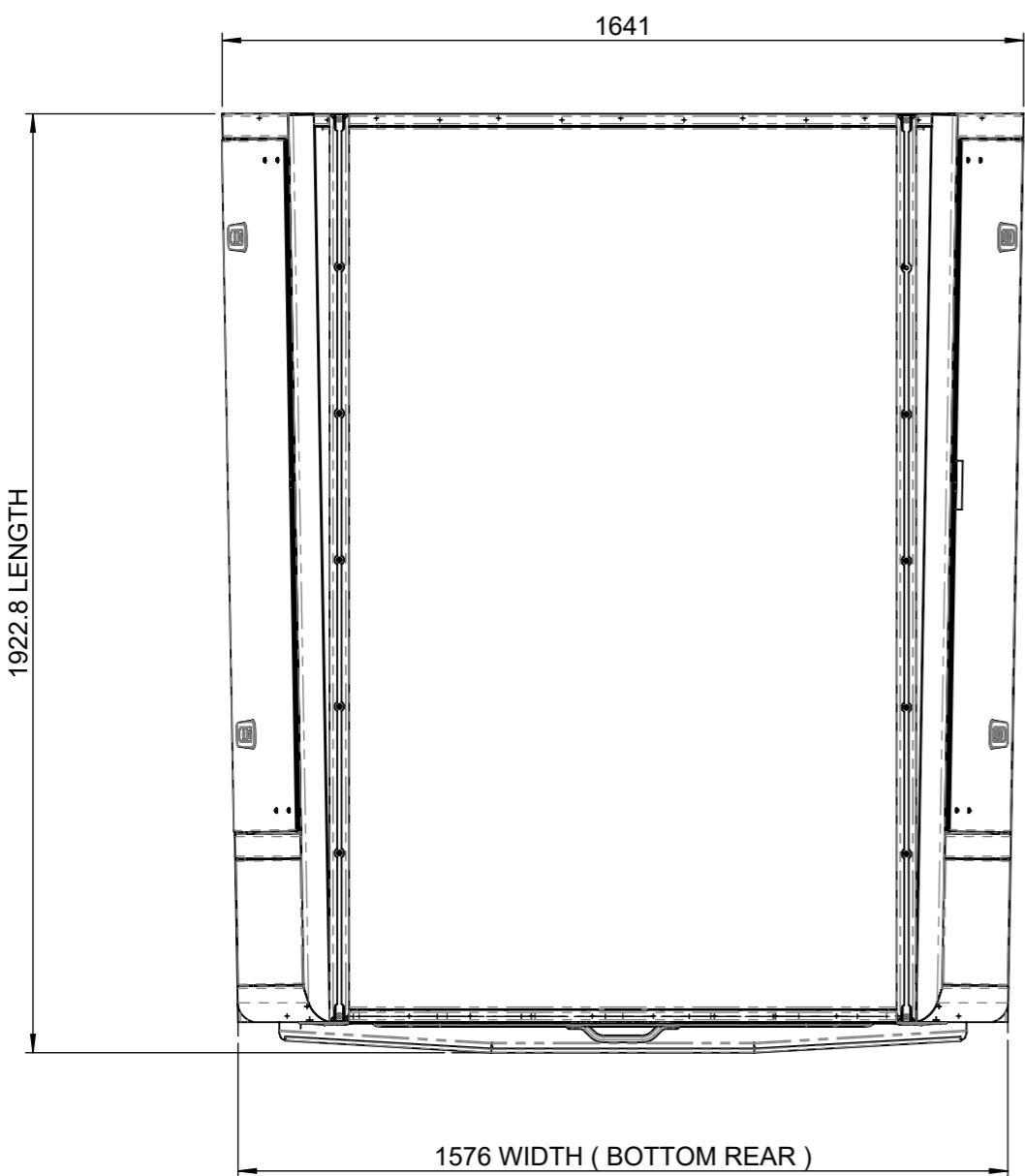
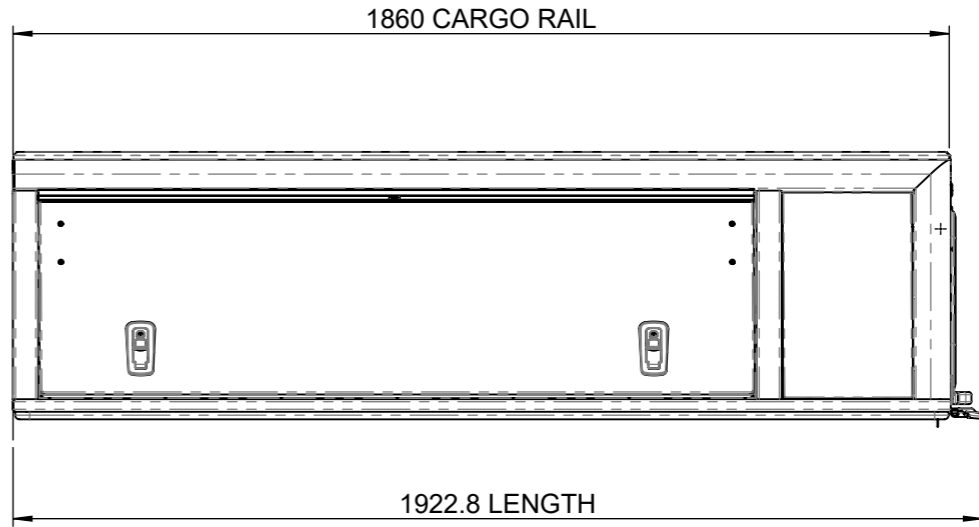
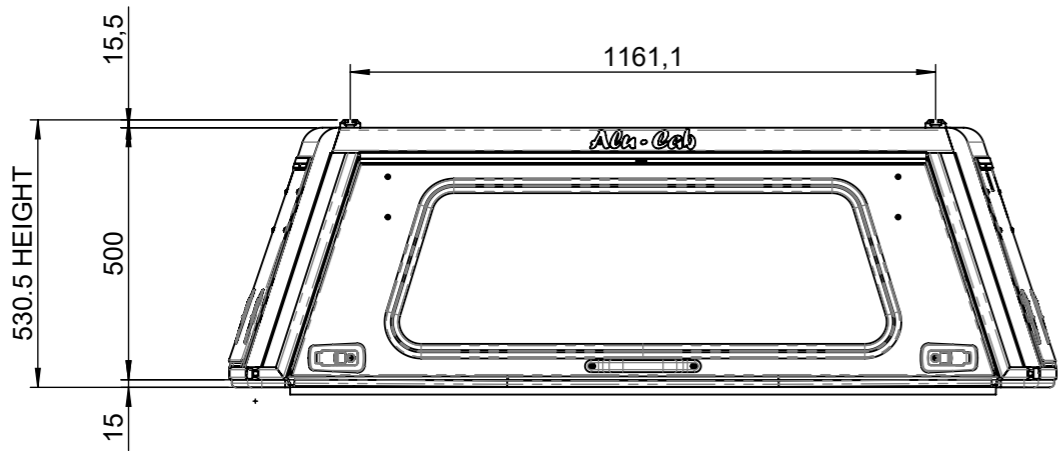


ISUZU 2020 XC EXPLORER CANOPY GENERAL ARRANGEMENT

ASSY INFO	MASS (kg):	Y
	BONDED:	Y
	FASTENED:	Y
FINISH	WELDED:	Y
	TUMBLER:	Y
	POWDER:	Y
	SPRAY:	Y
	COLOUR:	N/A



TOLERANCES TO ASSUME UNLESS INDICATED OTHERWISE		
NOM DIMENSION	RANGE (mm)	TOLERANCE
0.50	- 3.00	± 0.10
3.00	- 6.00	± 0.15
6.00	- 30	± 0.20
30	- 120	± 0.30
120	- 400	± 0.50
400	- 1000	± 1.00
1000	- 1000<	± 2.00

DESCRIPTION:
ISUZU 20 XC CANOPY MAIN ASSEMBLY

PROJECT:
C-X-IZ20-E

DRAWN BY:
Ashraf Railoun

DATE:
2022-10-28

THE INFORMATION CONTAINED WITHIN THIS DOCUMENT IS THE INTELLECTUAL PROPERTY OF ALU-CAB (PTY) LTD

SHEET:
A3

SCALE:
1:15

SHEET
1 of 1

DRAWING NO.
C-X-IZ20-E-GA



REV
00