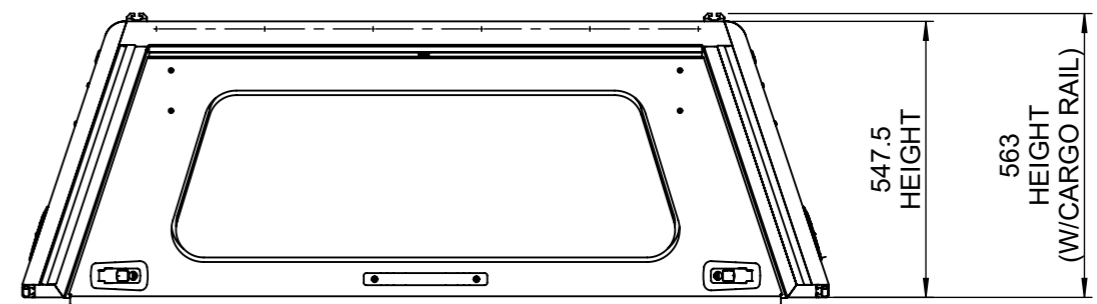
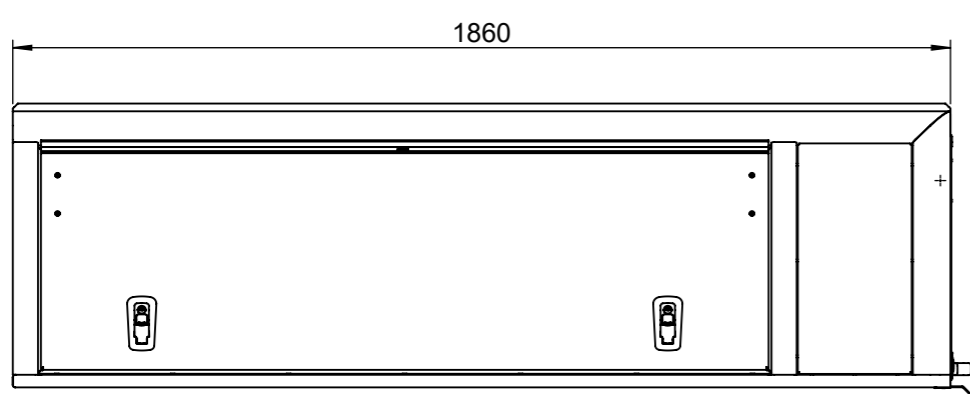
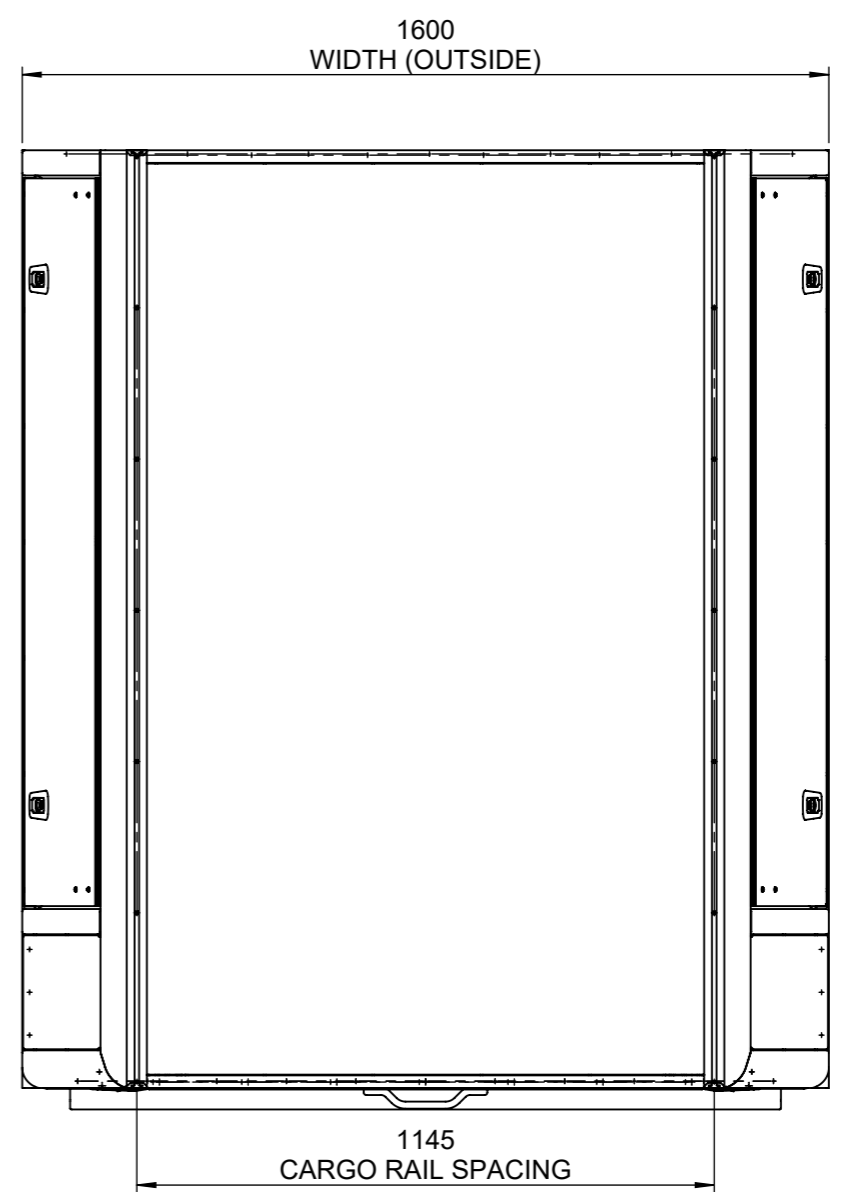
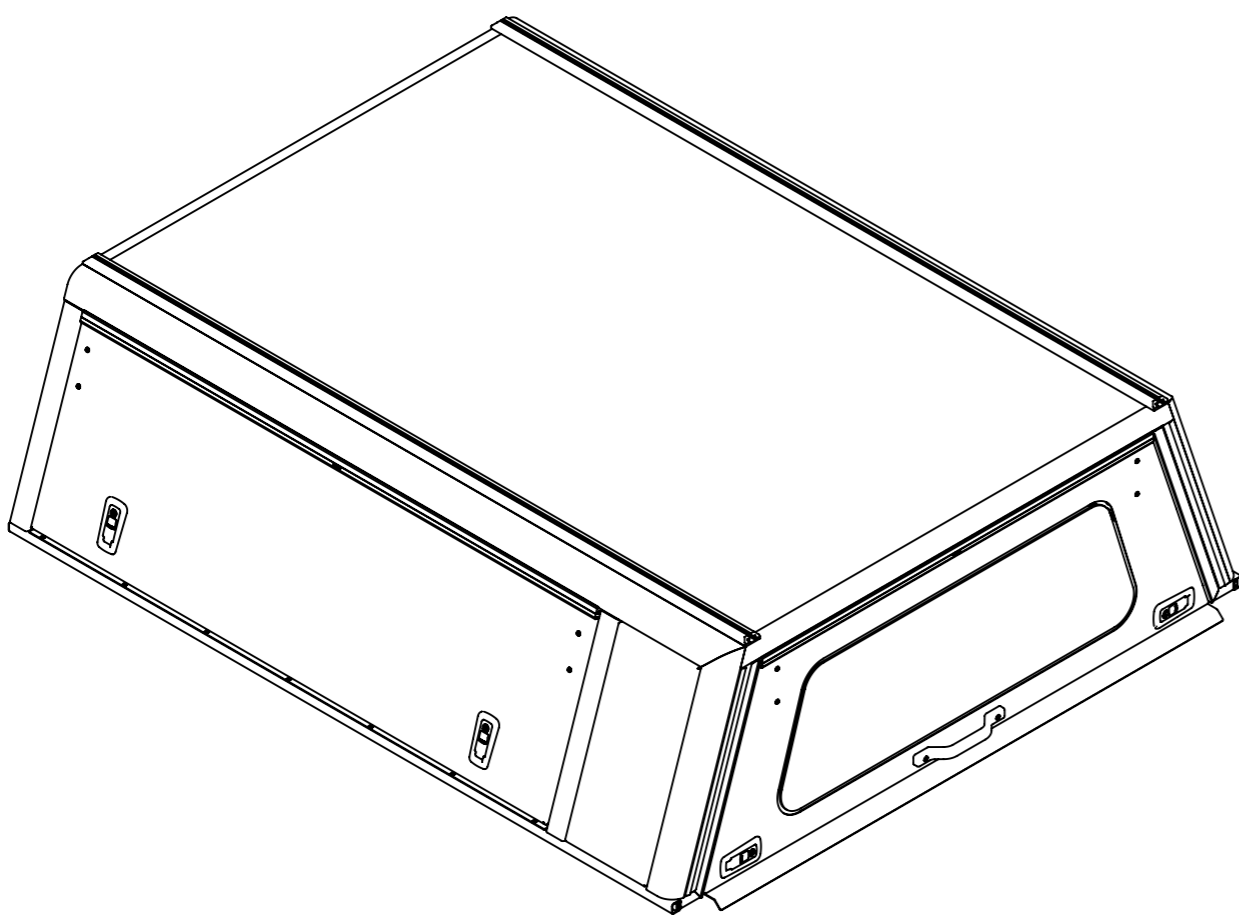


ASSY INFO	MASS (kg):	
	BONDED:	
	FASTENED:	
FINISH	WELDED:	
	TUMBLED:	
	BRUSHED:	
	POWDER:	
	SPRAY:	
	COLOUR:	



GENERAL ARRANGEMENT ONLY

TOLERANCES TO ASSUME UNLESS INDICATED OTHERWISE			
NOM DIMENSION	RANGE (mm)	TOLERANCE	
0.50	- 3.00	± 0.10	
3.00	- 6.00	± 0.15	
6.00	- 30	± 0.20	
30	- 120	± 0.30	
120	- 400	± 0.50	
400	- 1000	± 1.00	
1000	- 1000<	± 2.00	

DESCRIPTION:
ISUZU XC CANOPY

PROJECT:
-

DRAWN BY: _____ DATE: _____

THE INFORMATION CONTAINED WITHIN THIS DOCUMENT IS THE INTELLECTUAL PROPERTY OF ALU-CAB (PTY) LTD

SHEET:
A3

SCALE:
1:15

SHEET
1 of 1

DRAWING NO.
208-ISUZU 2013 XC CANOPY GA



REVISIONS				
REV.	DESCRIPTION	DATE	APPROVED	
1				
2				
3				
4				
5				

REV