

FITMENT INSTRUCTIONS

Alu-Cab™



Toyota Hilux Vigo Canopy

All rights reserved. No part of this document may be reproduced, translated, stored in a retrieval system, or transmitted, in any form or by any means, electronic, mechanical, photocopying, recording or otherwise, without prior written permission of the owner.

Review all instructions information carefully before installation.

Any damages, direct or incidental to the installer and/or property due to incorrect installation of any parts are the responsibility of the installer. Due to the various applications and fitment options available, the responsibility lies with the user to ensure all mounting points are secure and tight before every trip. If unsure, consult with your Distributor regarding the operations of our products.

Users are advised to be mindful of the load they are carrying and drive in accordance with road conditions.

DISCLAIMER

Alu-Cab

1. Canopy Fitment – Tools, Fasteners & Materials

The tables below show the equipment, i.e. tools and fasteners required to start the canopy fitment for a Toyota Hylux Revo.

1.1. Tools Required:

TOOLS
• Ratchet
• Philips Screw Driver
• 13mm Socket
• 13mm Ring Flat Spanner

1.2. Fasteners required: (Included with canopy)

ITEM	QTY
• M8x30mm Hex Bolts	12 off
• M8x25mm Hex Bolts	8 off
• M8x40mm Hex Bolts	2 off
• M8 Flat Washer	20 off
• M8 Nylock Nuts	14 off
• M8 Plastic Nut Caps	24 off

1.3. Hardware Required: (Included with canopy)

ITEM	QUANTITY
• Left Front Support Brackets	1 off
• Right Front Support Bracket	1 off
• Left Rear Support Bracket	1 off
• Right Rear Support Bracket	1 off
• Universal Bracket	4 off
• Centre Mounting Bracket	2 off
• Bracket Spacer	32 off

1.4. Consumables Required:

<u>ITEMS</u>
• Turpentine
• Cloth
• Black sealant, silicone or SikaFlex
• Window Cleaner



WARNING

Always wear appropriate PPE (Personal protection equipment) when fitting this product. Although the mounting kit is designed to be DIY, if you have any doubts or concerns, contact an accredited fitment centre to carry out the work. Alu-Cab will not be liable for any injury to persons, and/or damage to products and/or vehicles.

2. Front and Rear Canopy Support Brackets.

In Figure 1 and Figure 2 below are the canopy support brackets for the Toyota Hylux Vigo.

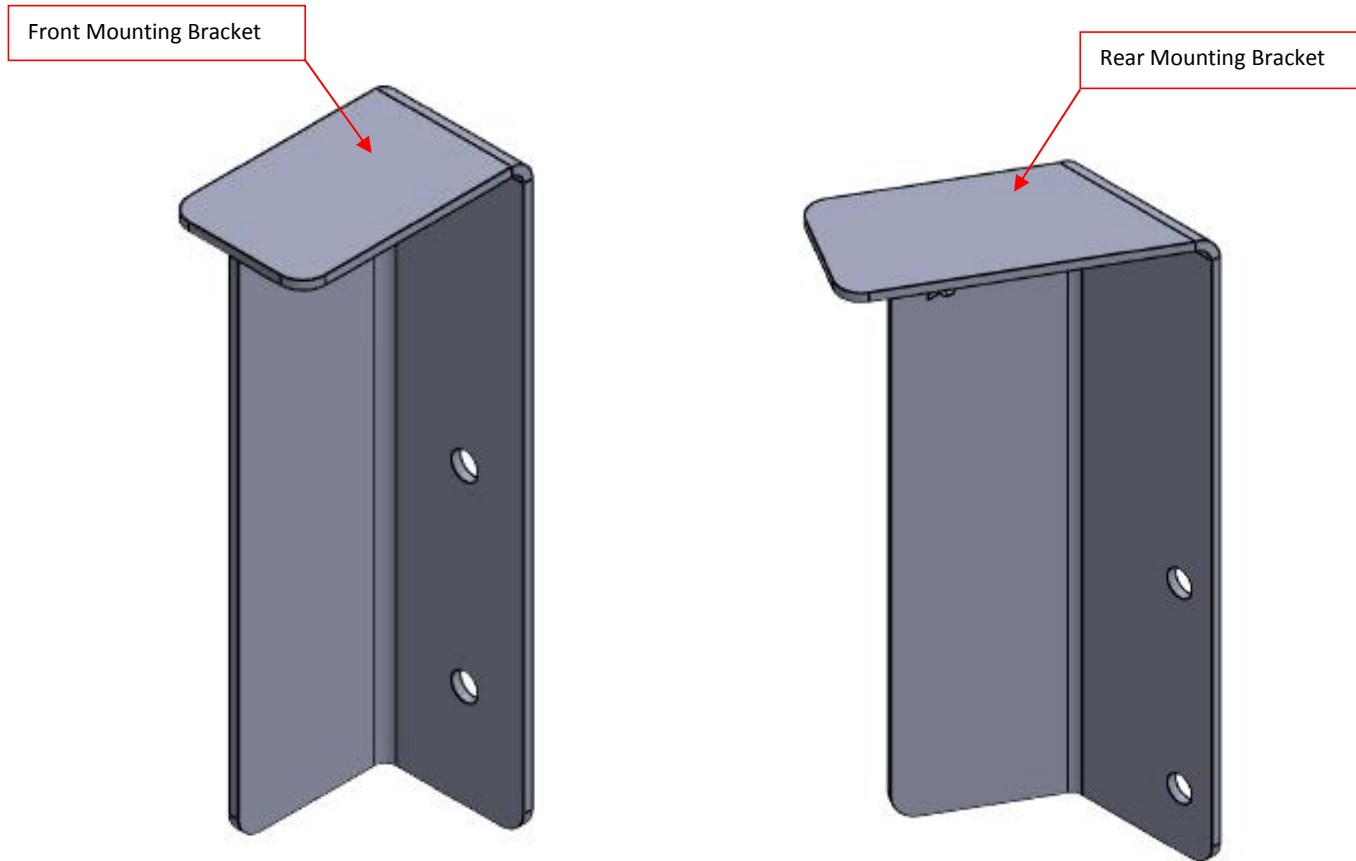


Figure 1:
Front Support Canopy Brackets

Figure 2:
Rear Support Canopy Brackets

2.1. Mounting the Support Brackets to the Load Bin

a) Step 1 – Removing the Standard Hooks

Remove the front and rear standard hook brackets from the load bin using a Phillips screw driver.

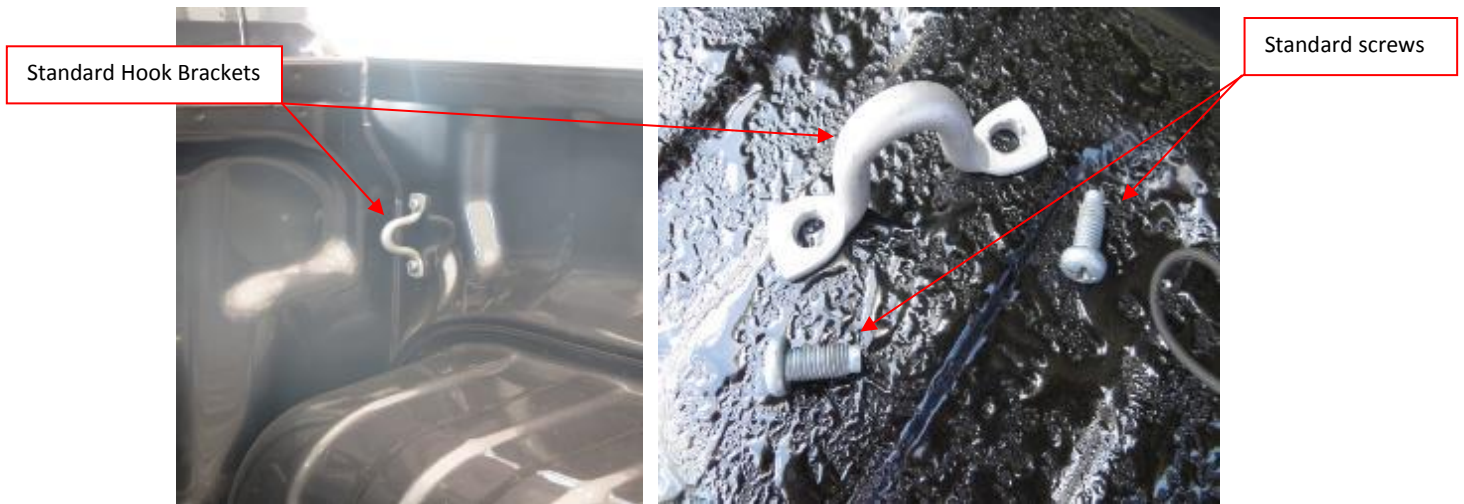


Figure 3: Standard Hook Points

b) Step 2 – Positions of the Front and Rear Support Brackets to the Load Bin

Figures 4 and Figure 5 shows where the mounting brackets are fixed to the load bin. It mounts in the same place as the standard hooks shown above.

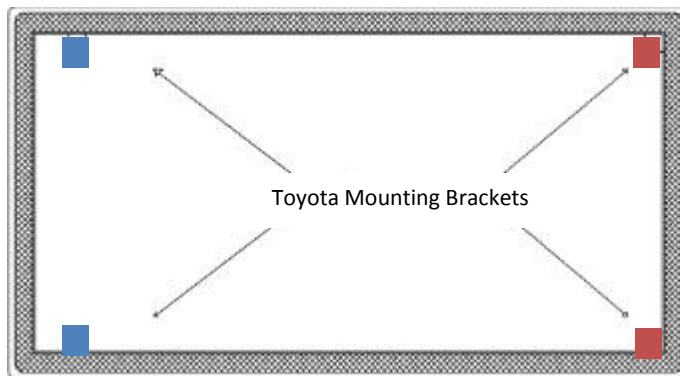


Figure 4: Top View of Load Bin

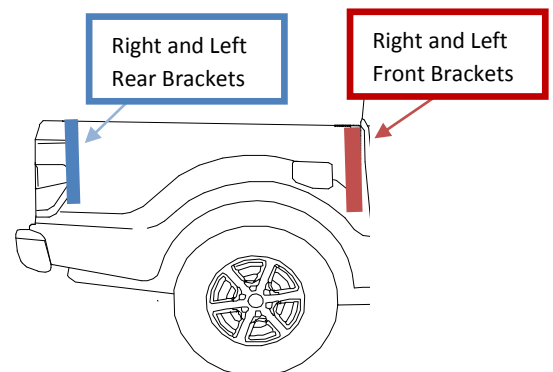


Figure 5: Side View of Load Bin

c) Step 3 – Bolting the front support brackets to the load bin

Mount the bracket onto the load bin using M8x30 hex bolts, M8 flat washers and M8 nut caps shown in Figure 6. This is done for the left and right hand side front support brackets.

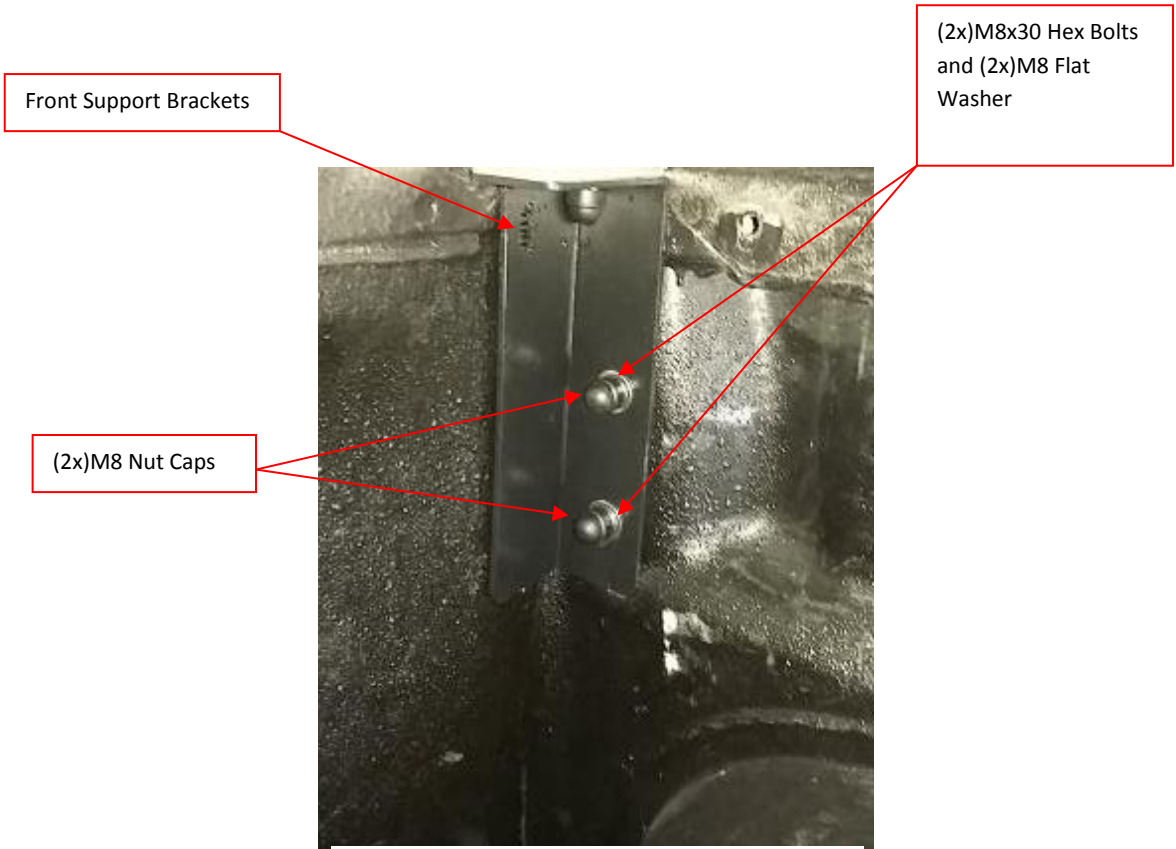


Figure 6: Installing Front Support Bracket

d) Step 4 – Bolting the rear support brackets to the load bin

Repeat Step 3 for the rear support brackets. This must be done for the left and right hand side rear support brackets.

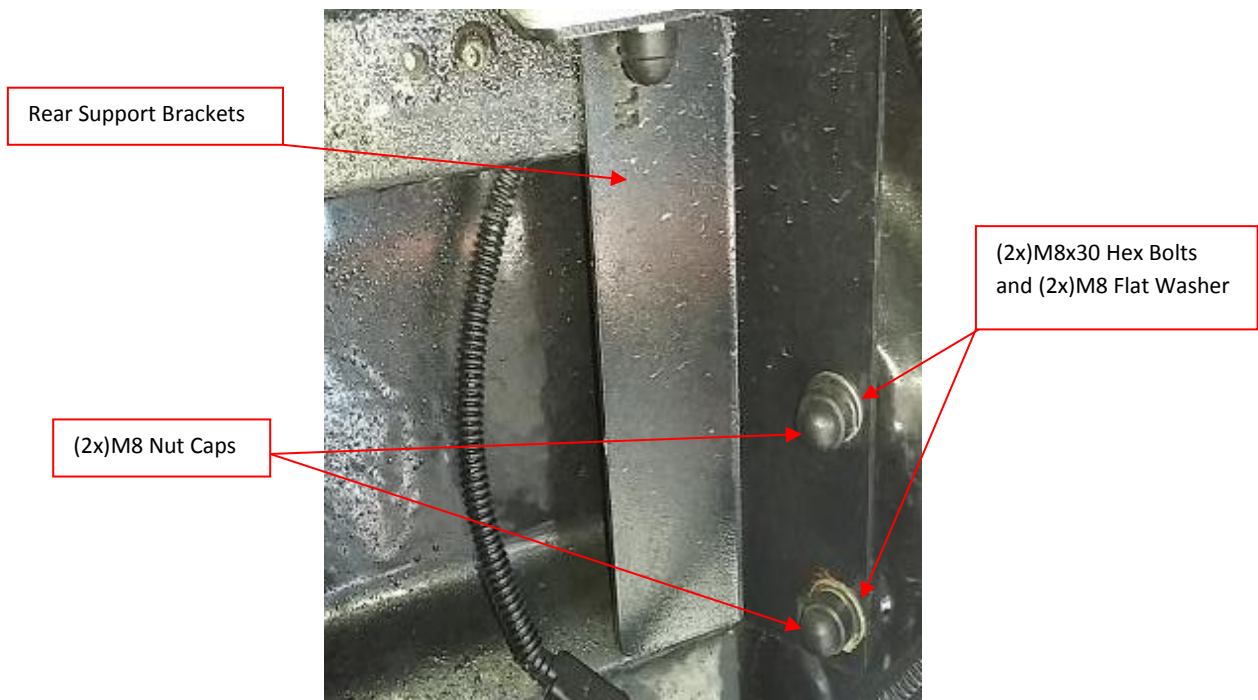


Figure 7: Installing Rear Support Bracket

3. Centre Mounting Brackets

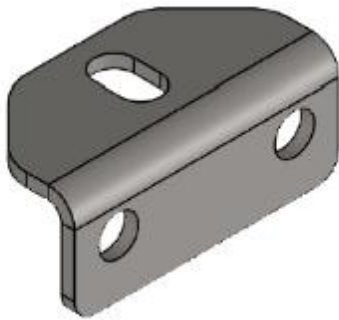


Figure 8: Canopy Mounting Bracket

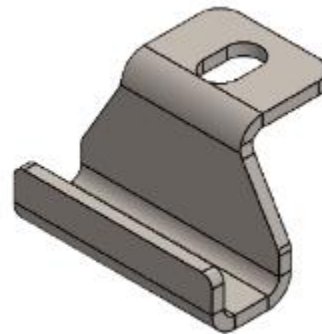


Figure 9: Load Bin Mounting Bracket

3.1. Mounting the Centre Mounting Bracket

Figure 10 below is the assembly of the centre mounting brackets.

Figure 11 below shows a section view of how the centre mounting bracket clamps onto the load bin.

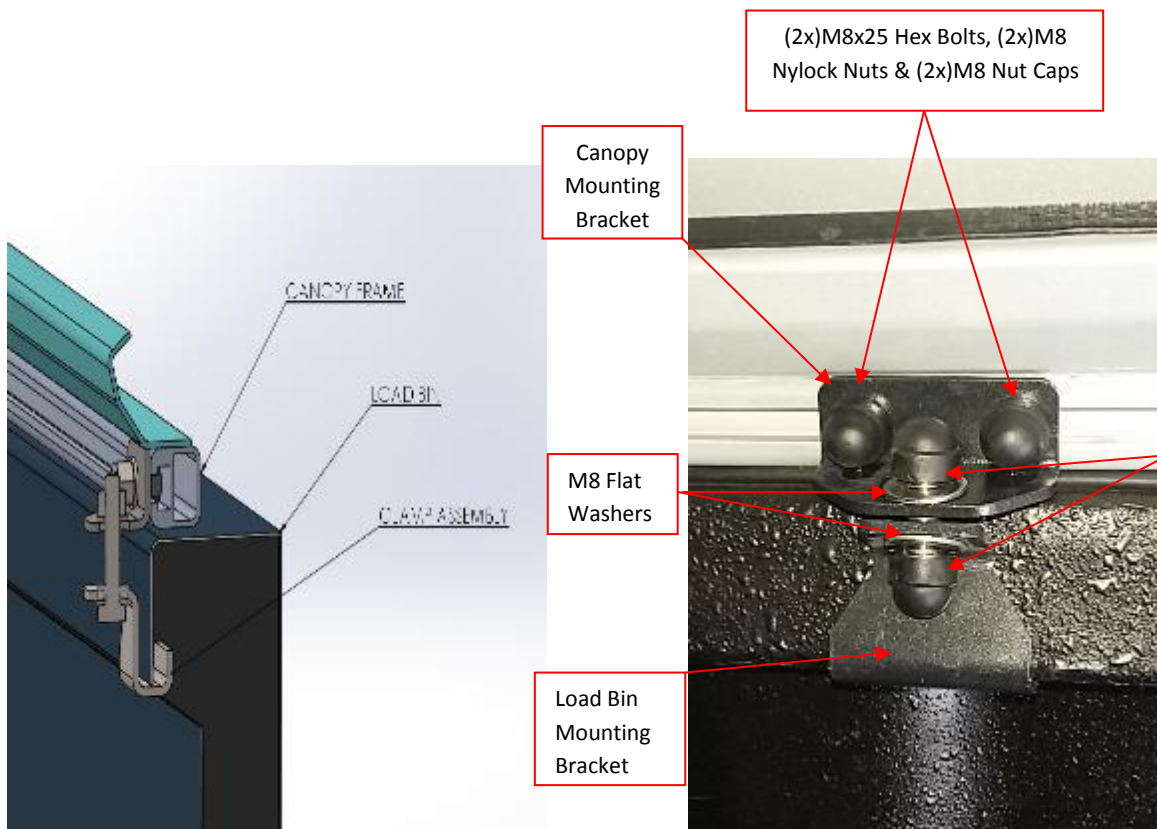


Figure 10: Centre Bracket Mounting Assembly

Figure 11: Section View of Clamping Method

4. Canopy Installation

Before placing the canopy onto the load bin, check that the D-Rubber is intact on the canopy. If this is not done, the canopy and/or load bin could be damaged or can cause leaks into the canopy.

To position the canopy, ensure that it is flush with the load bin.

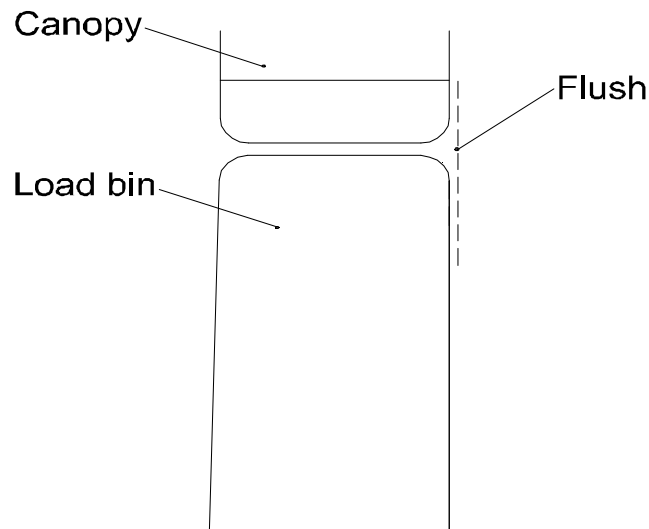


Figure 12: Canopy and Load Bin Alignment

4.1. Canopy Fitment to Load bin

Keep all the doors of the canopy open besides the rear door when placing it onto the load bin to check for square.

a) Step 1 – Bolting the Universal Bracket to the Rear Support Brackets

Align the Universal bracket to the rear support bracket mounted to the load bin and insert the mounting bolt. Slide in the spacer plates between the 2 brackets and tighten the bolt.

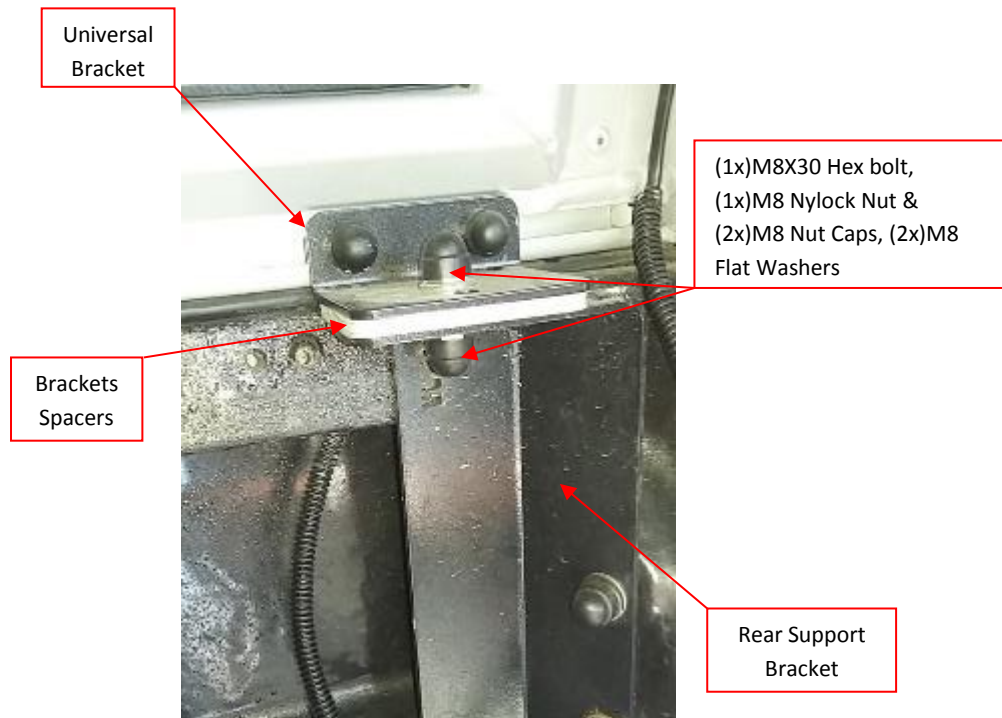


Figure 13: Mounting Universal- Rear Support Bracket

a) Step 2 – Tightening the Universal Bracket to the Canopy

Tighten the nylock nuts and mount the universal bracket to the canopy using a ratchet and a 13mm socket. Cover the nuts with M8 nut caps. This is done for the front and rear mountings brackets.

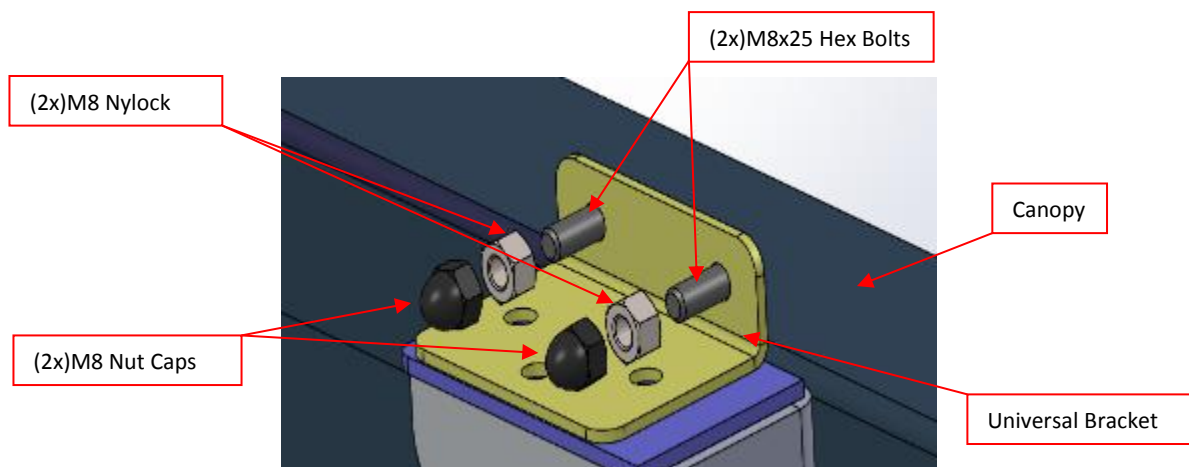


Figure 14: Universal-Canopy mounting bolts assembly

b) Step 3 - Bolting the Universal Bracket to the Front Support Brackets

Align the Universal bracket to the front support bracket mounted to the load bin and insert the mounting bolt. Slide the bracket spacers between the 2 brackets and tighten the bolt.

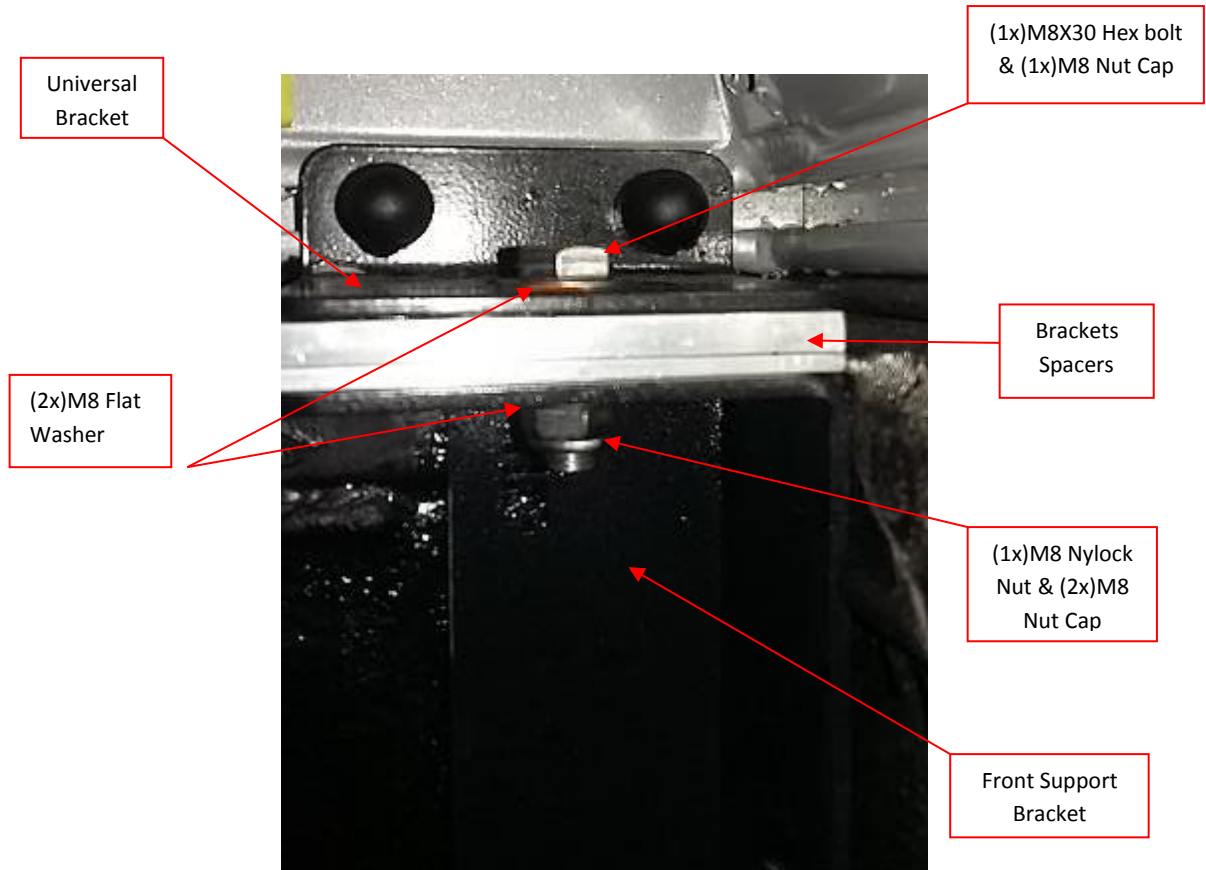


Figure 15: Mounting Universal-Front Support Bracket



Figure 16: Front Support Bracket Installed

The Right Hand Side support brackets has been installed, repeat the steps for the Left Hand Side support brackets and the canopy is installed successfully.