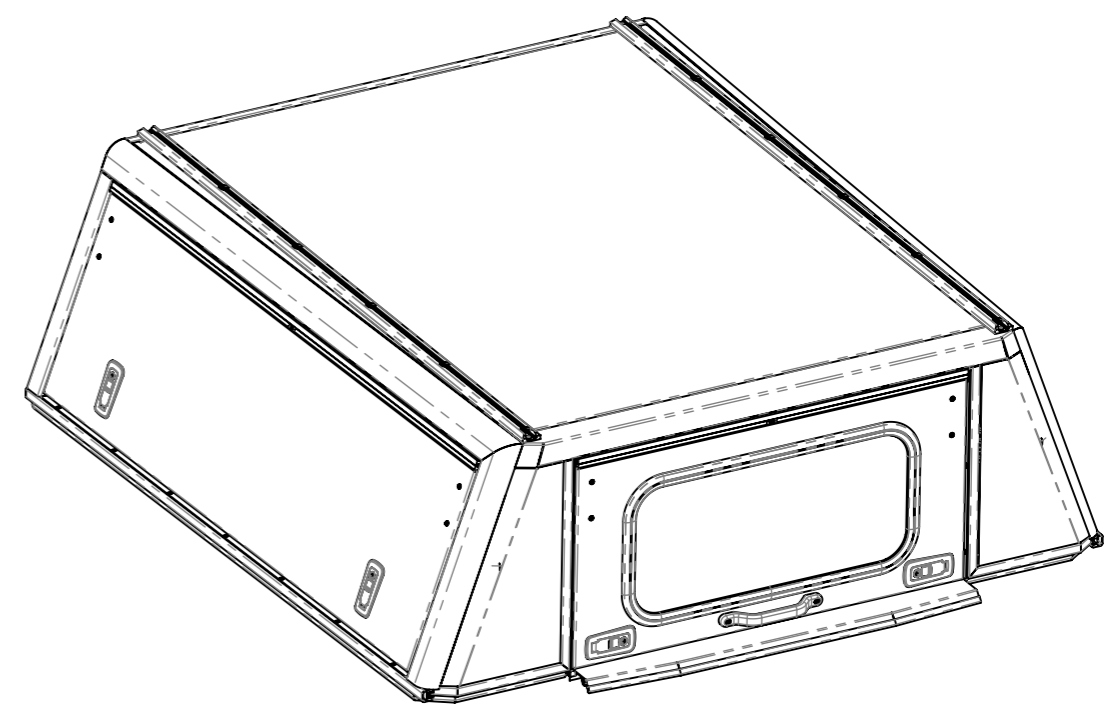
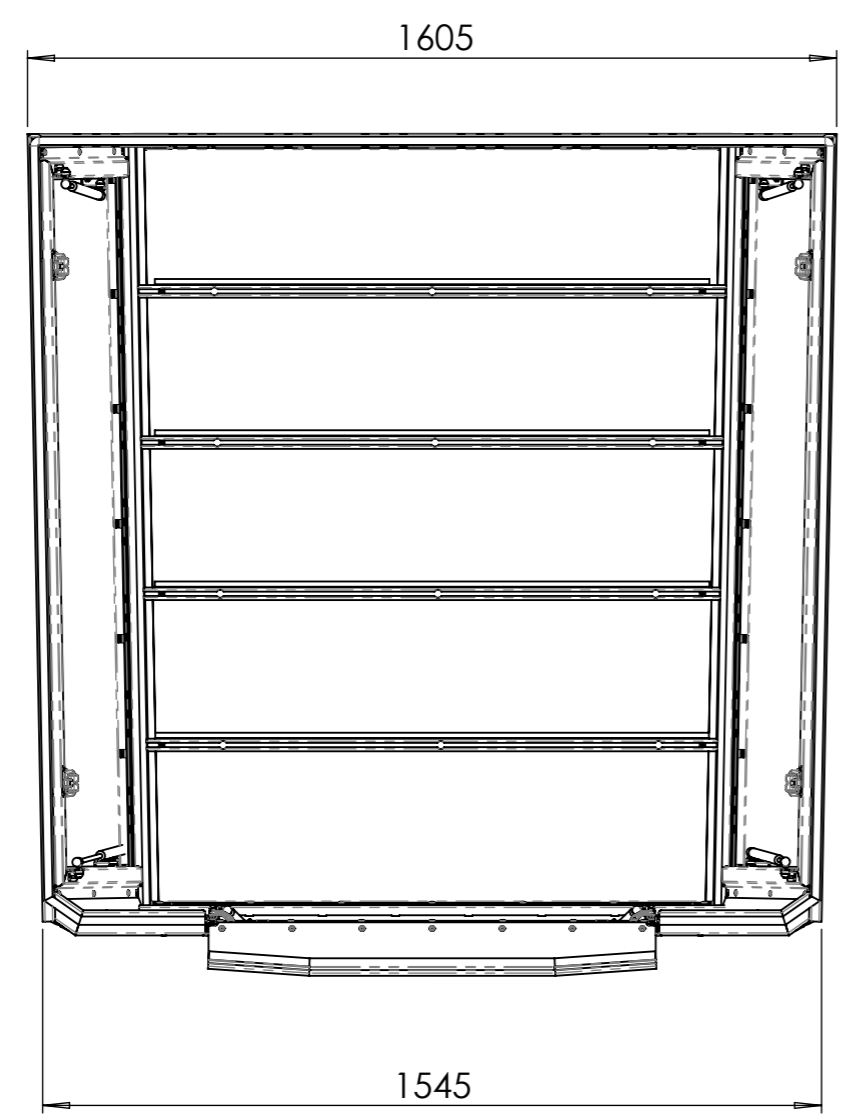
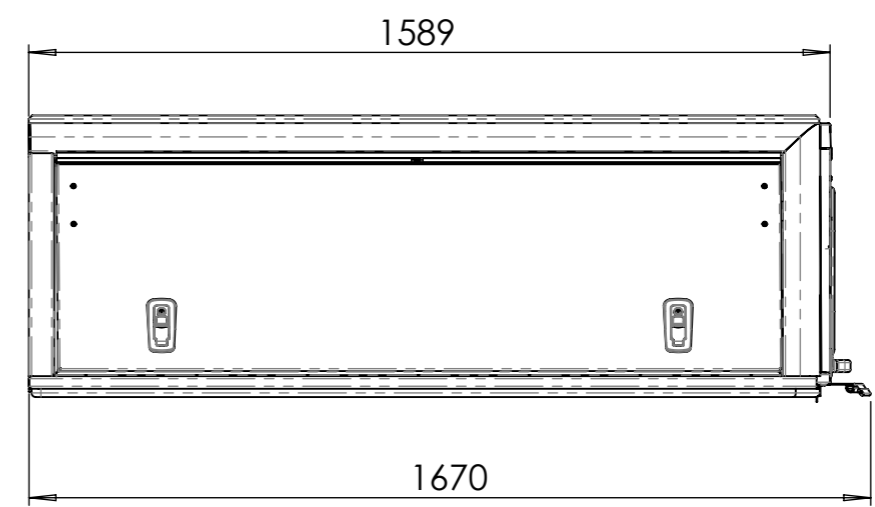
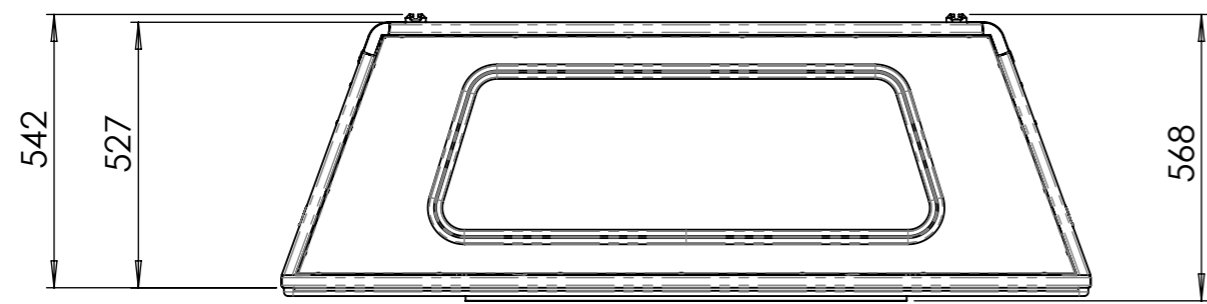



GENERAL ARRANGEMENT

ASSY INFO	MASS (kg):	Y
	BONDED:	Y
	FASTENED:	Y
FINISH	WELDED:	Y
	TUMBLER:	
	BRUSHED:	
	POWDER:	
	SPRAY:	
	COLOUR:	N/A



TOLERANCES TO ASSUME UNLESS INDICATED OTHERWISE <table border="1"> <thead> <tr> <th>NOM DIMENSION</th> <th>RANGE (mm)</th> <th>TOLERANCE</th> </tr> </thead> <tbody> <tr> <td>0.50</td> <td>- 3.00</td> <td>± 0.10</td> </tr> <tr> <td>3.00</td> <td>- 6.00</td> <td>± 0.15</td> </tr> <tr> <td>6.00</td> <td>- 30</td> <td>± 0.20</td> </tr> <tr> <td>30</td> <td>- 120</td> <td>± 0.30</td> </tr> <tr> <td>120</td> <td>- 400</td> <td>± 0.50</td> </tr> <tr> <td>400</td> <td>- 1000</td> <td>± 1.00</td> </tr> <tr> <td>1000</td> <td>- 1000<</td> <td>± 2.00</td> </tr> </tbody> </table>		NOM DIMENSION	RANGE (mm)	TOLERANCE	0.50	- 3.00	± 0.10	3.00	- 6.00	± 0.15	6.00	- 30	± 0.20	30	- 120	± 0.30	120	- 400	± 0.50	400	- 1000	± 1.00	1000	- 1000<	± 2.00	DESCRIPTION: MBX DC ADV CANOPY ASSEMBLY		SHEET: A3			REV 00
NOM DIMENSION	RANGE (mm)	TOLERANCE																													
0.50	- 3.00	± 0.10																													
3.00	- 6.00	± 0.15																													
6.00	- 30	± 0.20																													
30	- 120	± 0.30																													
120	- 400	± 0.50																													
400	- 1000	± 1.00																													
1000	- 1000<	± 2.00																													
PROJECT: C-D-MBX-A		SCALE: 1:15		SHEET 1 of 1																											
DRAWN BY: System Administrator		DATE: 2023/01/31		DRAWING NO. C-D-MBX-A-GA		THE INFORMATION CONTAINED WITHIN THIS DOCUMENT IS THE INTELLECTUAL PROPERTY OF ALU-CAB (PTY) LTD																									