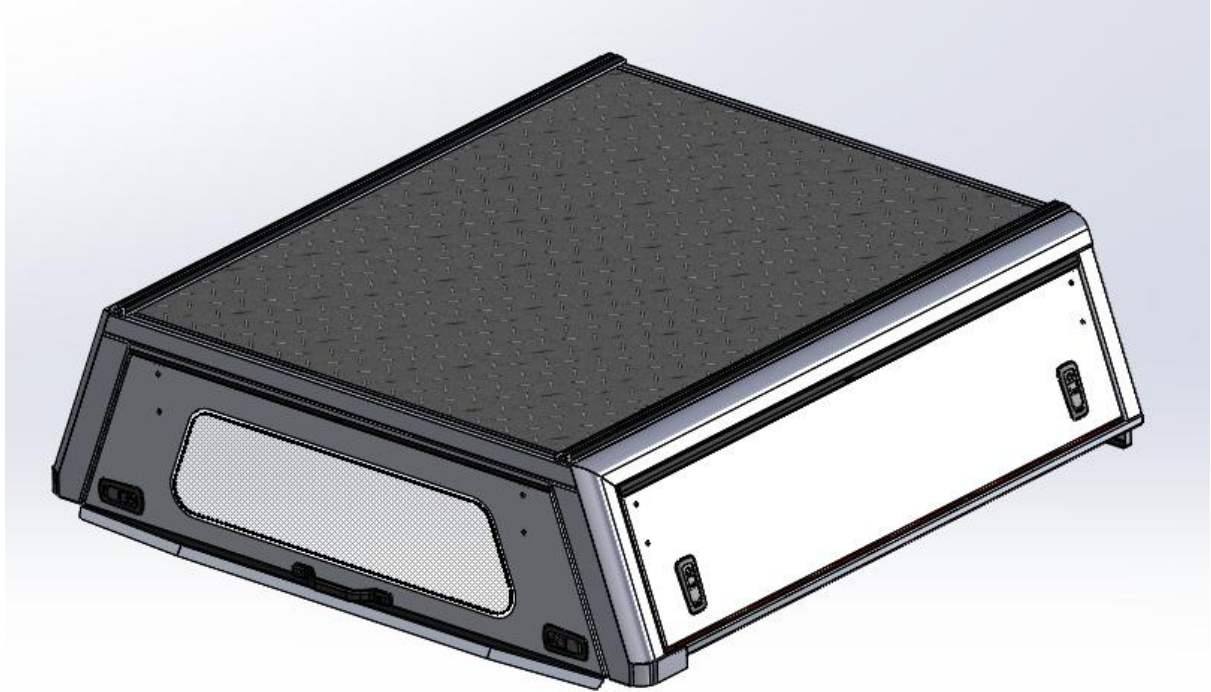


# FITMENT INSTRUCTIONS

**Alu-Cab™**



## Mitsubishi Triton L200

### DC Canopy

All rights reserved. No part of this document may be reproduced, translated, stored in a retrieval system, or transmitted, in any form or by any means, electronic, mechanical, photocopying, recording or otherwise, without prior written permission of the owner.

Review all instructions information carefully before installation.

Any damages, direct or incidental to the installer and/or property due to incorrect installation of any parts are the responsibility of the installer. Due to the various applications and fitment options available, the responsibility lies with the user to ensure all mounting points are secure and tight before every trip. If unsure, consult with your Distributor regarding the operations of our products.

Users are advised to be mindful of the load they are carrying and drive in accordance with road conditions.

DISCLAIMER

**Alu-Cab**

## 1. Canopy Fitment – Tools, Fasteners & Materials

The tables below show the equipment, i.e. tools and fasteners required to start the canopy fitment for a Mitsubishi Triton L200 Canopy.

### 1.1. Tools Required:

<u>TOOLS</u>
• Ratchet
• Hand Drill
• 13mm Socket
• 13mm Ring Flat Spanner

### 1.2. Fasteners required: (Included with canopy)

<u>ITEM</u>	<u>QUANTITY</u>
• M8x30mm Hex Bolts	4 off
• M8x20mm Hex Bolts	12 off
• M8x40mm Hex Head Bolts	10 off
• M8 Flat Washer	24 off
• M8 Nyloc Nuts	18 off
• M8 Plastic Nut Caps	18 off



#### **WARNING**

Always wear appropriate PPE ( Personal protection equipment) when fitting this product. Although the mounting kit is designed to be DIY, if you have any doubts or concerns, contact an accredited fitment centre to carry out the work. Alu-Cab will not be liable for any injury to persons, and/or damage to products and/or vehicles.

**1.3. Hardware Required:** (Included with canopy)

<u>ITEM</u>	<u>QUANTITY</u>
• Left Front Support Brackets	1 off
• Right Front Support Bracket	1 off
• Left Rear Support Bracket	1 off
• Right Rear Support Bracket	1 off
• Universal Bracket	4 off
• Centre Mounting Brackets	2 off
• Bracket Spacers	32 off

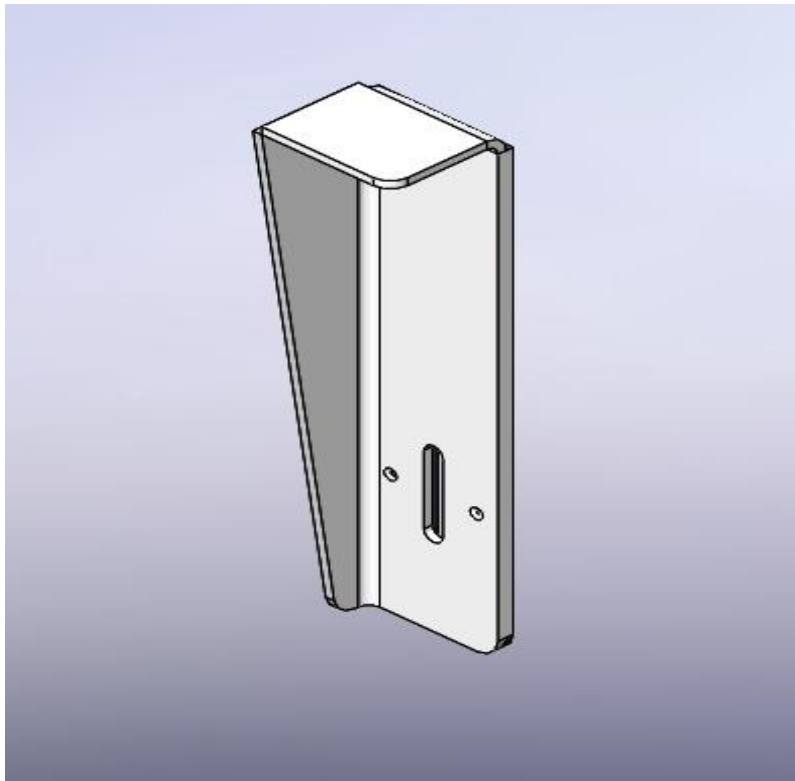
**1.4. Consumables Required:**

<u>ITEM</u>
• Turpentine
• Cloth
• Black sealant, silicone or Sikaflex
• Window Cleaner
• Loctite

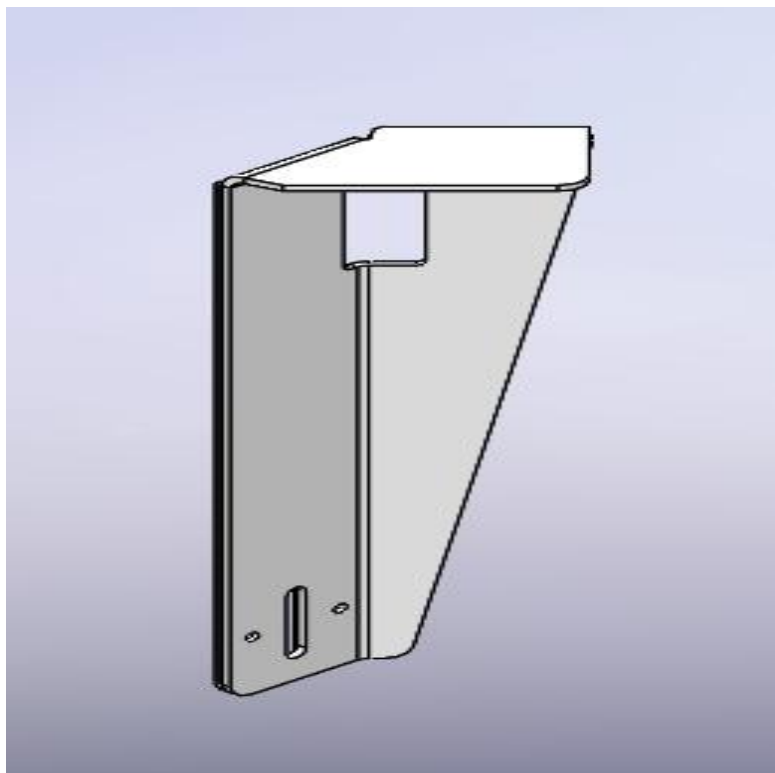
## 2. Front and Rear Canopy Support Brackets.

In Figure 1 and Figure 2 below are the canopy support brackets for the Mitsubishi Triton L200.

Front Mounting Bracket



Rear Mounting Bracket

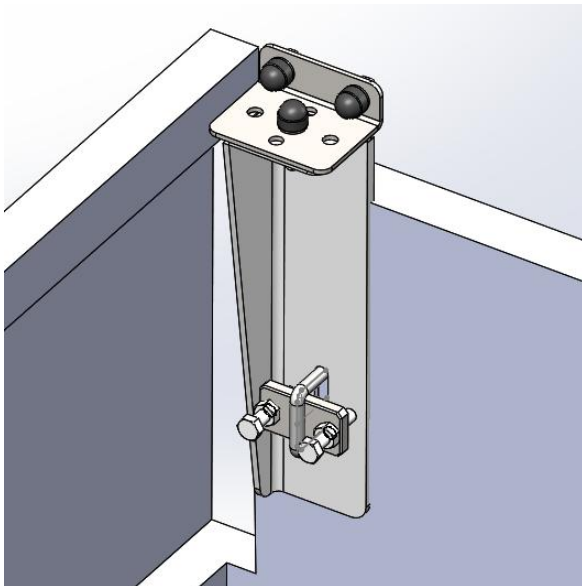


The picture below illustrating the 2 mounting points. As well as the corresponding 2 (Not Shown).

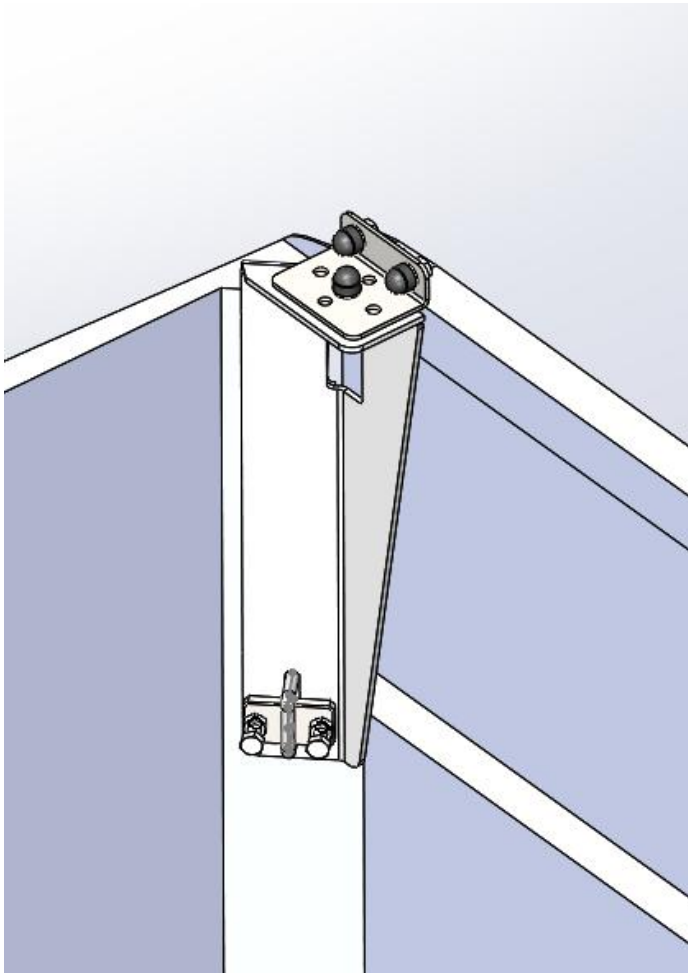


### **Mounting the Support Brackets to the Load Bin**

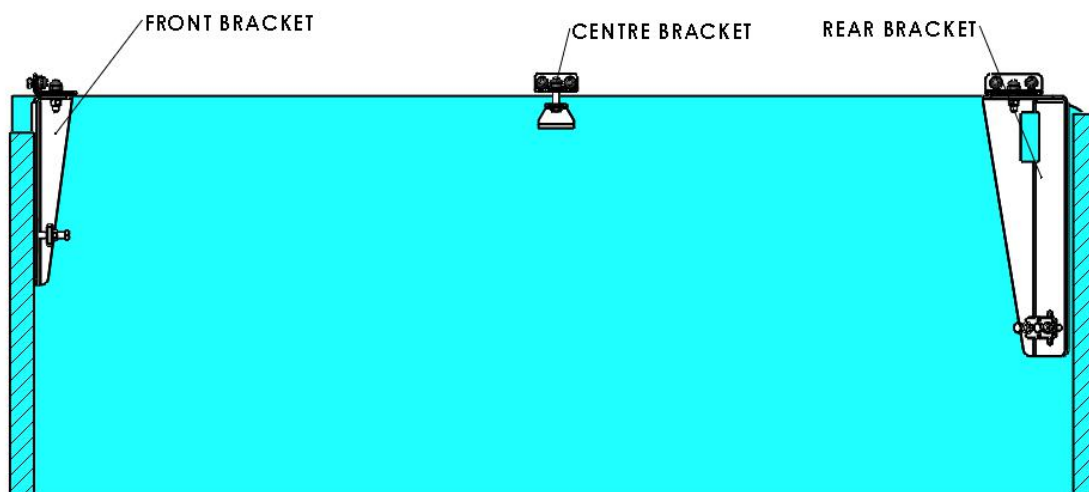
Picture below showing the front mounting bracket in position.



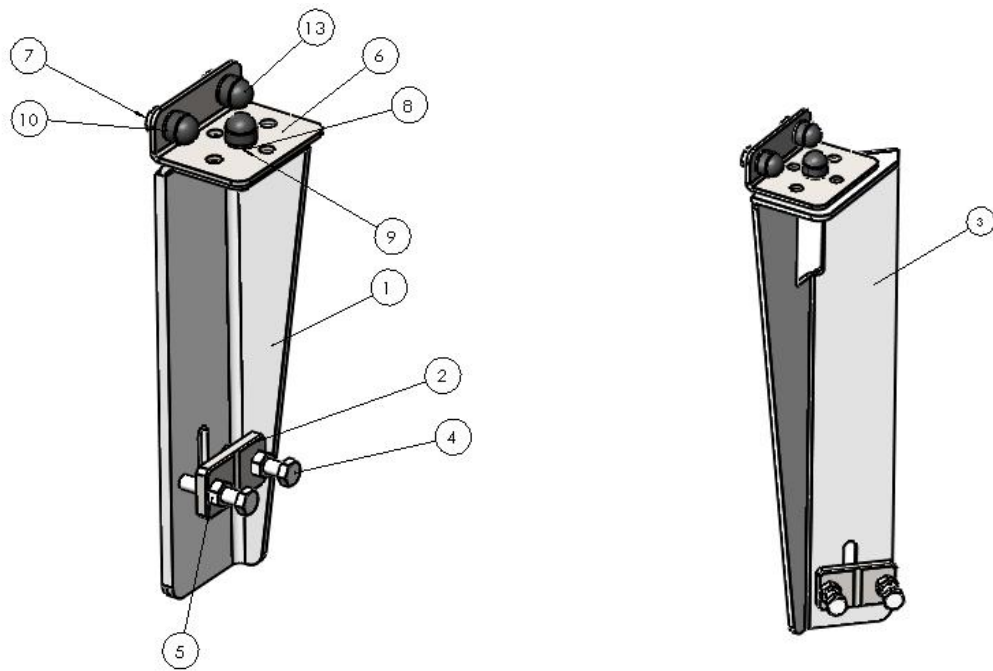
Picture below showing the rear mounting bracket in position.



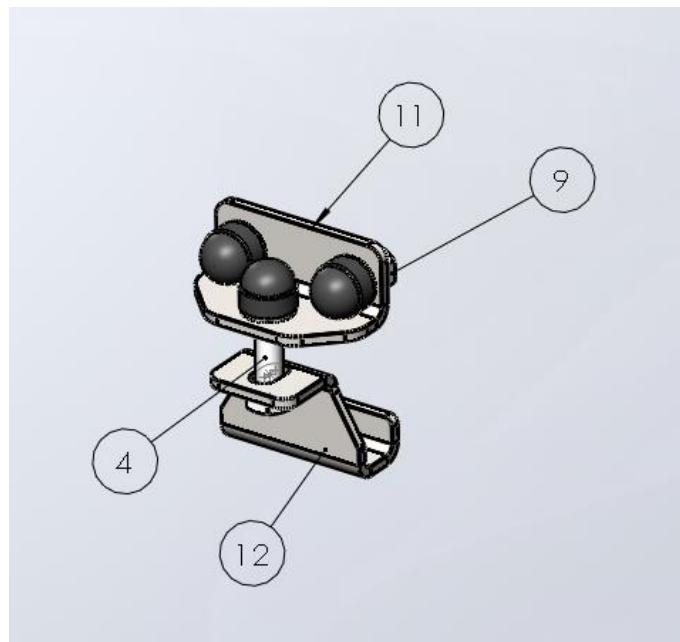
Cross section showing Front, Rear and Centre mounting brackets in position.



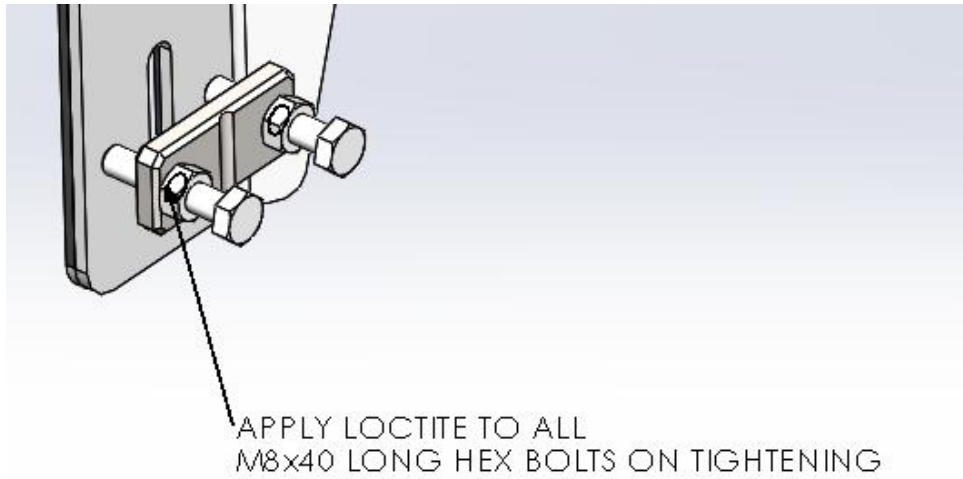
FRONT & REAR BRACKETS.



CENTRE BRACKET.



**NB:**



**BILL OF MATERIALS:**

<b>mitsubishi triton L200 DC</b>			
<b>ITEM NO.</b>	<b>PART NUMBER</b>	<b>DESCRIPTION</b>	<b>QTY.</b>
1	203-FNT-MNT-01-00	FRONT MOUNTING BRACKET	2
2	202-CLMP-PLT-01-00	CLAMP PLATE	4
3	203-RER-MNT-01-00	REAR MOUNTING BRACKET	1
4	M8x40 Hex Head Bolt	M8x40 HEX BOLT	10
5	M8 Hex Head Nut	Hex Head Nut	14
6	Universal Canopy Mount Bracket REV A	CANOPY MOUNTING BRACKET	4
7	M8x20 Hex Head Bolt	M8x20 Hex Head Bolt	12
8	M8x30 Hex Head Bolt	M8x30 HEX BOLT	4
9	M8 Flat Washer	M8 Flat Washer	24
10	N8 Nyloc Nut	N8 Nyloc Nut	18
11	CMB-000-001	ANGLE BRACKET	2
12	CMB-000-002	BOTTOM CLAMP BRACKET	2
13	M8 Nut Cap	Nut Cap	18
14	SHIM	SHIM	16



### 3. Centre Mounting Brackets

The centre mounting bracket consists of two brackets shown in Figure 10 and Figure 11 below.

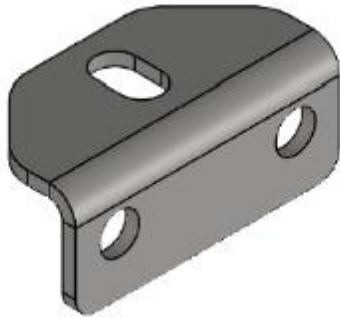


Figure 10: Canopy Mounting Bracket

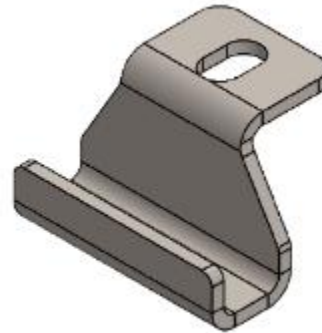


Figure 11: Load Bin Mounting Bracket

#### 3.1. Mounting the Centre Mounting Bracket

Figure 12 below shows a section view of how the centre mounting bracket clamps onto the load bin.

Figure 13 below is the assembly of the centre mounting bracket. Alternatively, you can use a M8x40 Hex bolt for this assembly.

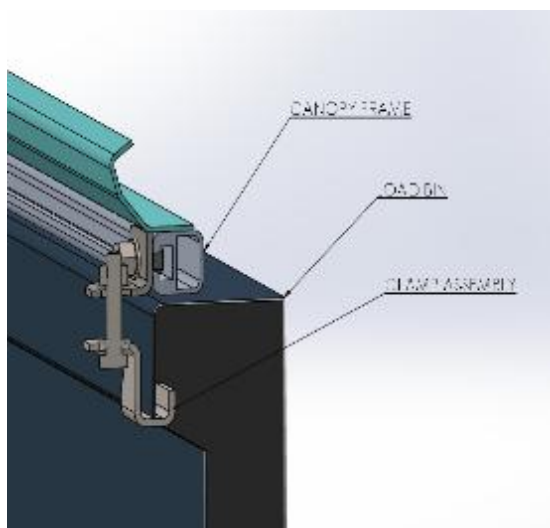


Figure 12: Section View of Clamping Method

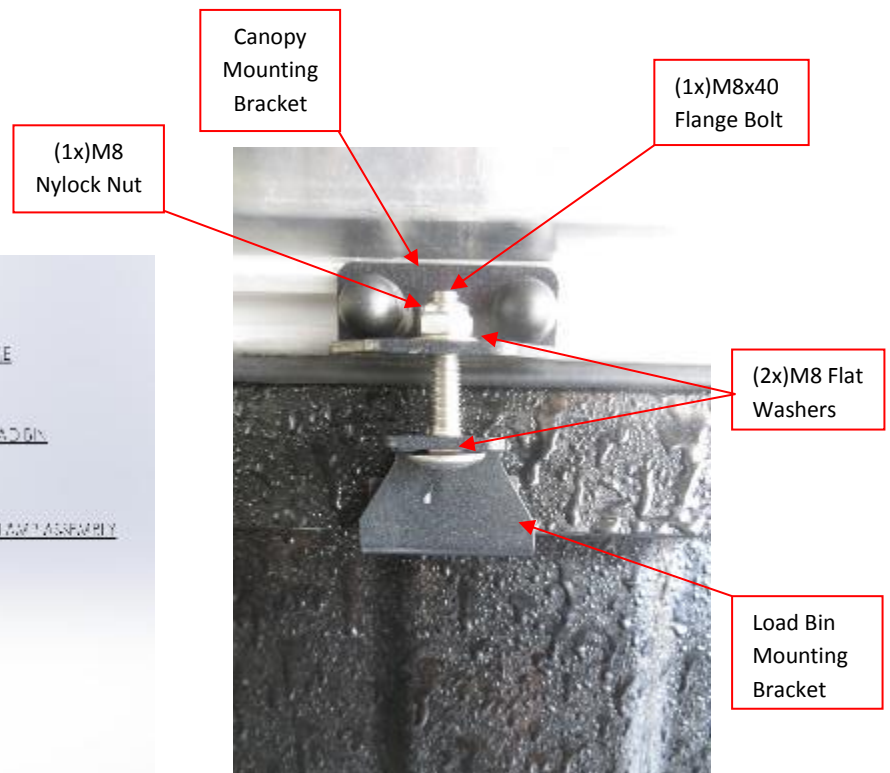


Figure 13: Centre Bracket Mounting Assembly

## 4. Canopy Installation

Before placing the canopy onto the load bin, check that the D-Rubber is intact on the canopy. If this is not done, the canopy and/or load bin could be damaged or can cause leaks into the canopy.

To position the canopy, ensure that it is flush with the load bin on the inside.

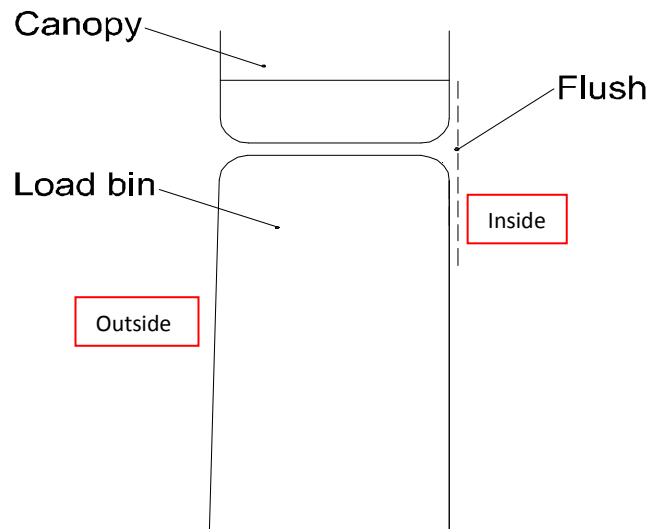


Figure 14: Canopy and Load Bin Alignment