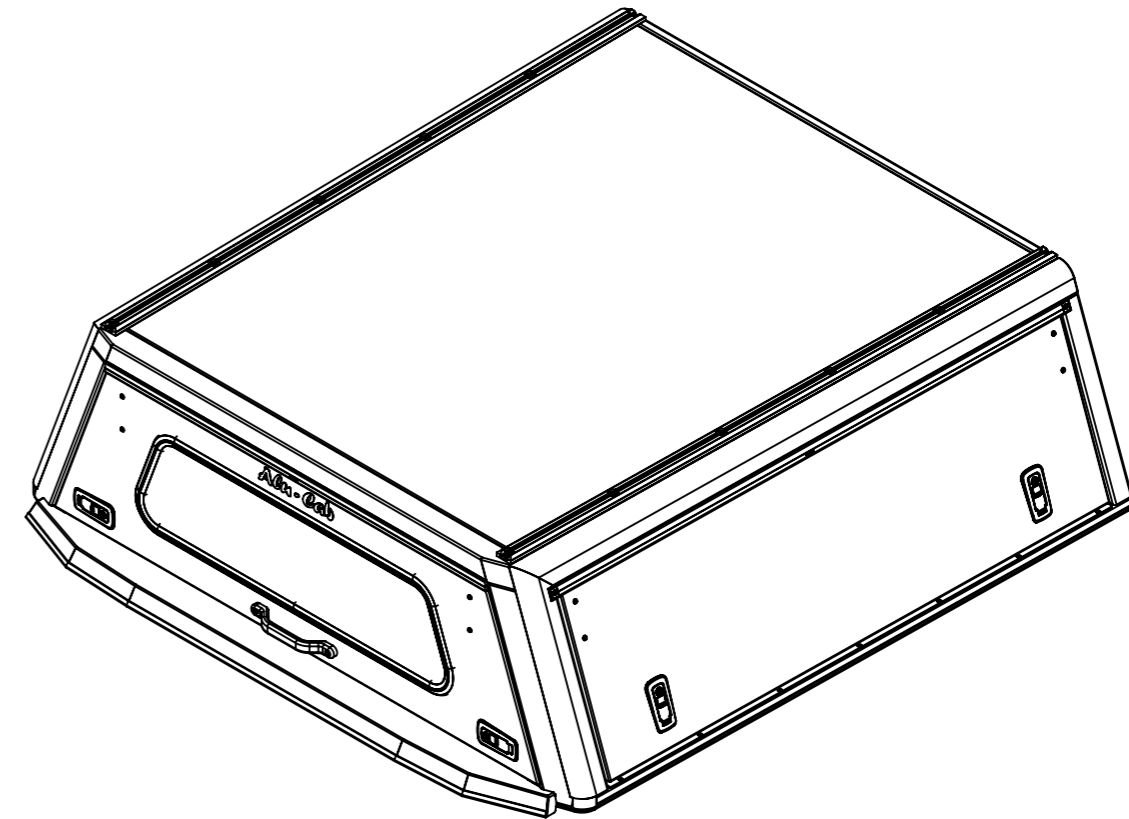
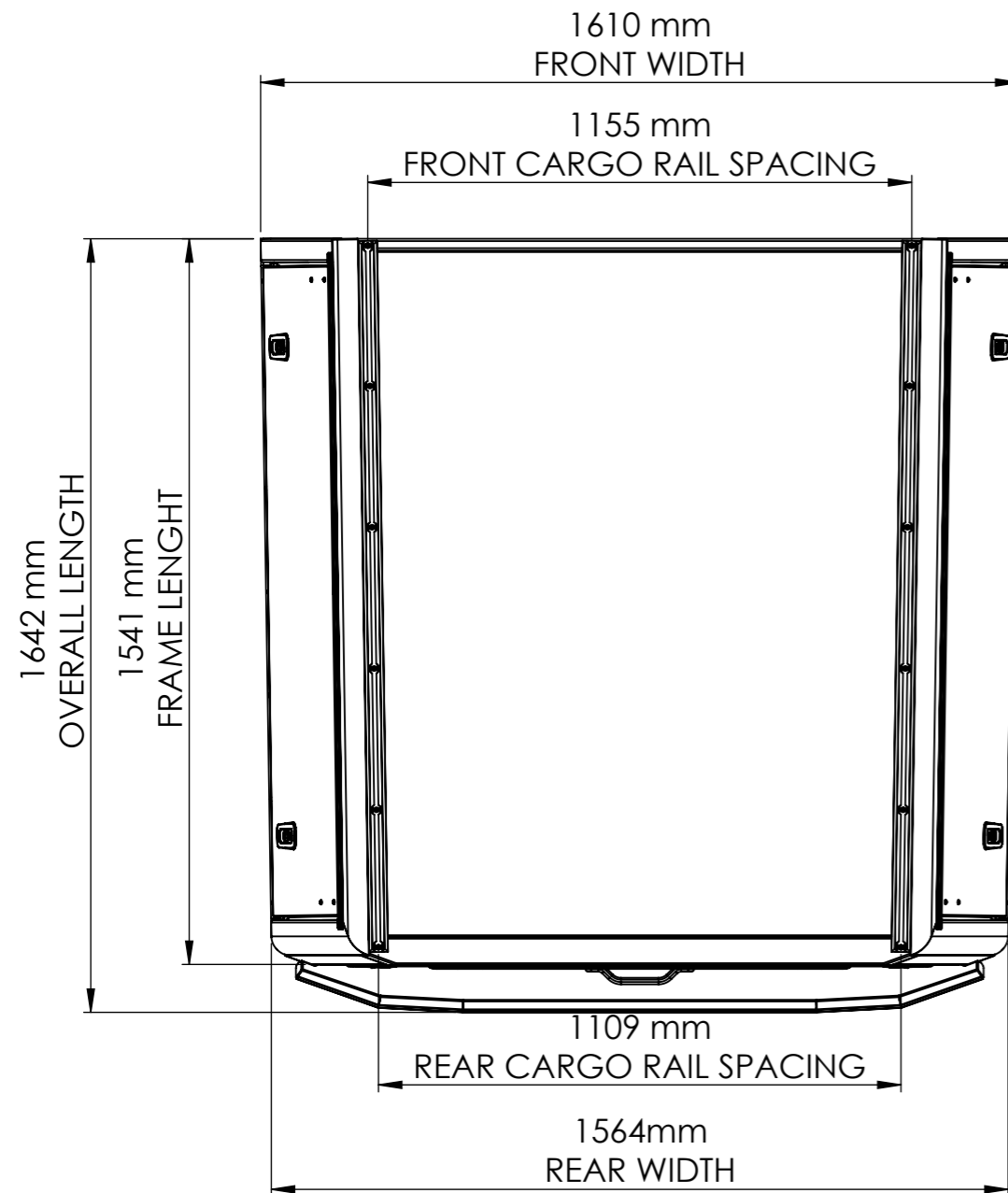
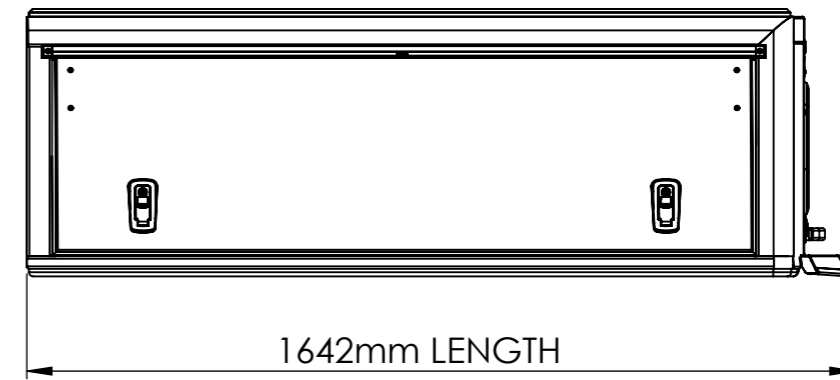
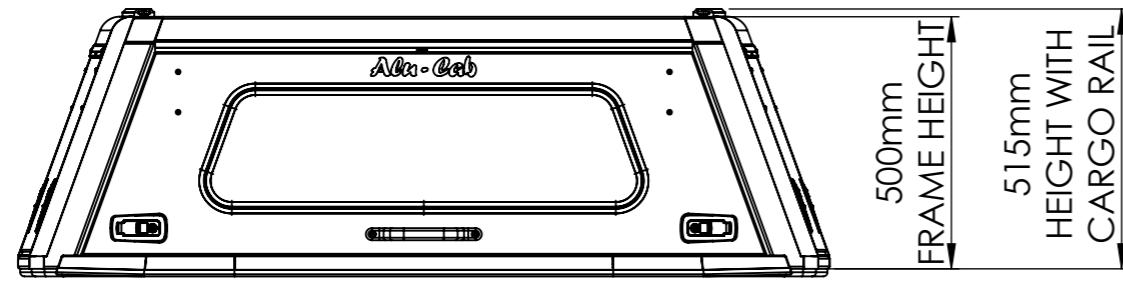

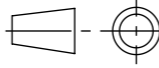


GENERAL ARRANGEMENT ONLY



TOLERANCES TO ASSUME UNLESS INDICATED OTHERWISE		MATERIAL DESCRIPTION:			MATERIAL THICKNESS (mm):																
DESCRIPTION:		SHEET:																			
PROJECT:		SCALE:																			
<table border="1"> <thead> <tr> <th>NOM DIMENSION RANGE (mm)</th> <th>TOLERANCE</th> </tr> </thead> <tbody> <tr> <td>0.50 - 3.00</td> <td>± 0.10</td> </tr> <tr> <td>3.00 - 6.00</td> <td>± 0.15</td> </tr> <tr> <td>6.00 - 30</td> <td>± 0.20</td> </tr> <tr> <td>30 - 120</td> <td>± 0.30</td> </tr> <tr> <td>120 - 400</td> <td>± 0.50</td> </tr> <tr> <td>400 - 1000</td> <td>± 1.00</td> </tr> <tr> <td>1000 - 1000<</td> <td>± 2.00</td> </tr> </tbody> </table>		NOM DIMENSION RANGE (mm)	TOLERANCE	0.50 - 3.00	± 0.10	3.00 - 6.00	± 0.15	6.00 - 30	± 0.20	30 - 120	± 0.30	120 - 400	± 0.50	400 - 1000	± 1.00	1000 - 1000<	± 2.00	FORD RANGER 2022 MAIN ASSEMBLY C-D-FR22-E		A3 1 of 1 1:15	
NOM DIMENSION RANGE (mm)	TOLERANCE																				
0.50 - 3.00	± 0.10																				
3.00 - 6.00	± 0.15																				
6.00 - 30	± 0.20																				
30 - 120	± 0.30																				
120 - 400	± 0.50																				
400 - 1000	± 1.00																				
1000 - 1000<	± 2.00																				
DRAWN BY: Jac Braamse		DATE: 2023-04-17		DRAWING NO. C-D-FR22-A00-GA																	
THE INFORMATION CONTAINED WITHIN THIS DOCUMENT IS THE INTELLECTUAL PROPERTY OF ALU-CAB (PTY) LTD				REV 00																	