

FITMENT INSTRUCTIONS

Alu-Cab™



76/78 MIRROR EXTENSIONS

All rights reserved. No part of this document may be reproduced, translated, stored in a retrieval system, or transmitted, in any form or by any means, electronic, mechanical, photocopying, recording or otherwise, without prior written permission of the owner.

Review all instructions information carefully before installation.

Any damages, direct or incidental to the installer and/or property due to incorrect installation of any parts are the responsibility of the installer. Due to the various applications and fitment options available, the responsibility lies with the user to ensure all mounting points are secure and tight before every trip. If unsure, consult with your Distributor regarding the operations of our products.

Users are advised to be mindful of the load they are carrying and drive in accordance with road conditions.

DISCLAIMER

Alu-Cab

1.1. Tools & Items Required:

TOOLS
Phillips Screw Driver
10mm Ring Spanner
4mm Allen Key

1.2. Fasteners supplied: (Included with Extension Kit)

ITEM	QTY
M6 SPRING WASHER	6
M6 OVERSIZED WASHER	14
M6X20 B/HD BOLT S/S	10
M6 NYLOC NUTS	2

1.3. Hardware Required: (Included with Extension Kit)

Nr	ITEM	DESCRIPTION	QTY
1	A-MIR-EXT-P001	MIRROR EXTENSION - OUTER	2
2	A-MIR-EXT-P002	MIRROR EXTENSION - INNER	2



WARNING

Always wear appropriate PPE (Personal protection equipment) when fitting this product. Although the mounting kit is designed to be DIY, if you have any doubts or concerns, contact an accredited fitment centre to carry out the work. Alu-Cab will not be liable for any injury to persons, and/or damage to products and/or vehicles.

2. FITTING THE MIRROR EXTENSIONS

STEP 1

Remove the side mirror by unscrewing the 2 bolts as indicated below.



STEP 2

Replace the mirror with the supplied "Mirror Extension - Outer" (A-MIR-EXT-P001). Fasten it into place using the 2 bolts you unscrewed to remove the mirror.

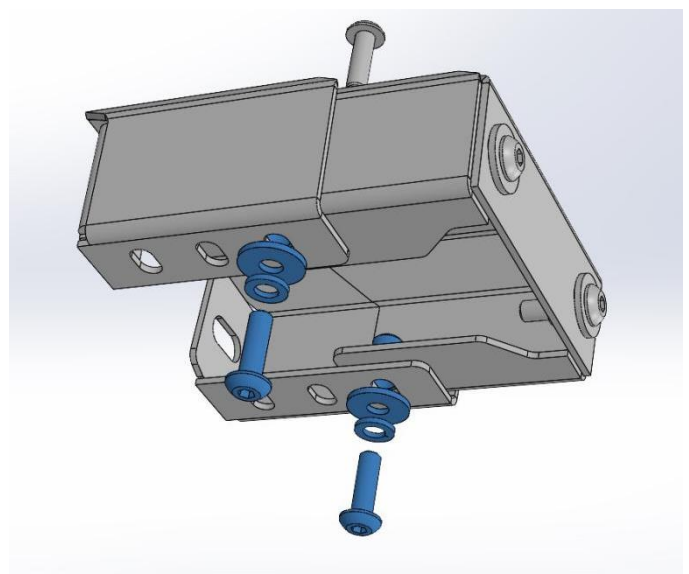
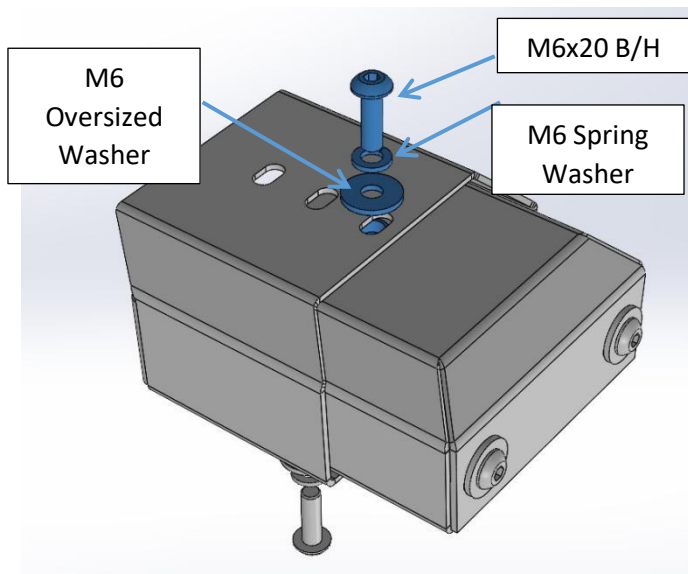


STEP 3

Insert the "Mirror Extension - Inner" (A-MIR-EXT-P002) into the fastened outer casing.



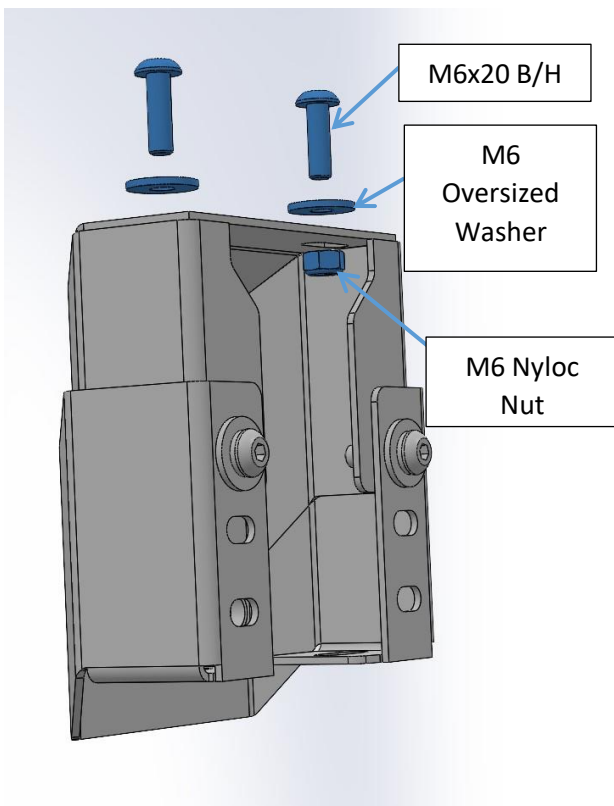
Lock the Inner Part in place by fastening with the supplied M6x20mm Button Head bolts, Spring Washers and Large flange washers, in 3 places (1 combination on top and 2 combinations at the bottom of the extension unit) as per images below





STEP 4

Finally, secure the mirror using M6x20 B/H bolts, Oversized washers and M6 Nyloc nuts.



3. ADJUSTING THE LEGTH OF THE MIRROR EXTENSIONS

STEP 1

Remove the M6x20 B/H bolts from the 3 securing positions.



STEP 2

Extend or retract the mirror and extensions using one of the three mounting positions for the desired length.



STEP 3

Fasten the M6x20 B/H bolt combinations to secure the mirror in place.



Your setup is now complete!

