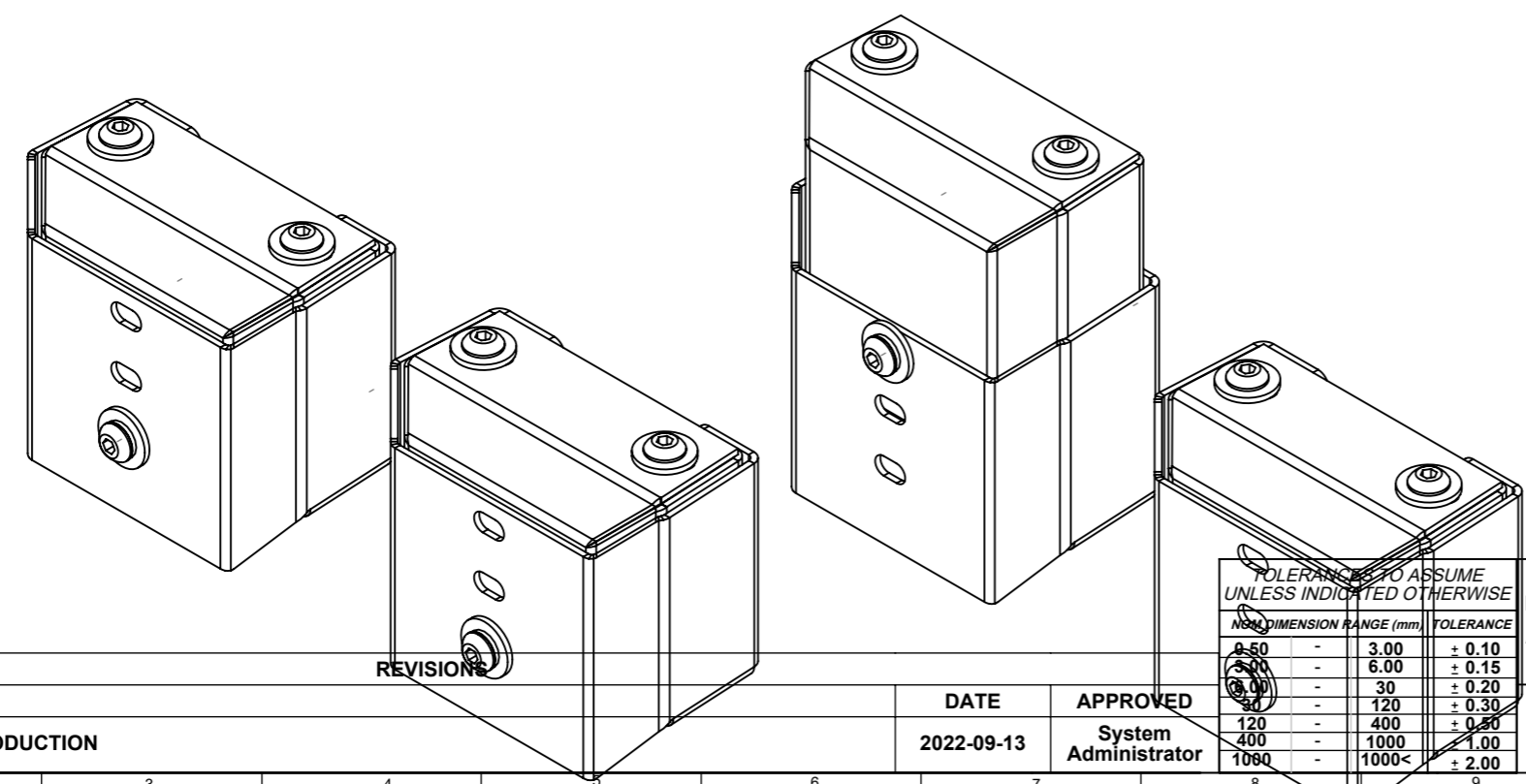
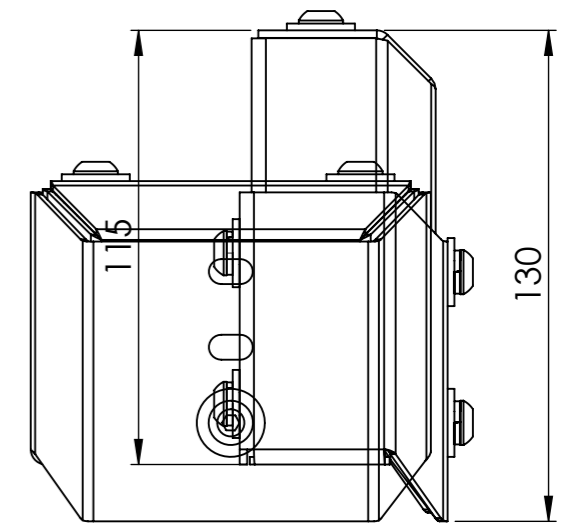
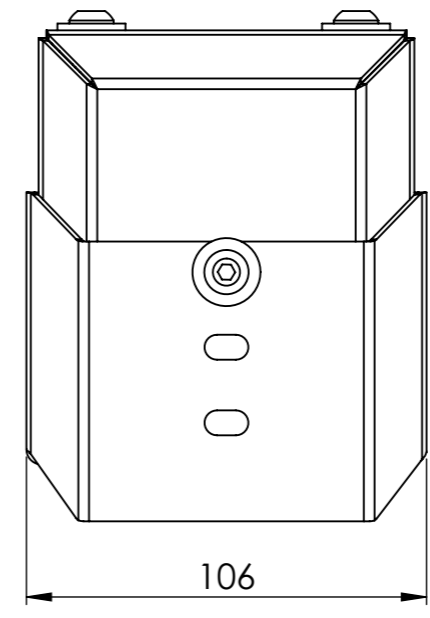
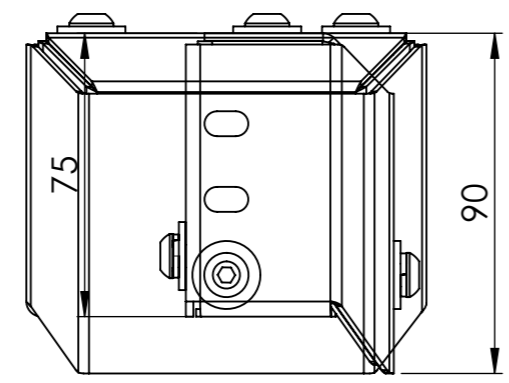
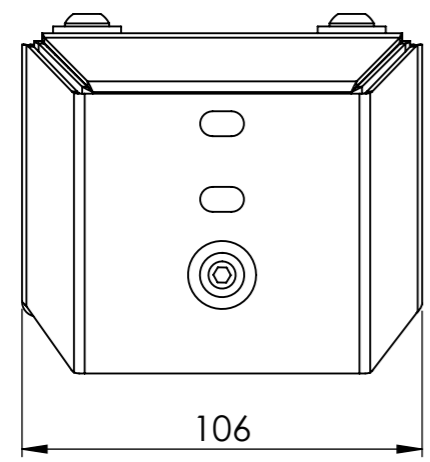
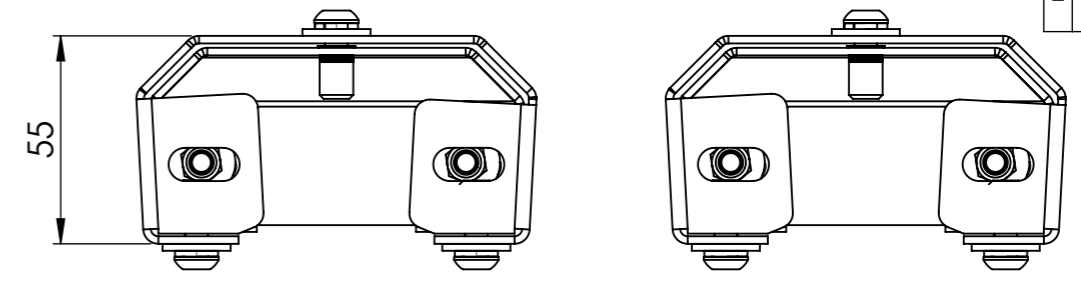
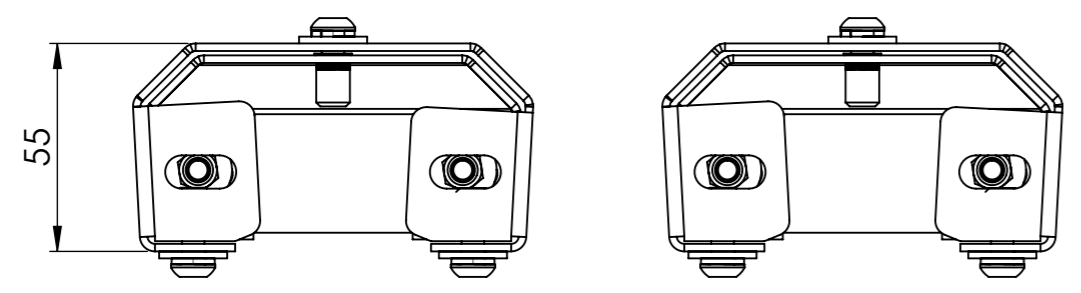


ASSY INFO	MASS (kg):	
	BONDED:	Y
	FASTENED:	Y
FINISH	WELDED:	
	TUMBLED:	
	BRUSHED:	
	POWDER:	
	SPRAY:	
	COLOUR:	N/A



TOLERANCES TO ASSUME UNLESS INDICATED OTHERWISE		
NO.	DIMENSION RANGE (mm)	TOLERANCE
1	0-50	± 0.10
2	50-120	± 0.15
3	120-300	± 0.20
4	300-1200	± 0.30
5	1200-4000	± 0.50
6	4000-10000	± 1.00
7	10000+	± 2.00

DESCRIPTION: MIRROR EXTENSION FOR LAND CRUISER 76 & 78 (SET OF 2)

PROJECT: A-MIR-EXT

DRAWN BY: System Administrator DATE: 2022-09-02

THE INFORMATION CONTAINED WITHIN THIS DOCUMENT IS THE INTELLECTUAL PROPERTY OF ALU-CAB (PTY) LTD

SHEET: 2 OF 2

SCALE: 1:2

DRAWING NO. A-MIR-EXT-GA



REV.	DESCRIPTION	DATE	APPROVED
00	RELEASED FOR PRODUCTION	2022-09-13	System Administrator

REV 00