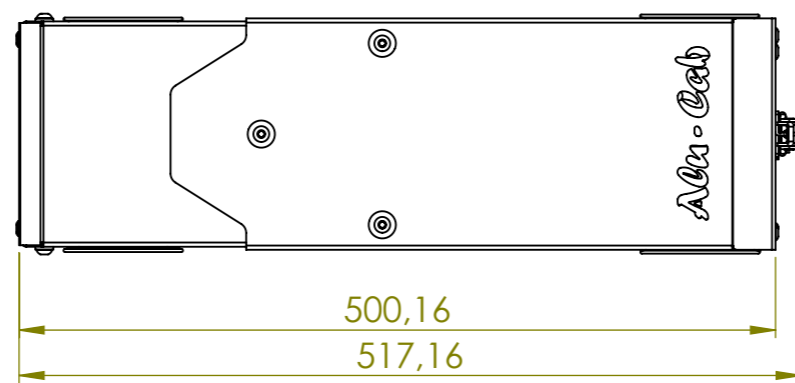
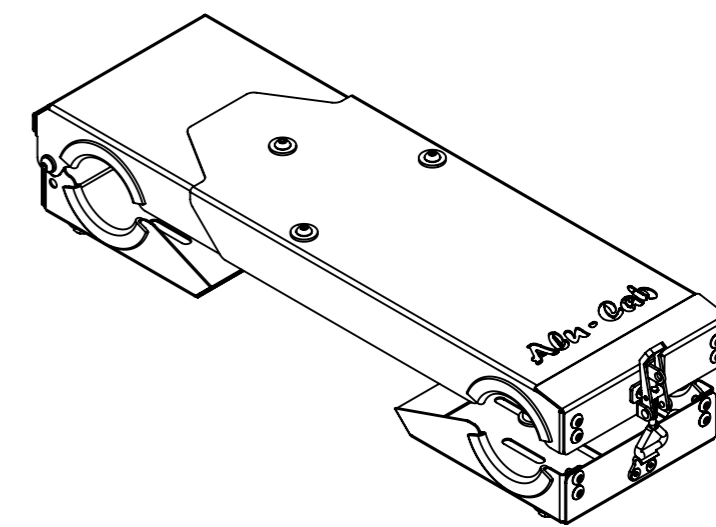
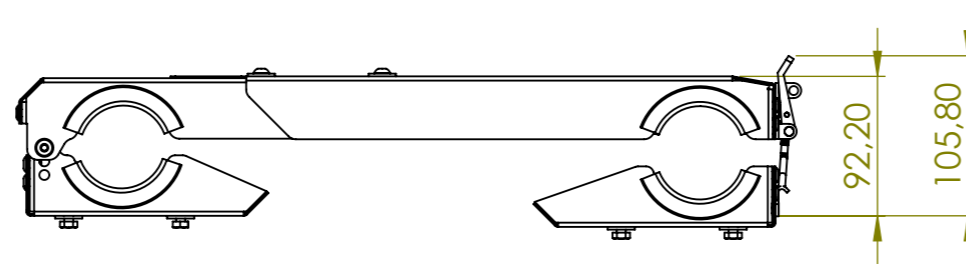
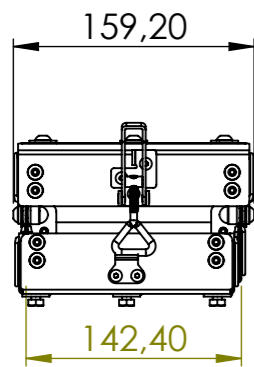


ASSY INFO	MASS (kg):	
	BONDED:	Y
	FASTENED:	Y
FINISH	WELDED:	
	TUMBLED:	
	BRUSHED:	
	POWDER:	
	SPRAY:	
	COLOUR:	N/A



TOLERANCES TO ASSUME
UNLESS INDICATED OTHERWISE

NOM DIMENSION	RANGE (mm)	TOLERANCE
0.50	- 3.00	± 0.10
3.00	- 6.00	± 0.15
6.00	- 30	± 0.20
30	- 120	± 0.30
120	- 400	± 0.50
400	- 1000	± 1.00
1000	- 1000<	± 2.00

DESCRIPTION:
2.0m & 2.6m LADDER STORAGE UNIT

PROJECT:
A-LAD-HOLD

DRAWN BY:
Reece Atkins

DATE:
2022-11-11

THE INFORMATION CONTAINED WITHIN THIS DOCUMENT IS THE INTELLECTUAL PROPERTY OF ALU-CAB (PTY) LTD

SHEET:
A3

SCALE:
1:5

SHEET
1 of 2

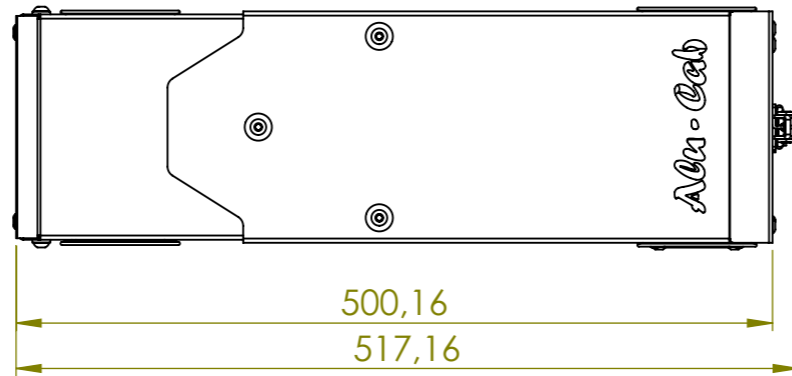
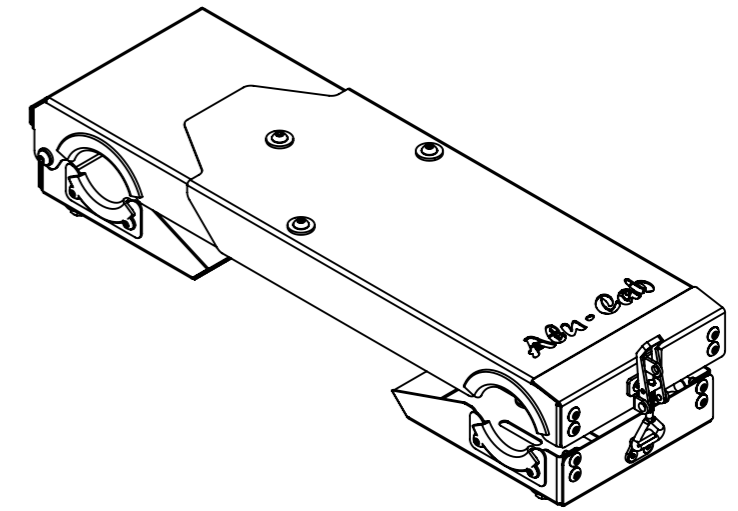
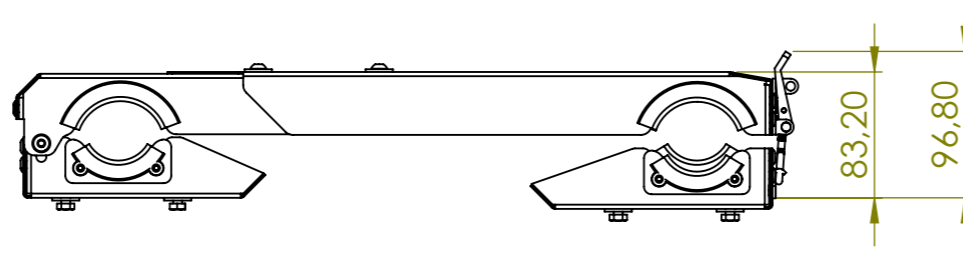
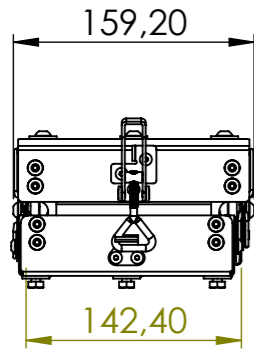
DRAWING NO.
A-LAD-HOLD-GA



REV.	DESCRIPTION	DATE	APPROVED

REV

ASSY INFO	MASS (kg):	
	BONDED:	Y
	WELDED:	
FINISH	TUMBLED:	
	BRUSHED:	
	POWDER:	
	SPRAY:	
	COLOUR:	N/A



TOLERANCES TO ASSUME UNLESS INDICATED OTHERWISE

NOM	DIMENSION	RANGE (mm)	TOLERANCE
0.50	-	3.00	± 0.10
3.00	-	6.00	± 0.15
6.00	-	30	± 0.20
30	-	120	± 0.30
120	-	400	± 0.50
400	-	1000	± 1.00
1000	-	1000<	± 2.00

DESCRIPTION:
PROJECT: **A-LAD-HOLD**

DRAWN BY: **Reece Atkins** DATE: **2022-11-11**

THE INFORMATION CONTAINED WITHIN THIS DOCUMENT IS THE INTELLECTUAL PROPERTY OF ALU-CAB (PTY) LTD

SHEET: **A3**
SCALE: **1:5**

SHEET **2 of 2**

Alu-Cab™
ULTIMATE OVERLAND PRODUCTS

DRAWING NO. **A-LAD-HOLD-GA**

REV

REV.	DESCRIPTION	DATE	APPROVED