



Fitment Instructions

Jerry Can Holder

Installation Instructions

Preliminary information

Installation and fitment instructions includes the tools required, fasteners included in the kit, and the hardware included in the kit.

Please follow the instructions and check installation steps with the images in this document.

Alu-Cab recommends that all sealing work is allowed to cure for 24 hours, after which you may drive the vehicle on normal paved roads. Before driving off-road with your Alu-Cab product or operating your roof conversion, an additional cure period of 48 hours is required.

Failure to follow these instructions will void your warranty. Please ensure that you follow the sealant manufacturers curing time as per their technical data sheet.

These times may differ slightly from the times we have recommended.



Service Enquiries email
queries@alu-cab.com

Installation Instructions

Fitment – Tools, Fasteners & Hardware

1.1

Tools & Items Required

| |
|--------------------------|
| 10mm Ring Spanner/Socket |
| 4mm Allen Key Socket |
| 5mm Allen Key Socket |
| 13mm Ring Spanner/Socket |
| Ratchet |

1.2

Fasteners Supplied (included with Mounting Kit)

| Description | Quantity |
|-------------------------|----------|
| 8 mm Nutcap | 8 |
| M8 NYLOC NUT S/S | 8 |
| M8x20 HEX BOLT S/S | 8 |
| M8x16mm FLAT WASHER S/S | 8 |
| M6 OVERSIZED WASHER | 8 |
| M6 NYLOC NUT S/S | 6 |
| M8 OVERSIZED WASHER | 8 |
| M6x20 B/HD BOLT S/S | 4 |

TECHNICAL SPECIFICATIONS

C-A-JCH-U

The Jerry Can Holder mounts in three different ways

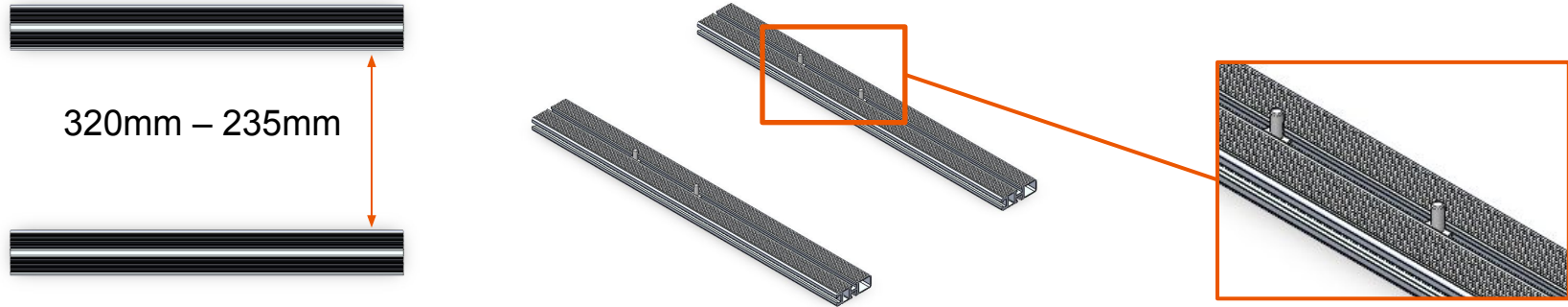
1. Directly to Load Bars
2. To Load Bar Extension Brackets
3. To the Canopy Camper / Alu-Cabin Molle-Plate

TECHNICAL SPECIFICATIONS

Fitment to Load Bars

In order to fit the Jerry Can Holder to the Load bars you need to space them evenly. The required distance between the load bars needs to be between 320 to 235 mm.

With the load bars in the correct position slide 2 off M8x20 Hex head nuts into the top nut slot on each load bar.

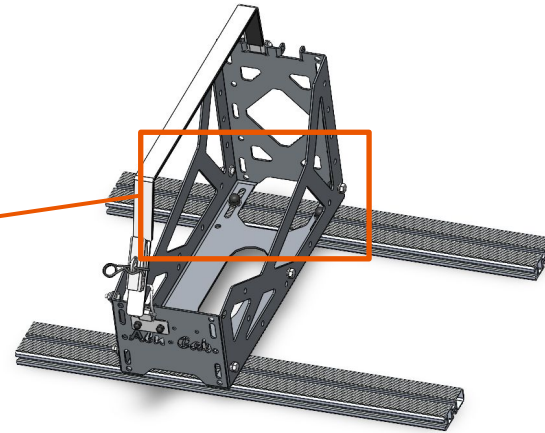
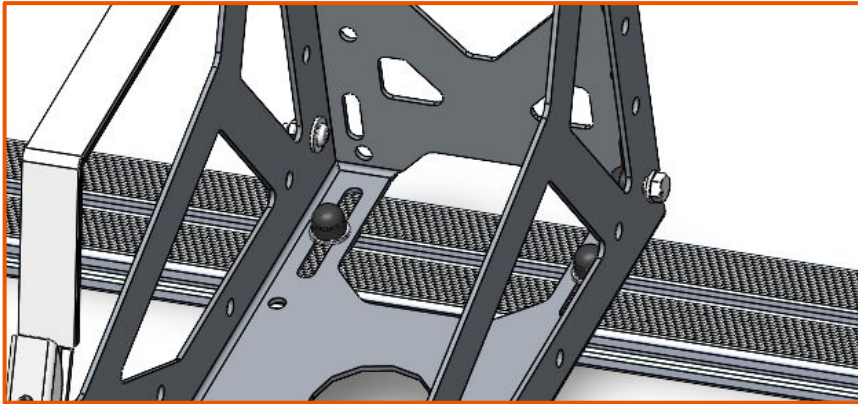


TECHNICAL SPECIFICATIONS

Fitment to Load Bars

Align them with the slot cut outs on the back of the Jerry Can holder and fasten the holder down using the supplied M8 oversized flat washer, nylock nut and nut caps.

Congratulations you are complete with your fitment!



TECHNICAL SPECIFICATIONS

Fitment to Load Bars Extension Brackets

In order to fit the Jerry Can Holder to the Load bars Extension Brackets you need to space the load bars evenly. The required distance between the load bars needs to be between 320 to 235 mm.



Load Bar Extension Bracket

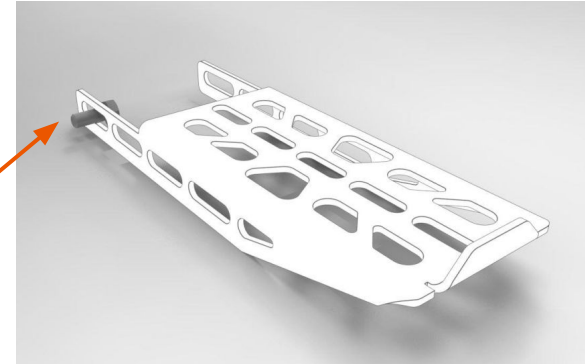
TECHNICAL SPECIFICATIONS

Fitment to Load Bars Extension Brackets

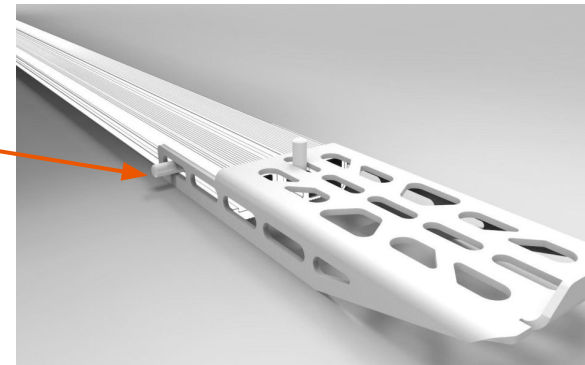
With the Load Bars in the correct position start the installation by fitting the Load Bar Extensions Brackets.

1. Remove the Load Bar End Caps
2. Insert the hex bolt into the bracket on the side that corresponds with the nut slot on the load bar.
3. Insert second hex bolt into the bracket on the top side of the nut slot

2



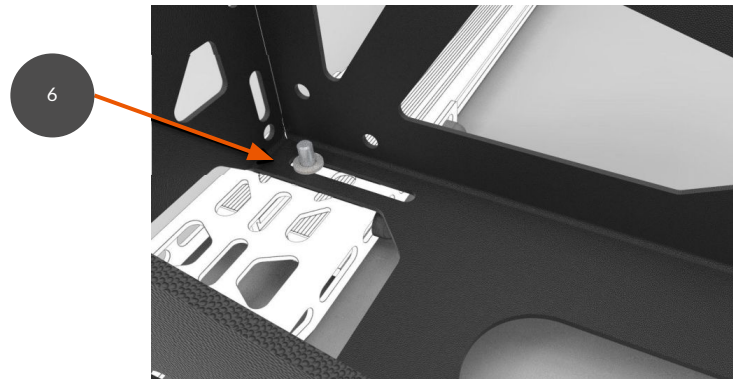
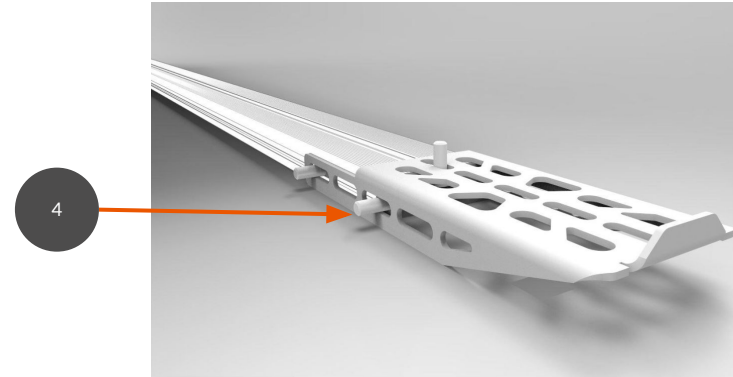
3



TECHNICAL SPECIFICATIONS

Fitment to Load Bars Extension Brackets

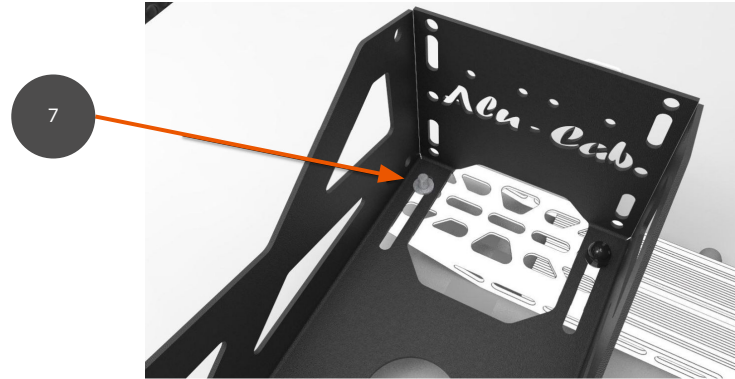
4. Insert the third hex bolt into the front nut slot.
5. Repeat this on both load bars
6. Fit the Jery Can Holder on the hex bolt that is positioned on the top of the load bar and slide a M8 oversized washer over the bolt.



TECHNICAL SPECIFICATIONS

Fitment to Load Bars Extension Brackets

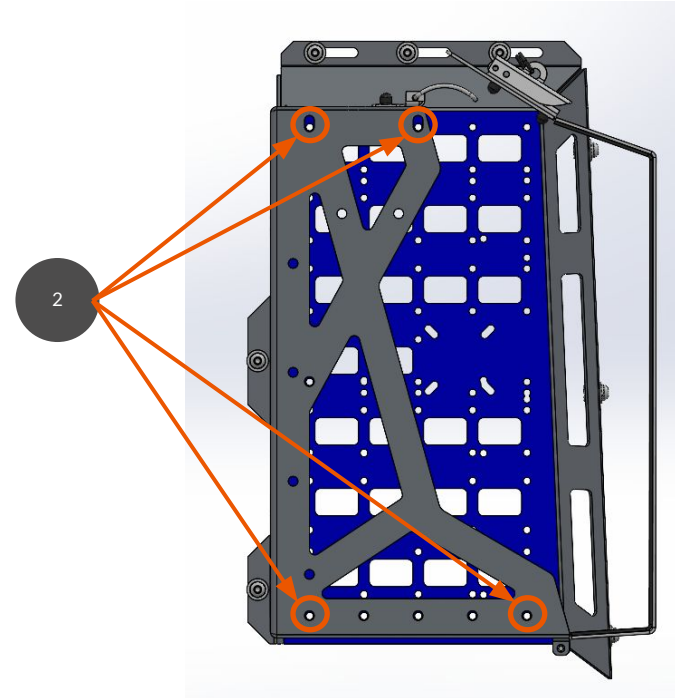
7. Slide the supplied M8x20 hex bolt and oversized flat washer through the slot in the extension brackets and the slot in the Jerry Can Holder. Place an oversized flat washer on the inside of the Jerry Can Holder, similar to step 6.
8. Fasten down the Jerry Can Holder using the supplied M8 Nylock and then place a nut cap on the nut.
9. Repeat this on the other side of the Jerry Can and your installation has been completed.



TECHNICAL SPECIFICATIONS

Fitment to Canopy Camper / Alu-Cabin Molle-Plate

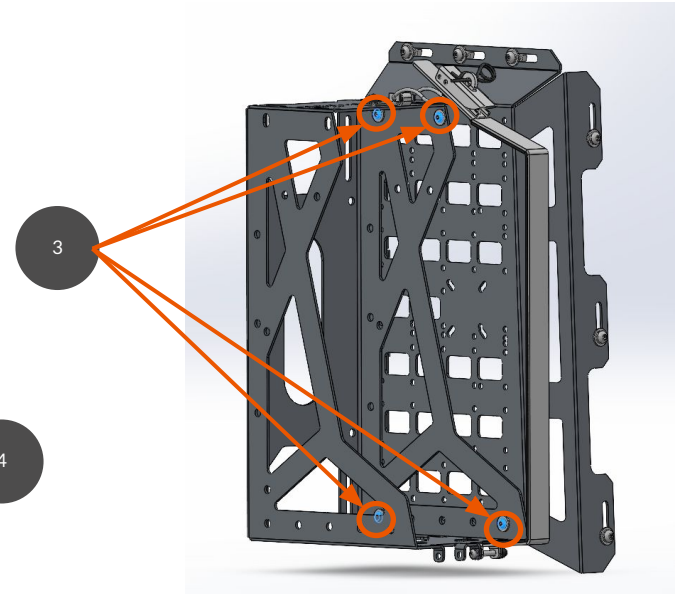
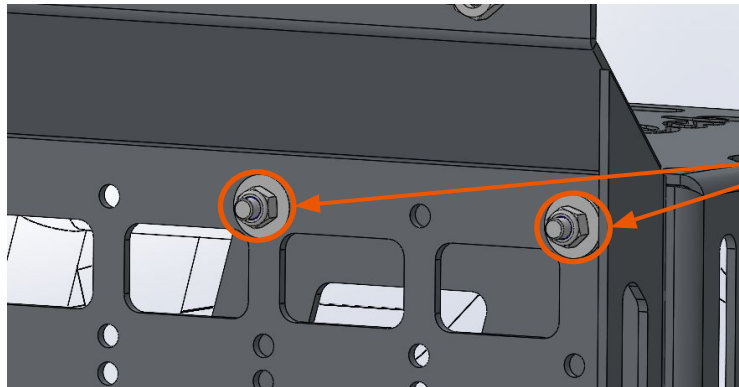
1. The first step to fitting the Jerry Can Holder to the Molle Plate is to remove the Molle plate from your canopy camper.
2. Find the correct holes to fit your Jerry Can Holder to.



TECHNICAL SPECIFICATIONS

Fitment to Canopy Camper / Alu-Cabin Molle-Plate

3. Slide the four off supplied M6x20 bolts, and four off supplied M6 oversized washers through the correct holes.
4. Fasten down the Jerry Can Holder using the supplied M6 Nylocks and flat washers



TECHNICAL SPECIFICATIONS

Fitment to Canopy Camper / Alu-Cabin Molle-Plate

5. Remount the Molle Plate with the Jerry Can Holder in place
6. Congratulations your installations is complete!

