

ASSY INFO	MASS (kg):	1498.1
	BONDED:	
	FASTENED:	Y
FINISH	WELDED:	
	TUMBLED:	
	BRUSHED:	
	POWDER:	
	SPRAY:	
	COLOUR:	N/A

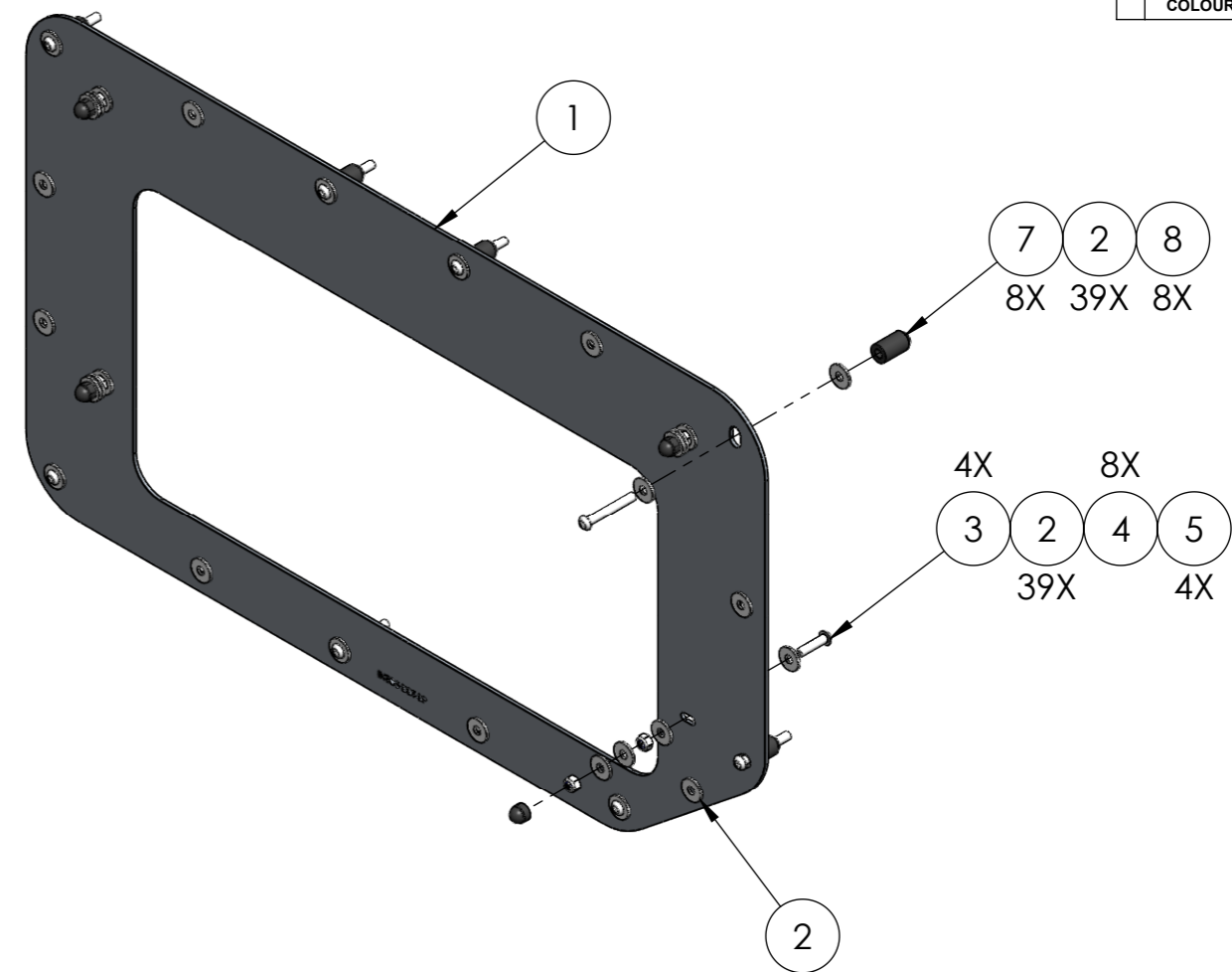


TABLE NOT INCLUDED

ITEM NO.	PART NUMBER	DESCRIPTION	QTY
1	IG-A-DDT-MNT-KIT-P001	INEOS GRENADIER DROP DOWN TABLE BACKING PLATE	1
2	FFW-M6	M6x18mm OVERSIZED WASHER S/S - DIN 9021	39
3	BHD-M6x25	M6x25 B/HD BOLT S/S	4
4	NY-M6	M6 NYLOC NUT S/S	8
5	NCAP-M6	NUT CAP-06mm	4
6	BX-SFS	SMALL FRIDGE SLIDE - BOX	1
7	AC001-SPACER-BUSH-01	BLACK NYLON SPACER BUSH	8
8	BHD-M6x45	M6x45 B/HD BOLT S/S	8

<p>TOLERANCES TO ASSUME UNLESS INDICATED OTHERWISE</p> <table border="1"> <thead> <tr> <th>NOM DIMENSION</th> <th>RANGE (mm)</th> <th>TOLERANCE</th> </tr> </thead> <tbody> <tr> <td>0.50</td> <td>- 3.00</td> <td>± 0.10</td> </tr> <tr> <td>3.00</td> <td>- 6.00</td> <td>± 0.15</td> </tr> <tr> <td>6.00</td> <td>- 30</td> <td>± 0.20</td> </tr> <tr> <td>30</td> <td>- 120</td> <td>± 0.30</td> </tr> <tr> <td>120</td> <td>- 400</td> <td>± 0.50</td> </tr> <tr> <td>400</td> <td>- 1000</td> <td>± 1.00</td> </tr> <tr> <td>1000</td> <td>- 1000<</td> <td>± 2.00</td> </tr> </tbody> </table>		NOM DIMENSION	RANGE (mm)	TOLERANCE	0.50	- 3.00	± 0.10	3.00	- 6.00	± 0.15	6.00	- 30	± 0.20	30	- 120	± 0.30	120	- 400	± 0.50	400	- 1000	± 1.00	1000	- 1000<	± 2.00	<p>DESCRIPTION: INEOS GRENADIER REAR DOOR DDT BACKING PLATE</p>		<p>SHEET: A3</p>		<p>SHEET 1 of 1</p>			
NOM DIMENSION	RANGE (mm)	TOLERANCE																															
0.50	- 3.00	± 0.10																															
3.00	- 6.00	± 0.15																															
6.00	- 30	± 0.20																															
30	- 120	± 0.30																															
120	- 400	± 0.50																															
400	- 1000	± 1.00																															
1000	- 1000<	± 2.00																															
<p>PROJECT: IG-A-DDT-MNT-KIT</p>		<p>SCALE: 1:5</p>		<p>DRAWING NO. IG-A-DDT-MNT-KIT</p>		<p>REV 02</p>		<p>THE INFORMATION CONTAINED WITHIN THIS DOCUMENT IS THE INTELLECTUAL PROPERTY OF ALU-CAB (PTY) LTD</p>																									
<p>DRAWN BY: Isma-eel Ariefdien</p>		<p>DATE: 2023-10-03</p>		<p>DRAWING NO. IG-A-DDT-MNT-KIT</p>		<p>REV 02</p>		<p>THE INFORMATION CONTAINED WITHIN THIS DOCUMENT IS THE INTELLECTUAL PROPERTY OF ALU-CAB (PTY) LTD</p>																									

REVISIONS			
REV.	DESCRIPTION	DATE	APPROVED
01		2023-11-07	System Administrator
02		2023-11-25	System Administrator