



FITMENT INSTRUCTIONS

Toyota Landcruiser Canopy Camper SC / DC Side Door Midgie Net Fitment Instructions

Installation Instructions

Preliminary information

Installation and fitment instructions includes the tools required, fasteners included in the kit, and the hardware included in the kit.

Please follow the instructions and check installation steps with the images in this document.

Alu-Cab recommends that all sealing work is allowed to cure for 24 hours, after which you may drive the vehicle on normal paved roads. Before driving off-road with your Alu-Cab product or operating your roof conversion, an additional cure period of 48 hours is required.

Failure to follow these instructions will void your warranty. Please ensure that you follow the sealant manufacturers curing time as per their technical data sheet.

These times may differ slightly from the times we have recommended.



Service Enquiries email
queries@alu-cab.com

Installation Instructions

Canopy Fitment – Tools, Fasteners & Hardware

1.1

Tools Required

| |
|--|
| * 3M PA-1 Hand Applicator / Plastic Paddle |
| Rivet Gun |
| Measuring Tape |

1.2

Items Supplied (included with Mozzie Nets)

| | |
|--|----|
| CANOPY CAMPER LAND CRUISER (SC) - SIDE WINDOW MESH CURTAIN - SMALL | 1 |
| CANOPY CAMPER LAND CRUISER (DC) - SIDE WINDOW MESH CURTAIN - LARGE | 1 |
| LOOP VELCRO (SOFT) - 25mm BLACK - 5m LONG | 1 |
| M5x15mm OVERSIZED WASHER S/S - DIN 9021 | 22 |
| SEALED BLIND RIVET | 22 |

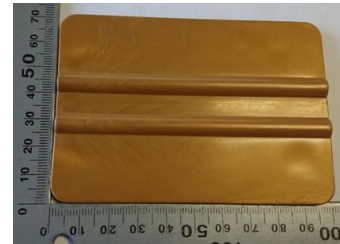
**EITHER THE SC
OR DC MESH IS
SUPPLIED
DEPENDING ON
WHICH KIT WAS
ORDERED**

1.3

Items not Supplied but Required

| |
|---|
| Alcohol-based cleaning agent (50/50 Isopropyl Alcohol and water mixture is best) |
| Cloth |
| 3M Tape Primer 94 (Advised for optimal results) |
| Window Cleaner |

*3M PA-1 Hand Applicator



This tool ensures that even pressure is applied when seating the self-adhesive Velcro, and aids in effective curing of the adhesive glue. Alternative tools, or methods can be used, but it is highly advised to use this tool, or similar, to achieve the best results

Installation Instructions

Canopy Fitment – Tools, Fasteners & Hardware

2.1

Surface Preparation: Cleaning

The surfaces that need to be cleaned with the 50/50 mixture of Isopropyl Alcohol and water are indicated in Figure 1, below. Use a clean cloth/rag to gently wipe the indicated surfaces (blue) with the cleaning mixture. Allow enough time for evaporation. (The surfaces should be bone dry before progressing to the next step).

2.2

Surface Preparation: Priming

This step is highly recommended for optimal results. Use a new, clean cloth/rag to lightly wipe the same indicated surfaces with 3M Tape Primer 94. Allow the primer to 'flash off'. (The surfaces should be bone dry before progressing to the next step).

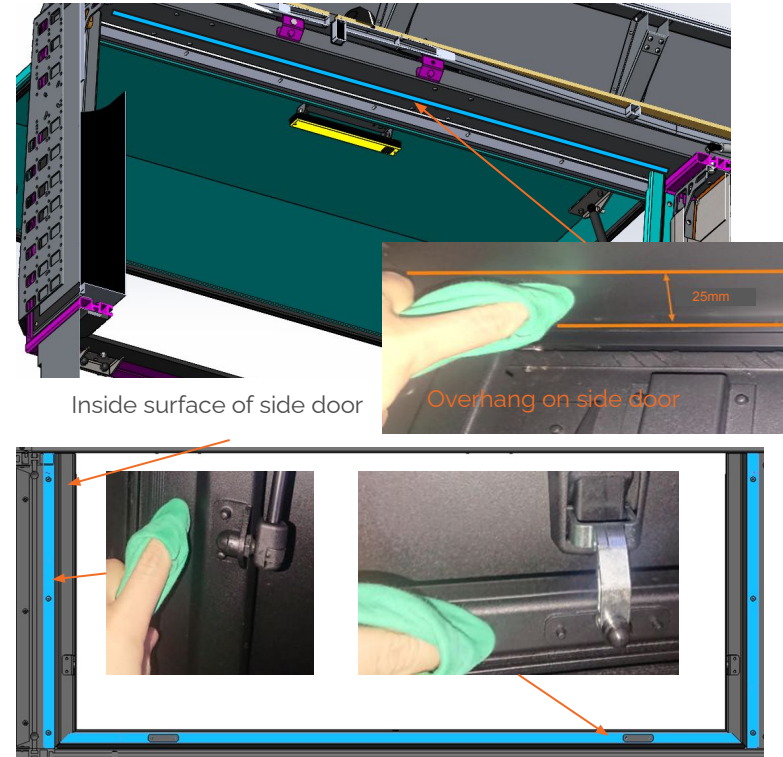


Figure 1: Cleaning / Priming Surface Indication, around Side Door

Installation Instructions

Canopy Fitment – Tools, Fasteners & Hardware

3.1

Velcro Application: Top Strip (1320 Long(DC) or 940 Long (SC))

Measure the distances on your Landcruiser Canopy Camper. For the single cab the top distance on the opening of the door should be 940mm. For the double cab the distance should be 1320mm.

Cut a velcro strip 1320mm(DC) long or 940mm(SC) long. Centre the strip of Velcro, with the side door opening, to double check that the correct length will be applied. The ends of the Velcro strip must align with the vertical edges of the side door frame. Shown in Figure 2, below:

Peel back the white backing layer, and apply the Velcro, starting at the one end, flush on both edges of the frame, and work your way along the length slowly. After the Velcro is seated, use the 3M PA-1 Applicator to apply a smooth, constant pressure sweep from one end to the other. This even pressure activates the bonding adhesive, and pushes out air bubbles. See Figure 2.

Align velcro with the vertical edge of side door

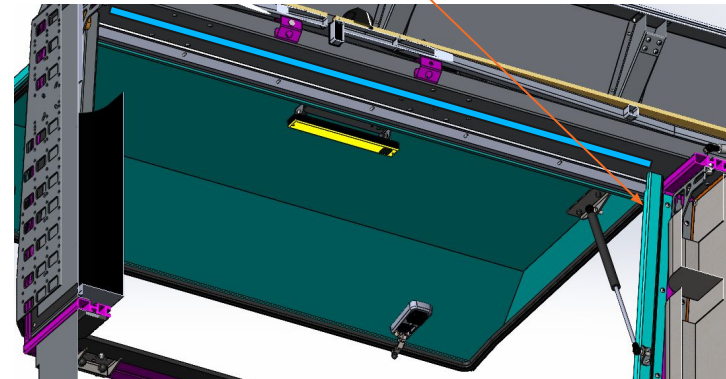


Figure 2: Velcro Application (Top Surface)

Installation Instructions

Canopy Fitment – Tools, Fasteners & Hardware

3.2

Velcro Application: Side and Bottom Strips

Double check all lengths before cutting the velcro pieces.

Cut two velcro strips 750mm long. Centre the 750mm long strip of Velcro, with the vertical portion of the side door opening, to double check that the correct length will be applied. The ends of the Velcro strip must align with the top horizontal edges of the side door.

The bottom velcro application varies in length for the Single Cab and Double Cab Canopy Campers.

Double Cab:

2 pieces 150mm long and 1 piece 940mm long

Single Cab:

2 pieces 150mm long and 1 piece 690mm long

Velcro piece positions shown in Figure 3:

Peel back the white backing layer, and apply the Velcro, starting at the one end, flush on both edges of the frame, and work your way along the length slowly. After the Velcro is seated, use the 3M PA-1 Applicator to apply a smooth, constant pressure sweep from one end to the other. This even pressure activates the bonding adhesive, and pushes out air bubbles. See Figure 3.

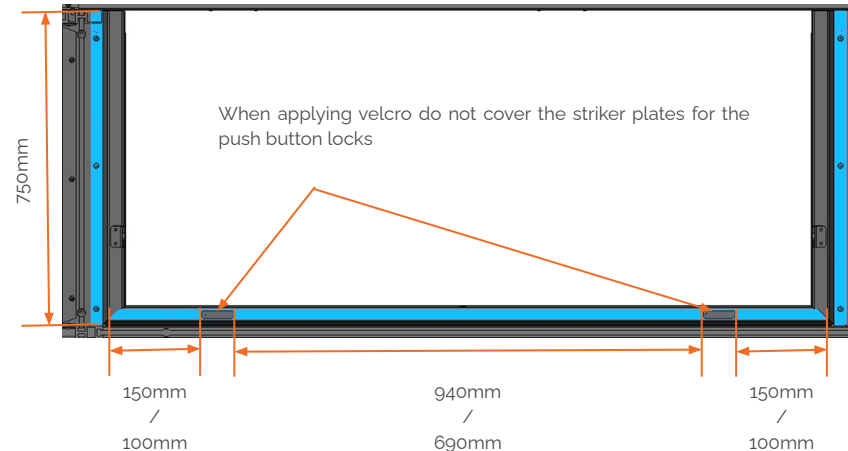


Figure 3: Velcro Application (Side & Bottom Surfaces)

Installation Instructions

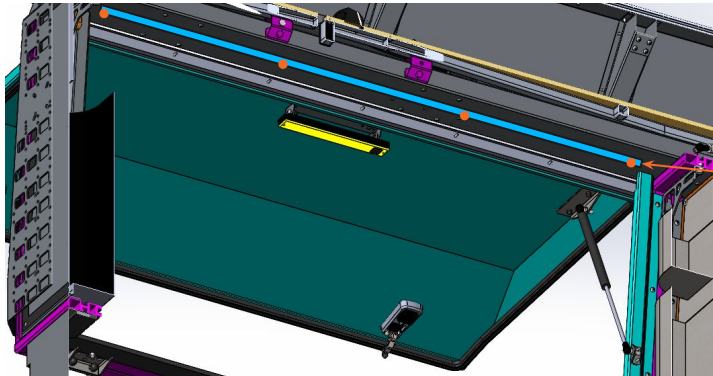
Canopy Fitment – Tools, Fasteners & Hardware

4

Optional: Fastening Velcro in Place using Rivets and Flat Washers

An optional extra step would be to fasten the velcro in place using the supplied rivets and flat washers. With the velcro in place drill holes as indicated in Figure 5.

As a general rule drill a hole at the start and end of each velcro strip. Rivet the velcro down using the supplied blind rivet slipped into the flat washer. Repeat this step for each velcro strip.



Approximate hole positions indicated in orange.

Figure 5&6: Rivet Hole Positioning

Installation Instructions

Canopy Fitment – Tools, Fasteners & Hardware

5

Mozzie / Midgie Net Fitment

Simply line up, and attach the Side Door Mozzie / Midgie Net, starting at the top two (2) corners, and working your way down.

The top corners, when aligned, will look like Figure 7, below:



Allow 24 hours cure time for the Self-Adhesive Velcro, before attaching the Rear Door Mozzie / Midgie Net.



Figure 7: Side Door Mozzie / Midgie Net Installed

Disclaimer

All rights reserved. No part of this website may be reproduced, translated, stored in a retrieval system, or transmitted, in any form or by any means, electronic, mechanical, photocopying, recording or otherwise, without prior written permission of the owner.

Review all instructions information carefully before installation.

Any damages, direct or incidental to the installer and/or property due to incorrect installation of any parts are the responsibility of the installer. Due to the various applications and fitment options available, the responsibility lies with the user to ensure all mounting points are secure and tight before every trip.

If unsure, consult with your Distributor regarding the operations of our products.

Users are advised to be mindful of the load they are carrying and drive in accordance with road conditions.

WARNING

Always wear appropriate PPE (Personal protection equipment) when fitting our products. Although the mounting kit is designed to be DIY, if you have any doubts or concerns, contact an accredited fitment centre to carry out the work. Alu-Cab will not be liable for any injury to persons, and/or damage to products and/or vehicles.

While Alu-Cab Holdings takes reasonable measures to ensure that the contents of this Website are accurate and complete, Alu-Cab Holdings makes no representations or warranties, whether express or implied, as to the quality, timeliness, operation, integrity, availability or functionality of this Website or as to the accuracy, completeness or reliability of any information on this Website. Alu-Cab Holdings reserves the right to make changes, corrections and/or improvements to the information and to the products and programs described in such information, at any time without notice.

Alu-Cab Holdings will use reasonable endeavours to maintain the availability of the Website, except during scheduled maintenance periods, and reserves the right to discontinue providing the Website or the service or any part thereof with or without notice to you. Any person who accesses this Website or relies on this Website or on the information contained in this Website does so at his or her own risk.

Occasionally, at our discretion, we may include or offer third-party products or services on our website. These third-party sites have separate and independent privacy policies. We therefore have no responsibility or liability for the content and activities of these linked sites. Nonetheless, we seek to protect the integrity of our site and welcome any feedback about these sites.