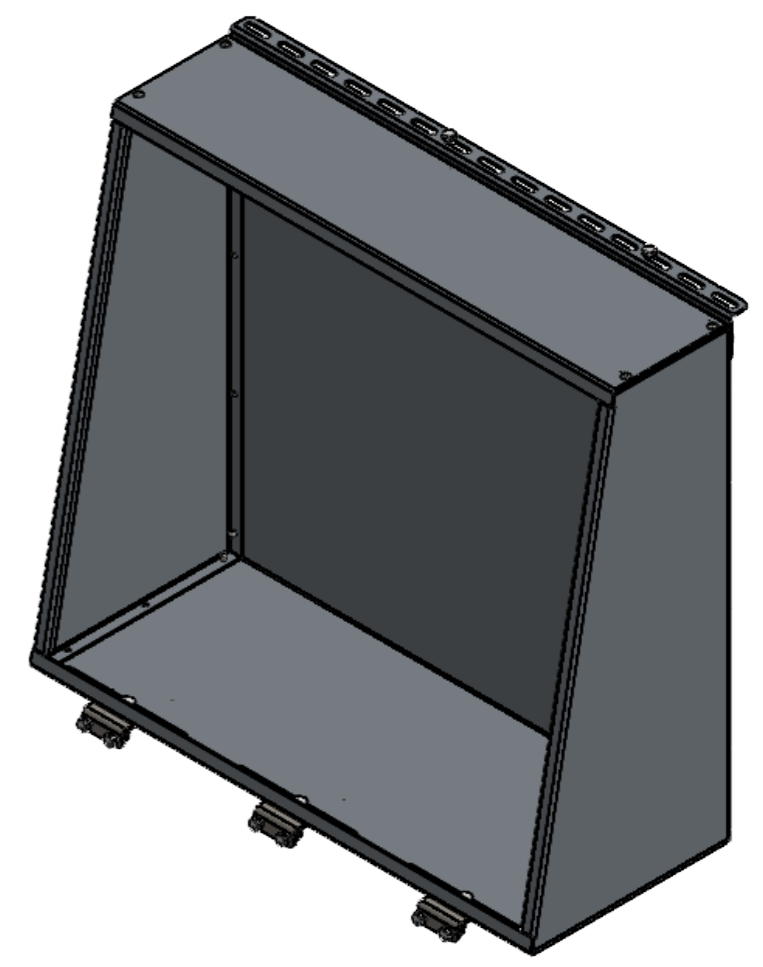
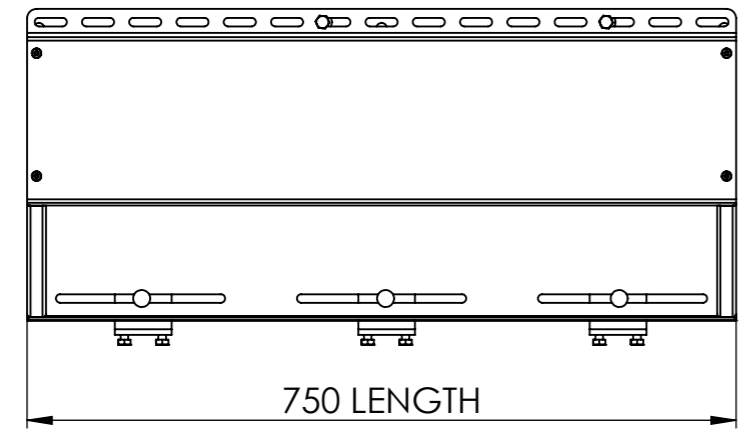
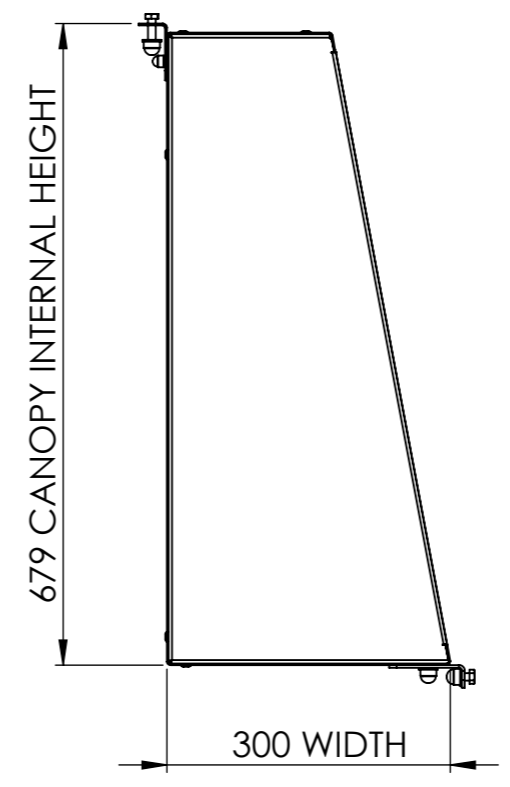
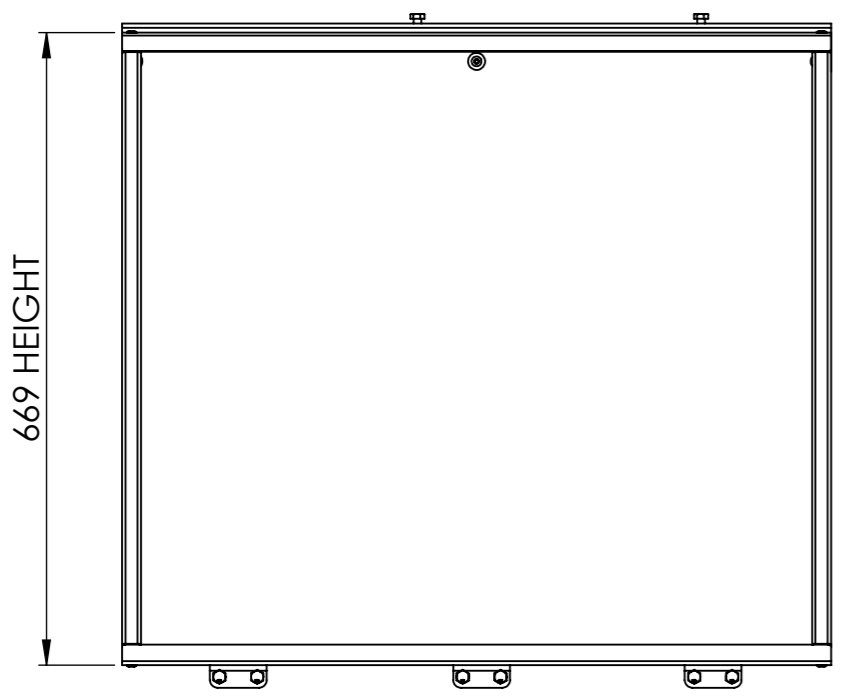


ASSY INFO	MASS (kg):	
	BONDED:	
FINISH	FASTENED:	Y
	WELDED:	
	TUMBLED:	
	BRUSHED:	
	POWDER:	
	SPRAY:	
	COLOUR:	N/A



TOLERANCES TO ASSUME UNLESS INDICATED OTHERWISE

NOM DIMENSION	RANGE (mm)	TOLERANCE
0.50	- 3.00	± 0.10
3.00	- 6.00	± 0.15
6.00	- 30	± 0.20
30	- 120	± 0.30
120	- 400	± 0.50
400	- 1000	± 1.00
1000	- 1000<	± 2.00

DESCRIPTION:
KITCHEN KITTING INCLUDING CUPBOARD - LAND CRUISER

PROJECT:
C-A-CB750

DRAWN BY:
System Administrator

DATE:
2023-03-17

THE INFORMATION CONTAINED WITHIN THIS DOCUMENT IS THE INTELLECTUAL PROPERTY OF ALU-CAB (PTY) LTD

SHEET:
1 of 2

SCALE:
1:8

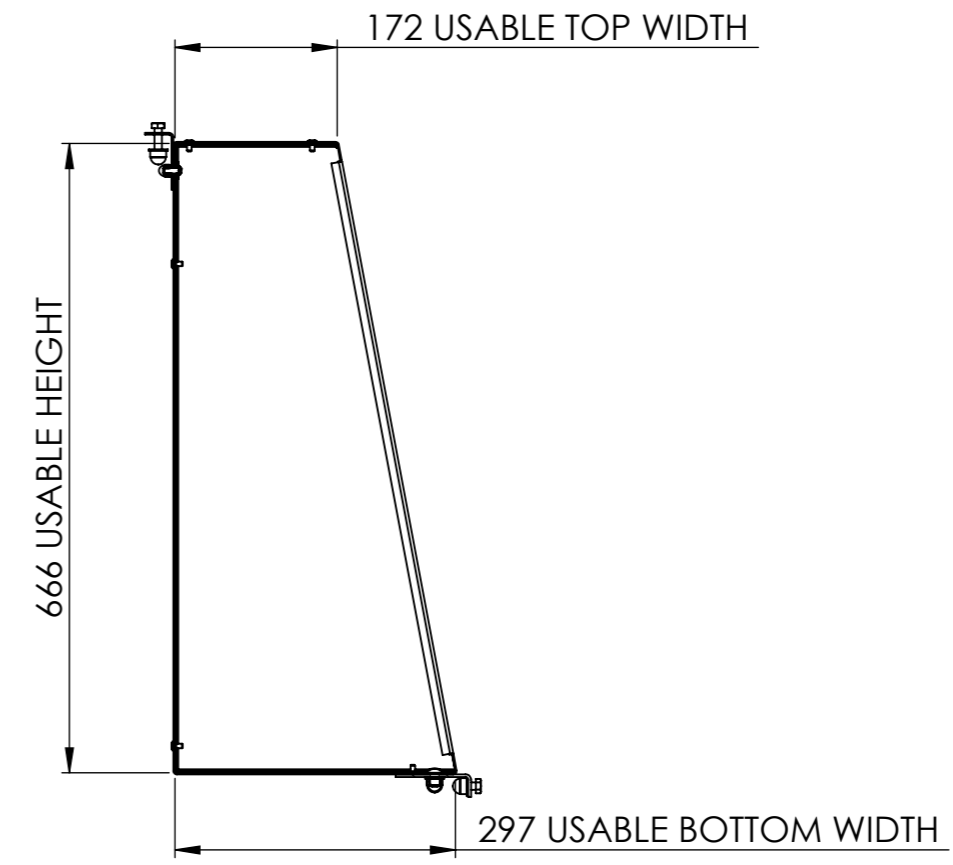
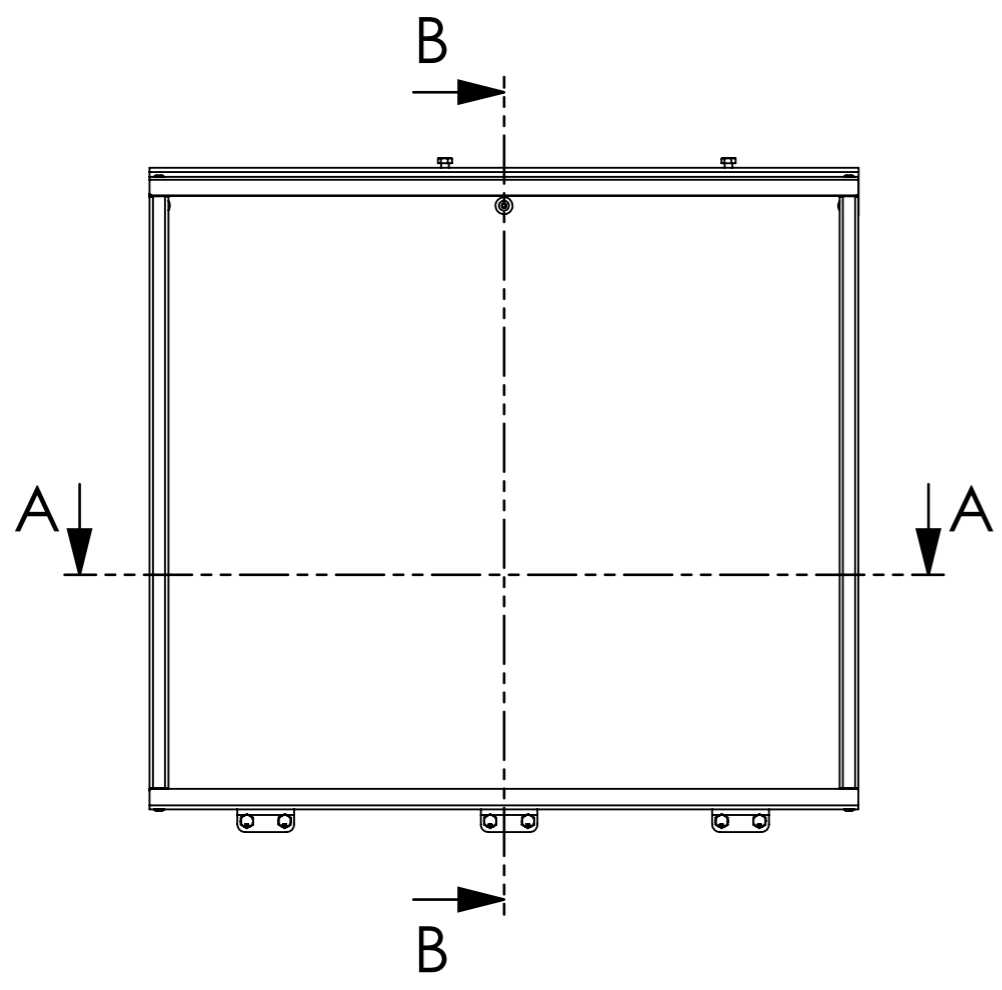


DRAWING NO.
C-A-CB750-GA

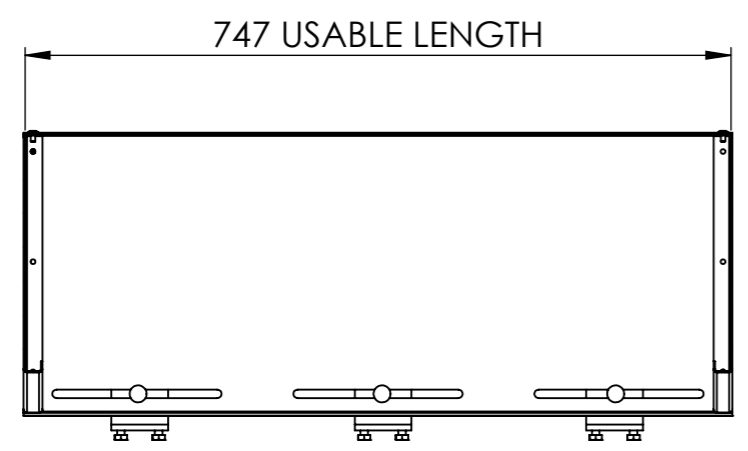
REV

REV.	DESCRIPTION	DATE	APPROVED
1			
2			
3			
4			
5			

ASSY INFO	MASS (kg):	
	BONDED:	
FINISH	FASTENED:	Y
	WELDED:	
	TUMBLED:	
	BRUSHED:	
	POWDER:	
	SPRAY:	
	COLOUR:	N/A



SECTION B-B



SECTION A-A

TOLERANCES TO ASSUME UNLESS INDICATED OTHERWISE

NOM	DIMENSION	RANGE (mm)	TOLERANCE
0.50	-	3.00	± 0.10
3.00	-	6.00	± 0.15
6.00	-	30	± 0.20
30	-	120	± 0.30
120	-	400	± 0.50
400	-	1000	± 1.00
1000	-	1000<	± 2.00

DESCRIPTION:
KITCHEN KITTING INCLUDING CUPBOARD - LAND CRUISER

PROJECT:
C-A-CB750

DRAWN BY:
System Administrator

DATE:
2023-03-17

THE INFORMATION CONTAINED WITHIN THIS DOCUMENT IS THE INTELLECTUAL PROPERTY OF ALU-CAB (PTY) LTD

SHEET:
2 of 2

SCALE:
1:8

DRAWING NO.
C-A-CB750-GA



REV