

FITMENT INSTRUCTIONS

Alu-CabTM



TOYOTA HILUX REVO CANOPY CAMPER

All rights reserved. No part of this document may be reproduced, translated, stored in a retrieval system, or transmitted, in any form or by any means, electronic, mechanical, photocopying, recording or otherwise, without prior written permission of the owner.

Review all instructions information carefully before installation.

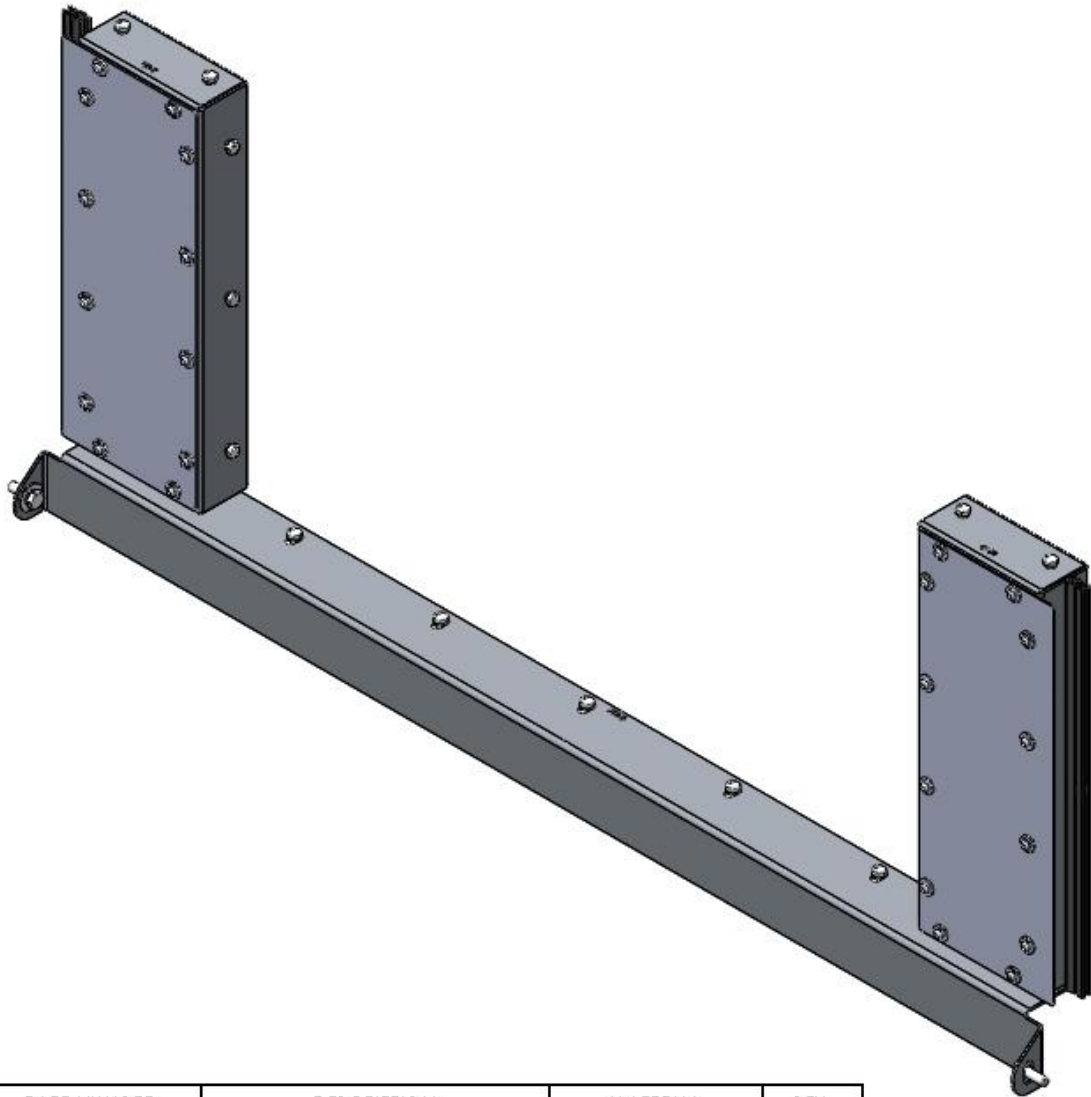
Any damages, direct or incidental to the installer and/or property due to incorrect installation of any parts are the responsibility of the installer. Due to the various applications and fitment options available, the responsibility lies with the user to ensure all mounting points are secure and tight before every trip. If unsure, consult with your Distributor regarding the operations of our products.

Users are advised to be mindful of the load they are carrying and drive in accordance with road conditions.

DISCLAIMER

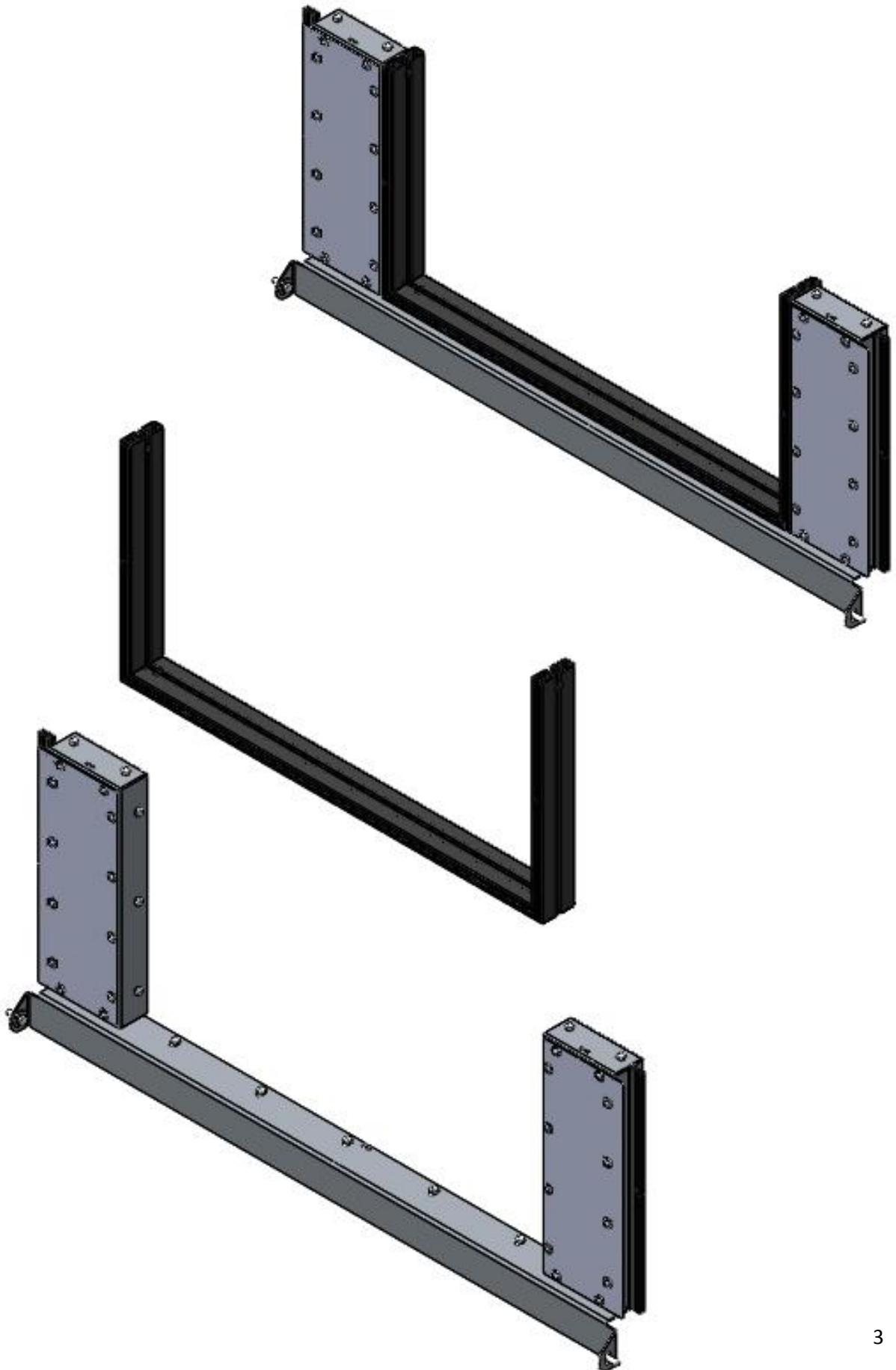
Alu-Cab

1.Rear filler panel assembly.

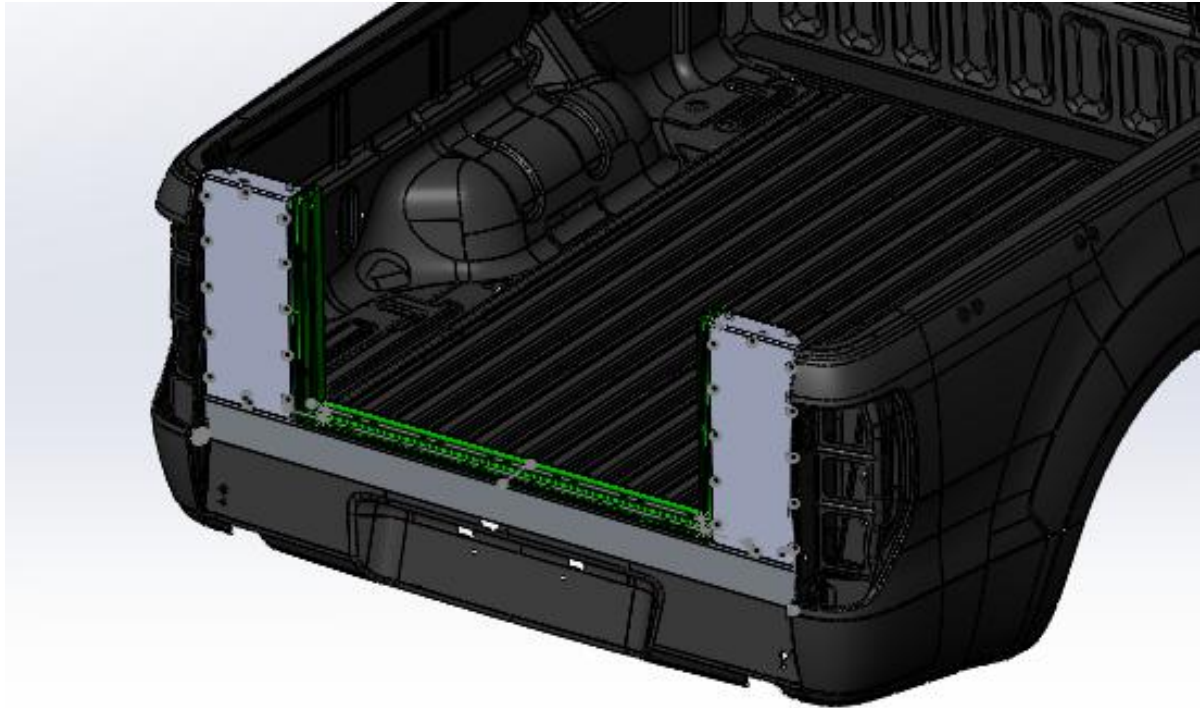


| ITEM NO. | PART NUMBER | DESCRIPTION | MATERIAL | QTY. |
|----------|-------------------------------------|------------------------------|--------------------------------|------|
| 1 | 162-REVO-BOT-SUPP-BRKT-01-02 | BOTTOM SUPPORT BRACKET | 1060 Alloy (3mm) | 1 |
| 2 | 162-REVO-INNER-BOX-LH-01-01 | INNER BOX LH | 1060 Alloy (2mm) | 1 |
| 3 | 162-REVO-INNER-BOX-RH-01-00 | INNER BOX RH | 1060 Alloy (2mm) | 1 |
| 4 | 162-REVO COV PLT-LH-01-01 | COVER PLATE LH | 1060 Alloy Tread Plate (1.6mm) | 1 |
| 5 | 162-REVO COV PLT-RH-01-01 | COVER PLATE RH | 1060 Alloy Tread Plate (1.6mm) | 1 |
| 6 | EXZZ17C Pinch Weld Boot Rubber Seal | Pinch Weld Boot Rubber Seal | EPDM 60 Durometer | 2 |
| 7 | DIN 9021 M8x24 Flat Washer | M8x24 Flat Washer | ASI 316 | 15 |
| 8 | DIN 985 M8 Nyloc Nut | Nyloc Nut | ASI 316 | 15 |
| 9 | DIN 933 M8x20 Hex Head Bolt | Hex Head Bolt | ASI 316 | 15 |
| 10 | 483-080 | SPRING WASHER - M8 | ASI 304 | 15 |
| 11 | 483-060 | SPRING WASHER - M6 | ASI 316 | 26 |
| 12 | 483-100 | SPRING WASHER - M10 | Material <not specified> | 2 |
| 13 | M6 Cage Nut | M6 Cage Nut | Zinc Plated Steel | 26 |
| 14 | M6x16 Button Head Hex Socket Screw | Button Head Hex Socket Screw | ASI 316 | 26 |
| 15 | M6x18 Oversized Flat Washer | Oversized Flat Washer | ASI 316 | 26 |
| 16 | M8 Nut Cap | Plastic Nut Cap | PE Low/Medium Density | 15 |
| 17 | M 10x30 Flat Washer | Oversized Flat Washer | ASI 316 | 2 |
| 18 | DIN 933 M10x30 Hex Head Bolt | Hex Head Bolt | ASI 316 | 2 |

2. Fit lower door frame to filler panel assembly as shown.



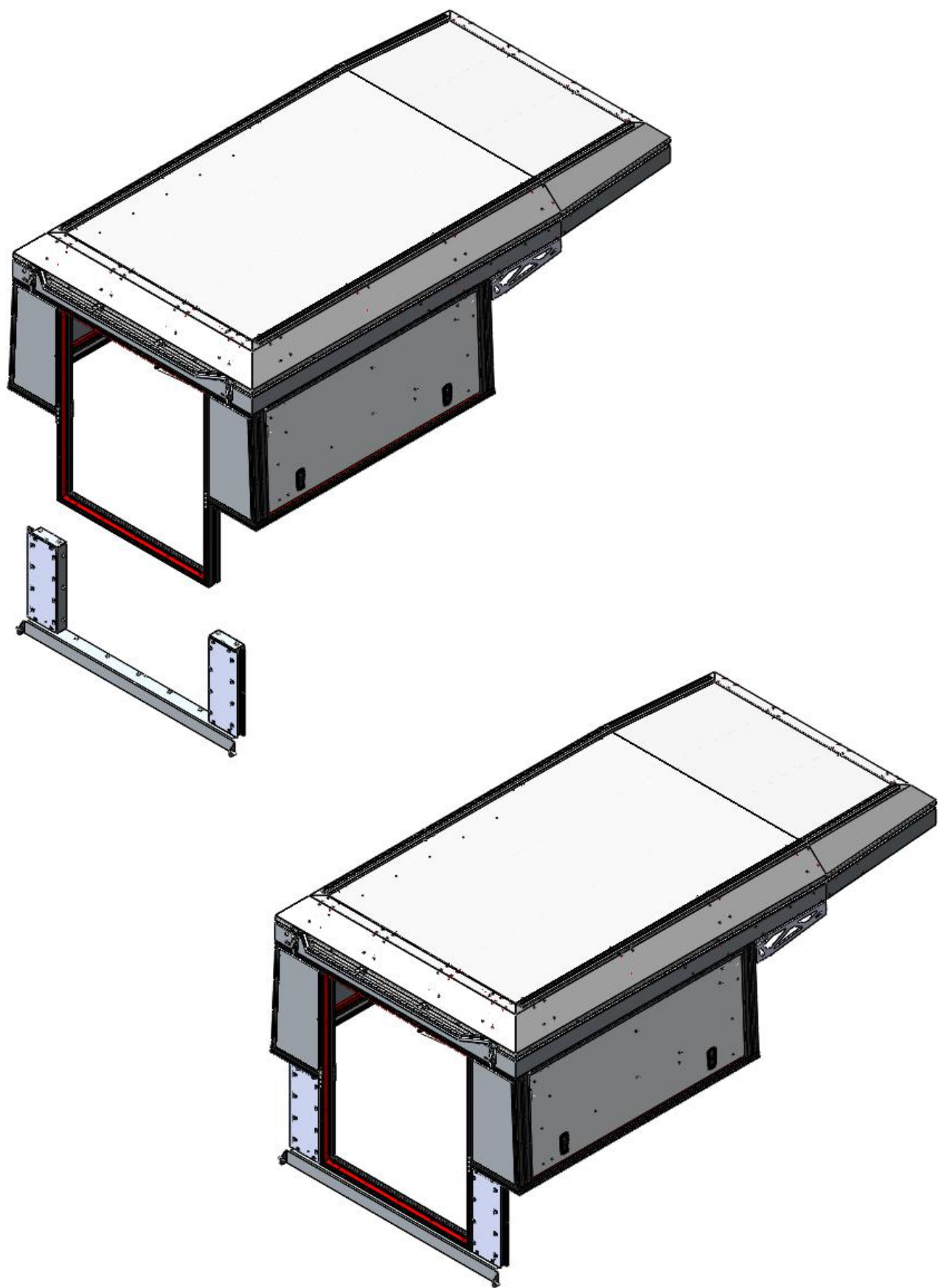
3. Mount filler panel assembly to load bin as shown.



WARNING

Always wear appropriate PPE (Personal protection equipment) when fitting this product. Although the mounting kit is designed to be DIY, if you have any doubts or concerns, contact an accredited fitment centre to carry out the work. Alu-Cab will not be liable for any injury to persons, and/or damage to products and/or vehicles.

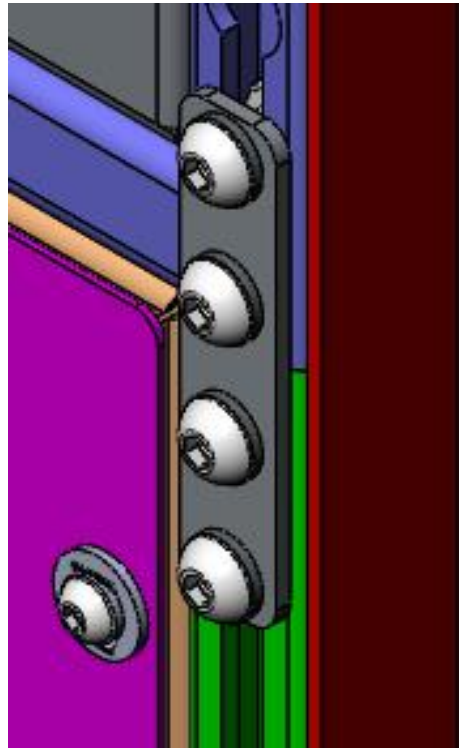
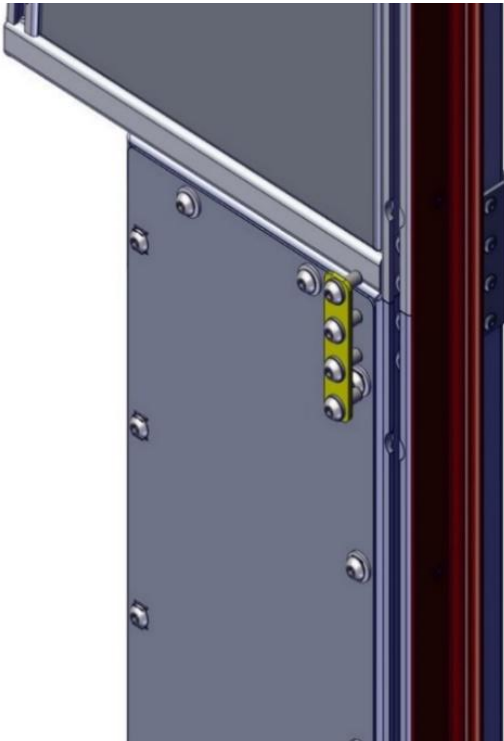
3. Then mount canopy camper base unit on top of load bin.



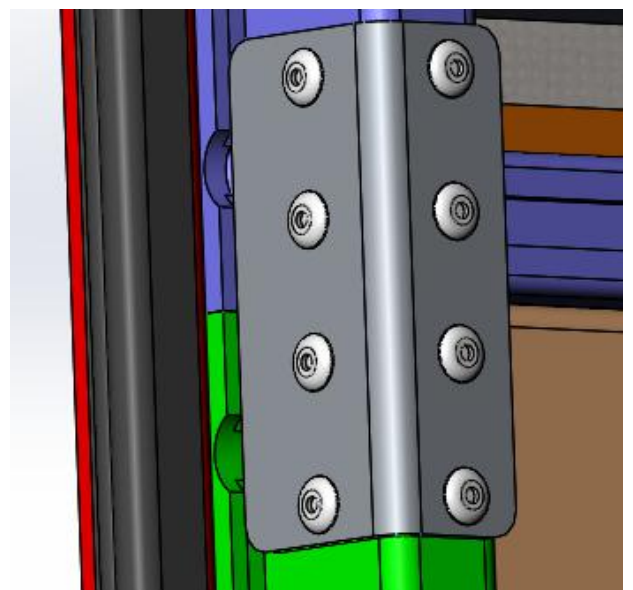
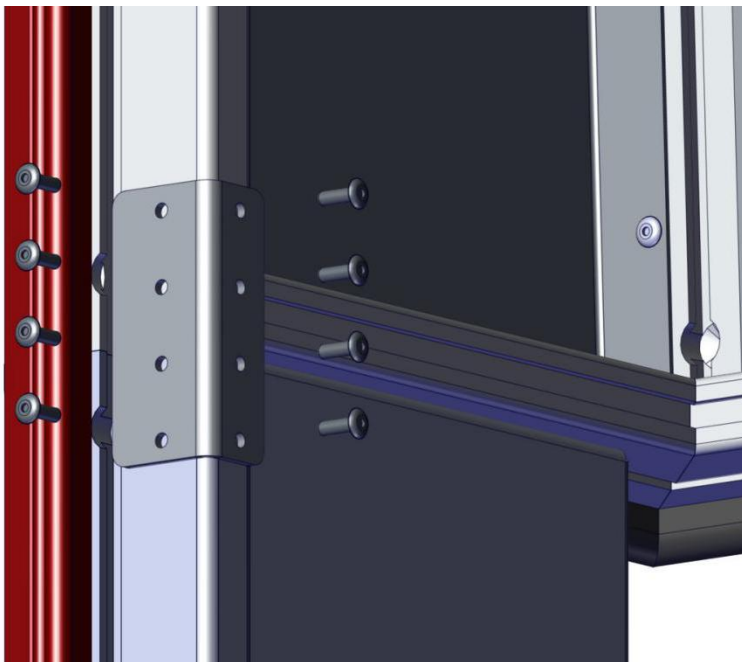


4. Connect rear filler panel assembly and base unit as shown.

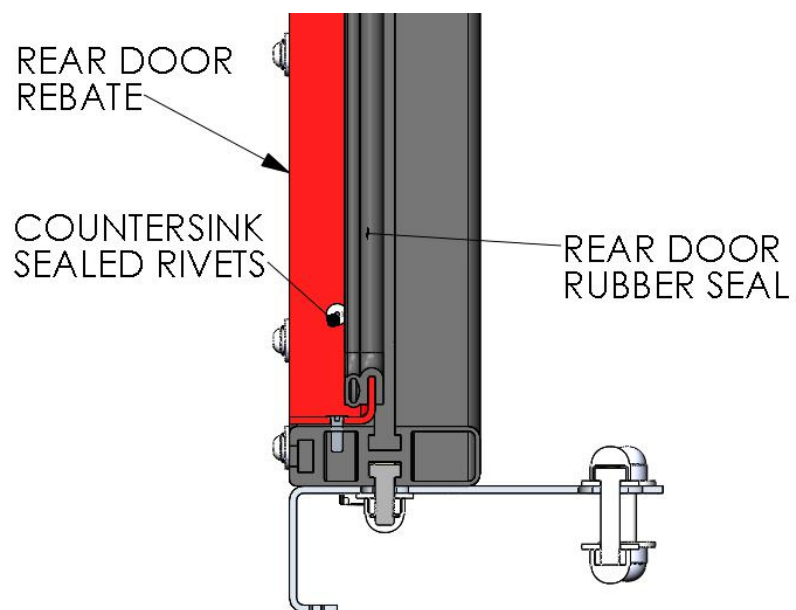
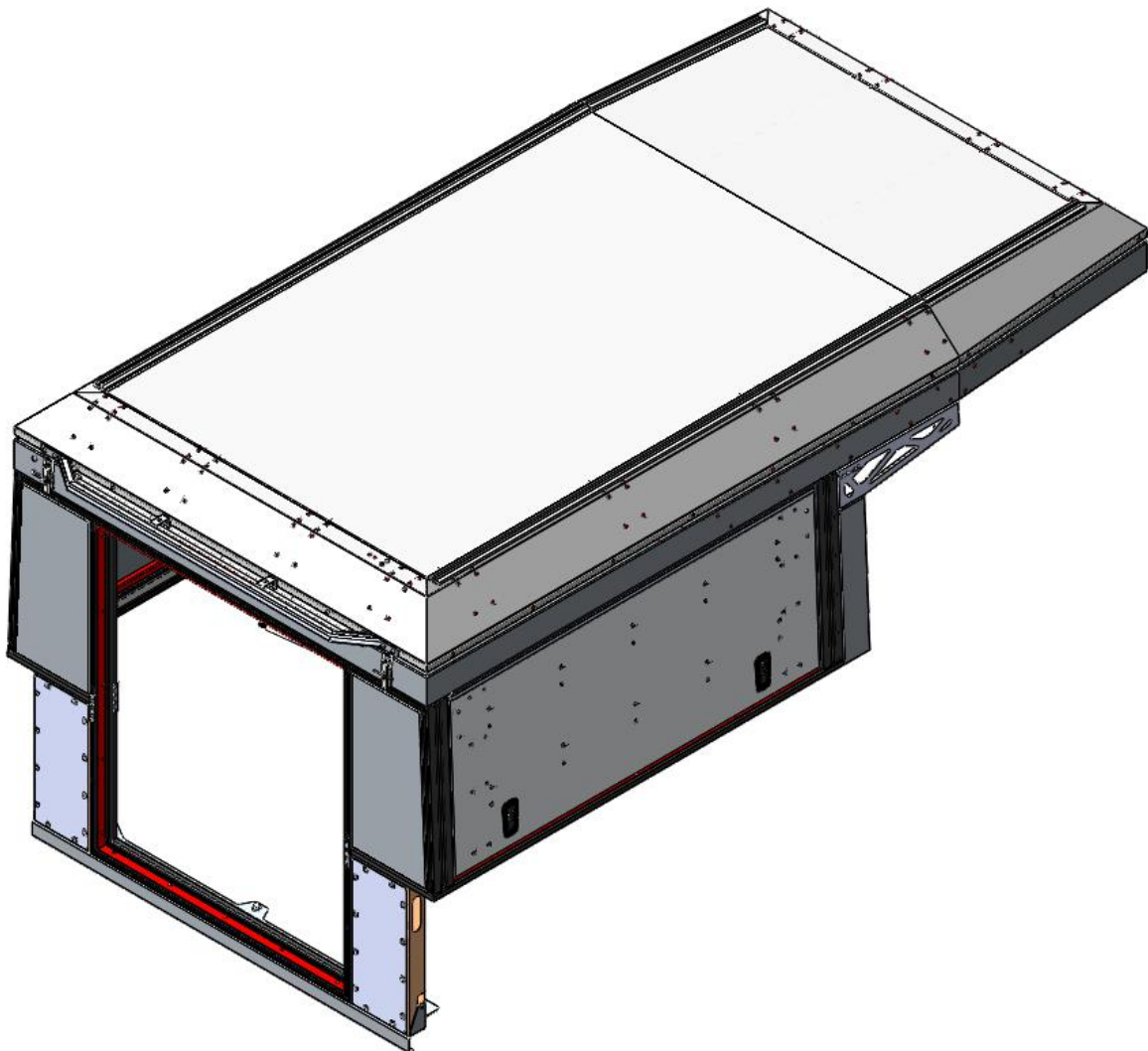
OUTER MOUNTING ON BOTH JOINTS



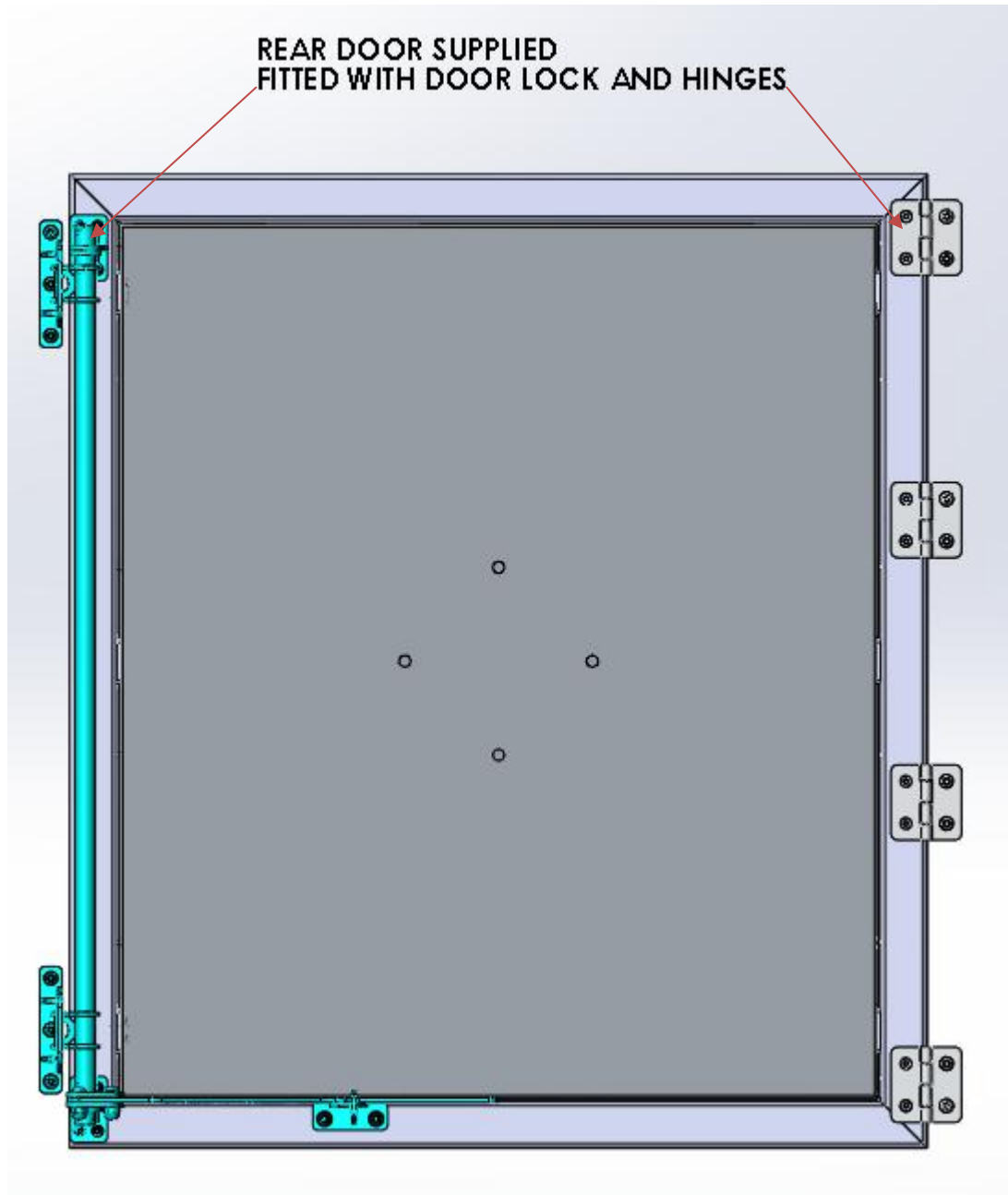
INNER MOUNTING ON BOTH JOINTS



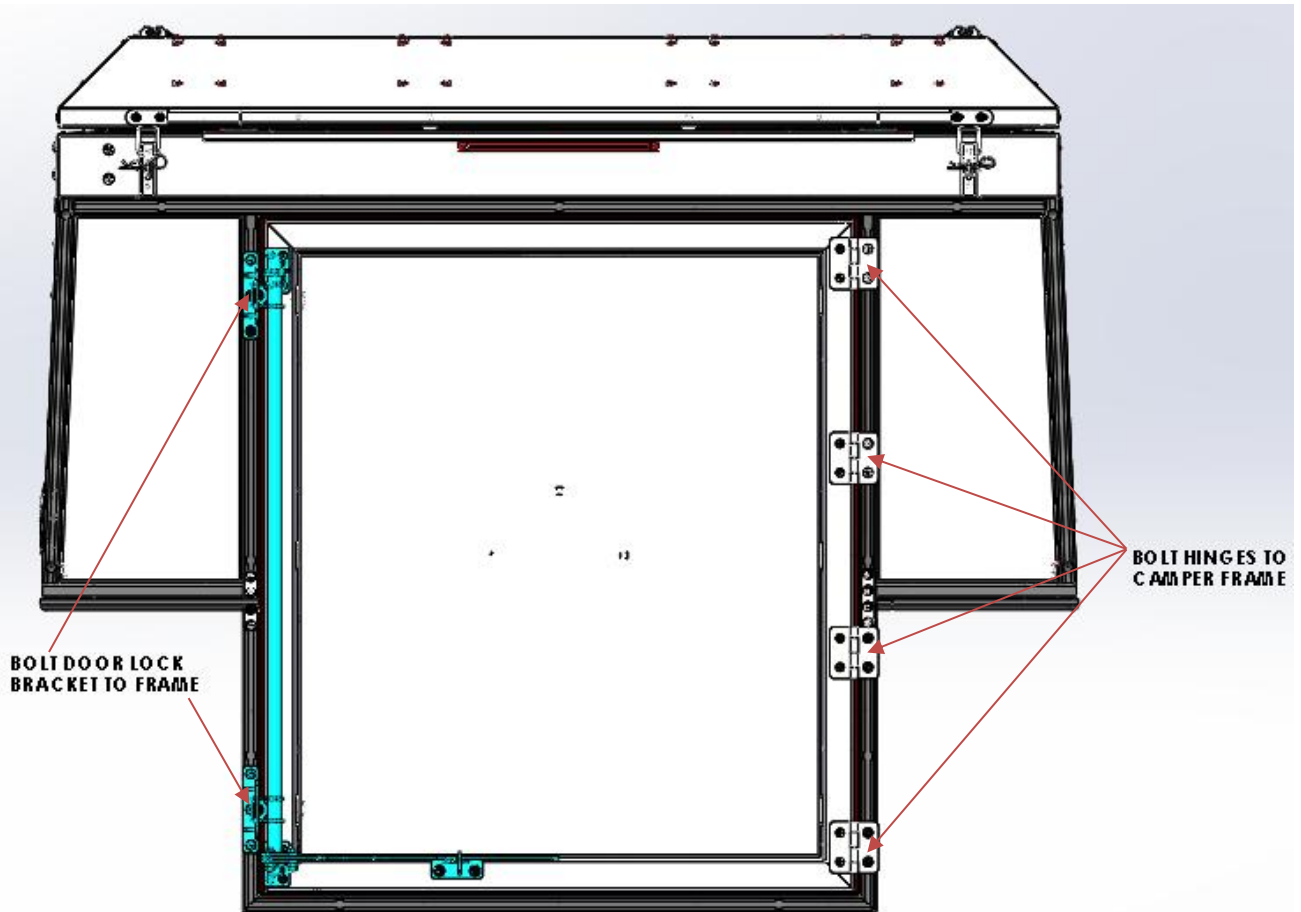
6. Fit rear door rebate with $\text{Ø}4.8 \times 15$ sealed countersink rivets as shown.



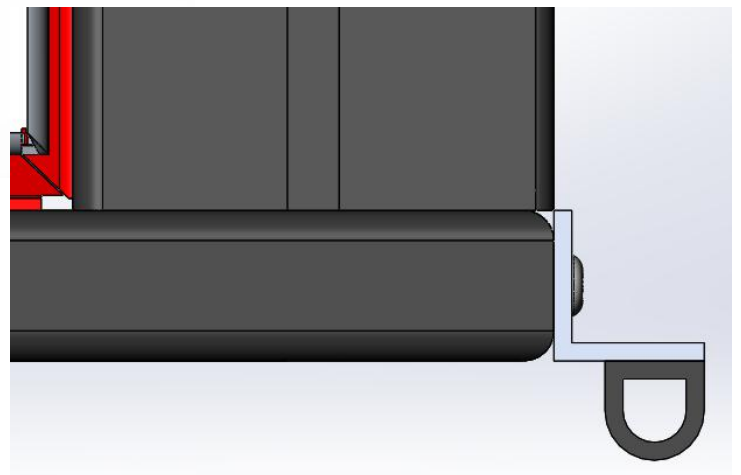
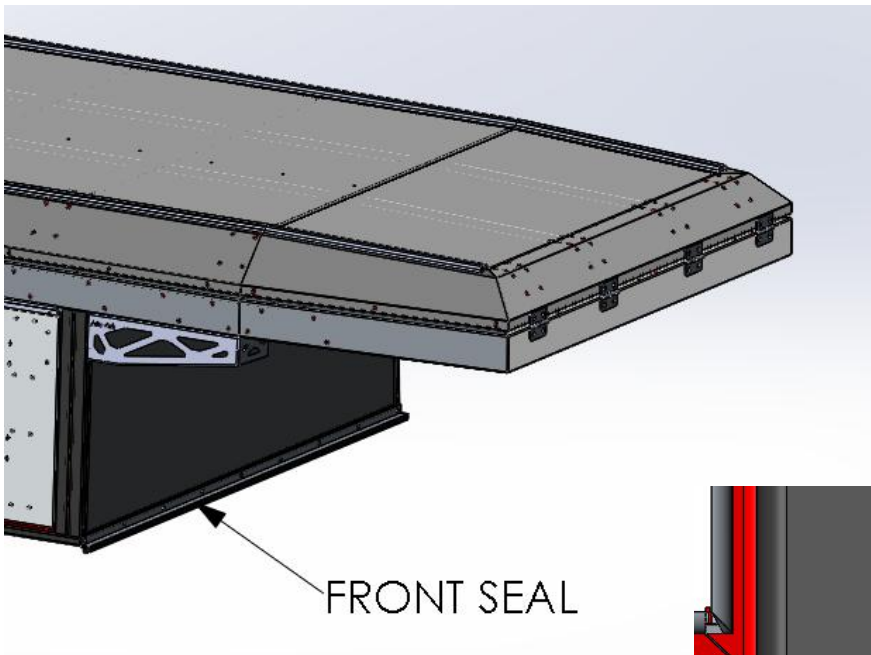
- Fit rear door by mounting 4 x Butt hinges to camper frame as shown. Centre rear door, top to bottom and the hinge centres left to right. Also mount the door lock to the camper frame.



8. Attach hinges and lock to camper frame.

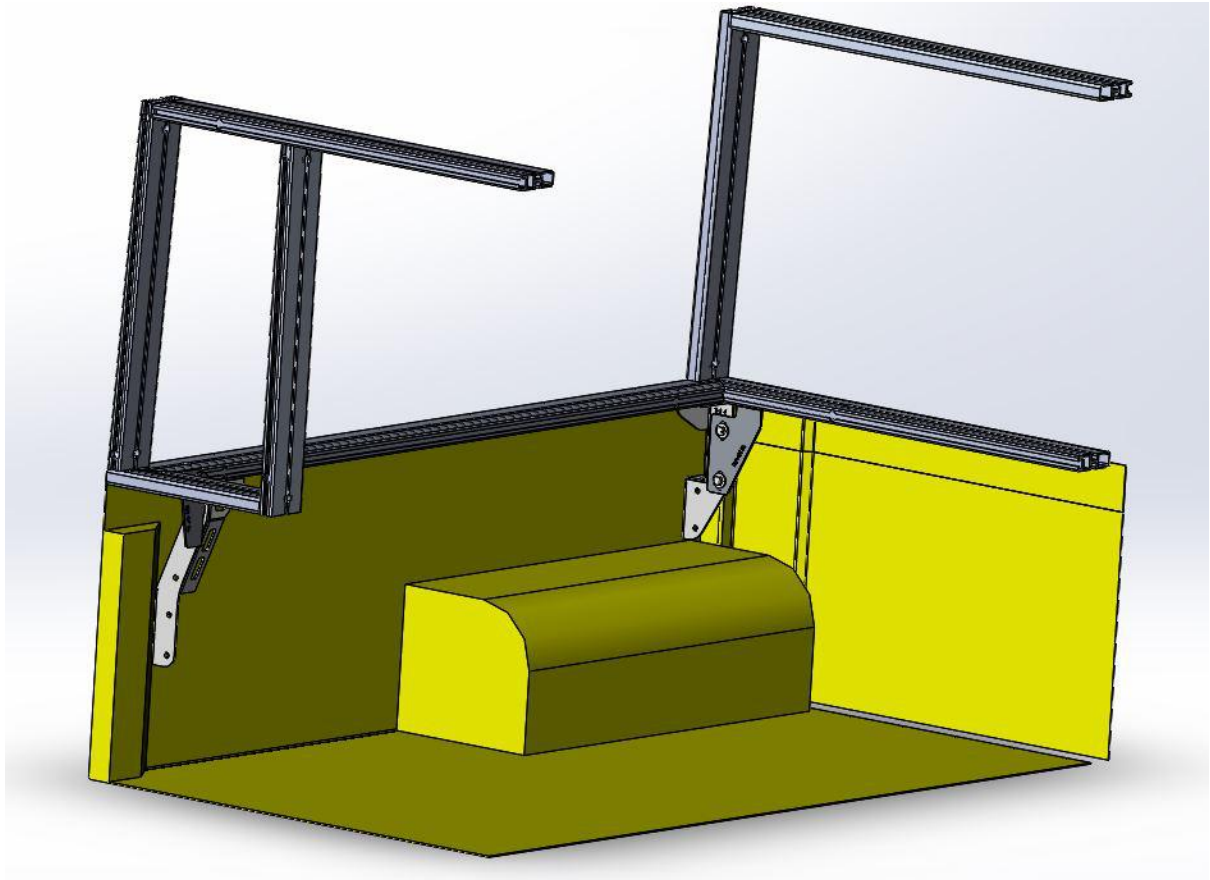


6. Fitting of front seal to canopy camper frame. *(only DC)*



Bottom mount

Toyota Hilux Revo Canopy Camper Mounting Brackets



Fitment Instructions

1. Toyota Hilux Revo Canopy Camper Mounting Brackets - Tools, Fasteners & Materials

The tables below show the equipment, i.e. tools, fasteners, hardware and consumables required to complete the fitment of the Toyota Hilux Revo Canopy Camper.

Hardware supplied with the Toyota Hilux Revo Canopy Camper Mounting Brackets:

| PART NUMBER | DESCRIPTION | MATERIAL | QTY. |
|--------------------------------|----------------------------|--------------------------|------|
| REVO-RER-RISER-PLT-LH-01-00 | REAR RISER PLATE LH | Mild Steel (3mm) | 2 |
| REVO-RER-GUSS-LH-01-00 | GUSSET PLATE | Mild Steel (3mm) | 2 |
| M8x25 Hex Head Bolt | Hex Head Bolt | Material <not specified> | 8 |
| 483-080 | SPRING WASHER - M8 | AISI 304 | 8 |
| DIN 125A M8 Flat Washer | Flat Washer | AISI 316 | 8 |
| M8 Nut Cap | NUT CAP | PE Low/Medium Density | 8 |
| REVO-RER-RISER-PLT-RH-01-00 | REAR RH RISER | Mild Steel (3mm) | 2 |
| REVO-RER-GUSS-RH-01-00 | GUSSET PLATE | Mild Steel (3mm) | 2 |
| 162-REVO-FNT-LH-MNT-BRKT-01-00 | FRONT LH MOUNT BRACKET | AISI 304 (3mm) | 1 |
| 162-REVO-FNT-RH-MNT-BRKT-01-00 | FRONT MOUNT BRACKET RH | AISI 304 (3mm) | 1 |
| DIN 933 M8x20 Hex Head Bolt | Hex Head Bolt | AISI 316 | 12 |
| DIN 9021 M8x24 Flat Washer | Oversized Flat Washer | AISI 316 | 14 |
| ISO 7040 M8 Nyloc Nut | Nyloc Nut | AISI 316 | 12 |
| M8 Nut Cap | NUT CAP | PE Low/Medium Density | 12 |
| 162-REVO-RER-LH-MNT-BRKT-01-00 | REVO REAR LH MOUNT BRACKET | AISI 304 (3mm) | 1 |
| 162-REVO-RER-RH-MNT-BRKT-01-00 | REAR RH MOUNT BRACKET | AISI 304 (3mm) | 1 |
| DIN 125A M8 Flat Washer | Flat Washer | AISI 316 | 4 |

1.1 Tools required to fit the Toyota Hilux Revo Canopy Camper Mounting Brackets:

| Tool | Purpose |
|----------------------|--------------------------|
| 13mm Spanner/Ratchet | Fastening Nuts and Bolts |

2. Fitting the Canopy Camper Mounting Brackets

Step 1: Place and Align the Canopy Camper on the Load Bin

The first step is to place and align the Canopy Camper on the Vehicle load bin.

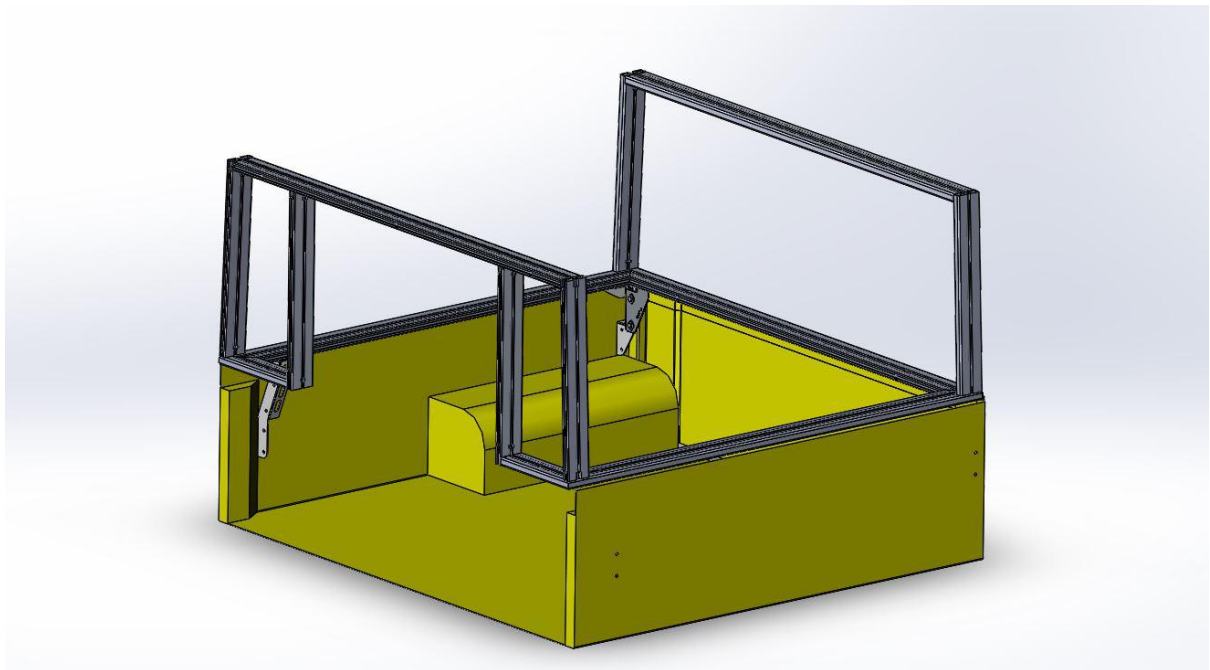


Figure 1: Canopy Camper Aligned with Load Bin

Step 2: Installing the Mounting Brackets

Next we need to mount the Revo Rear LH Assembly to the existing holes in the Load bin, as shown in the images below.

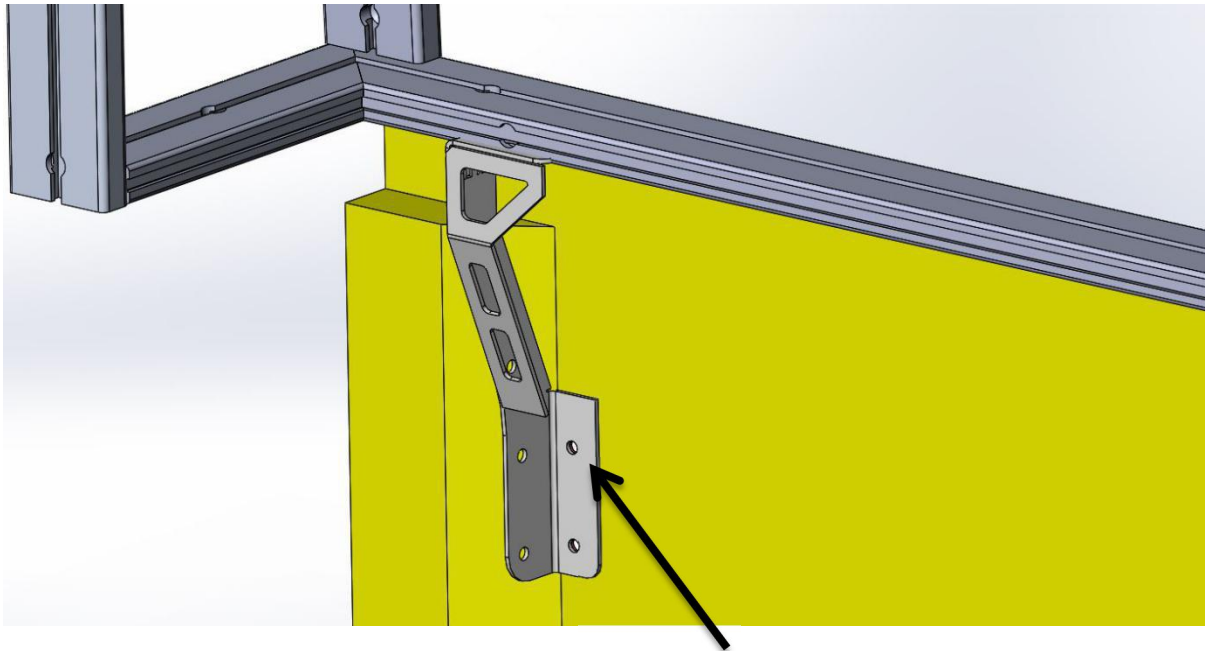


Figure 2: Bracket Position with existing holes

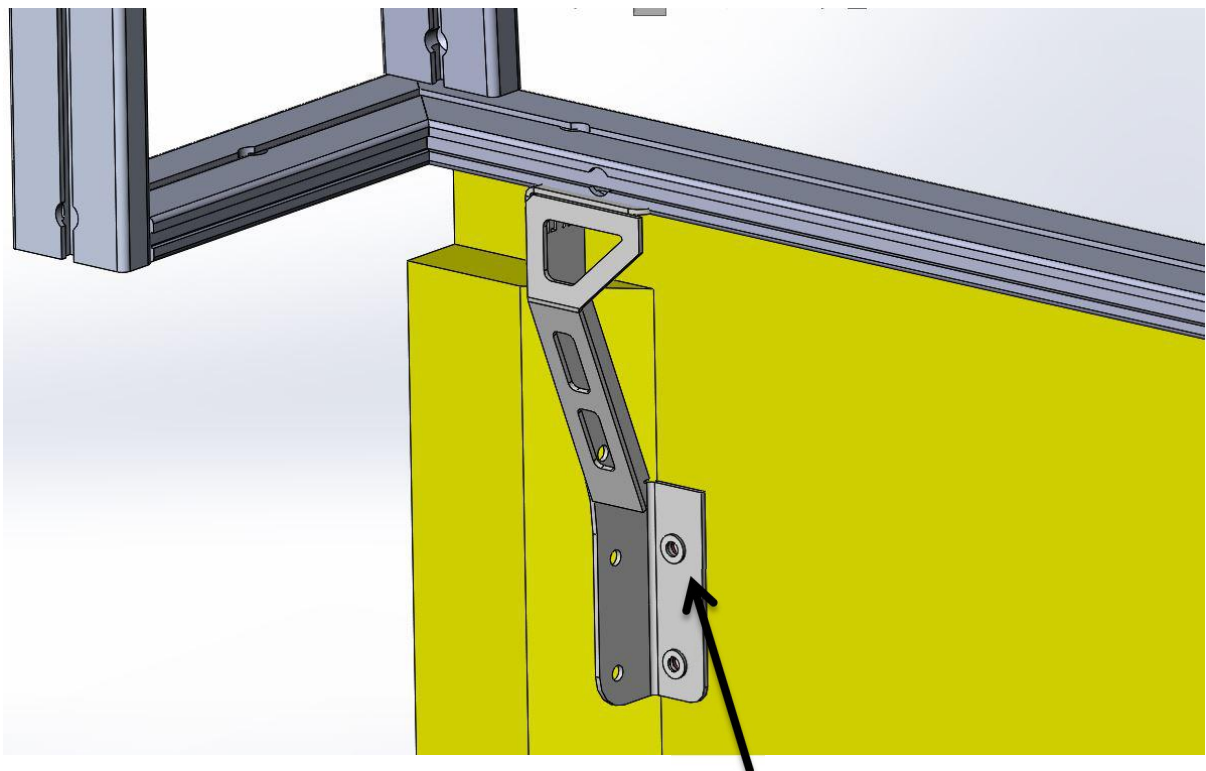


Figure 3: Flat Washers placed over the holes

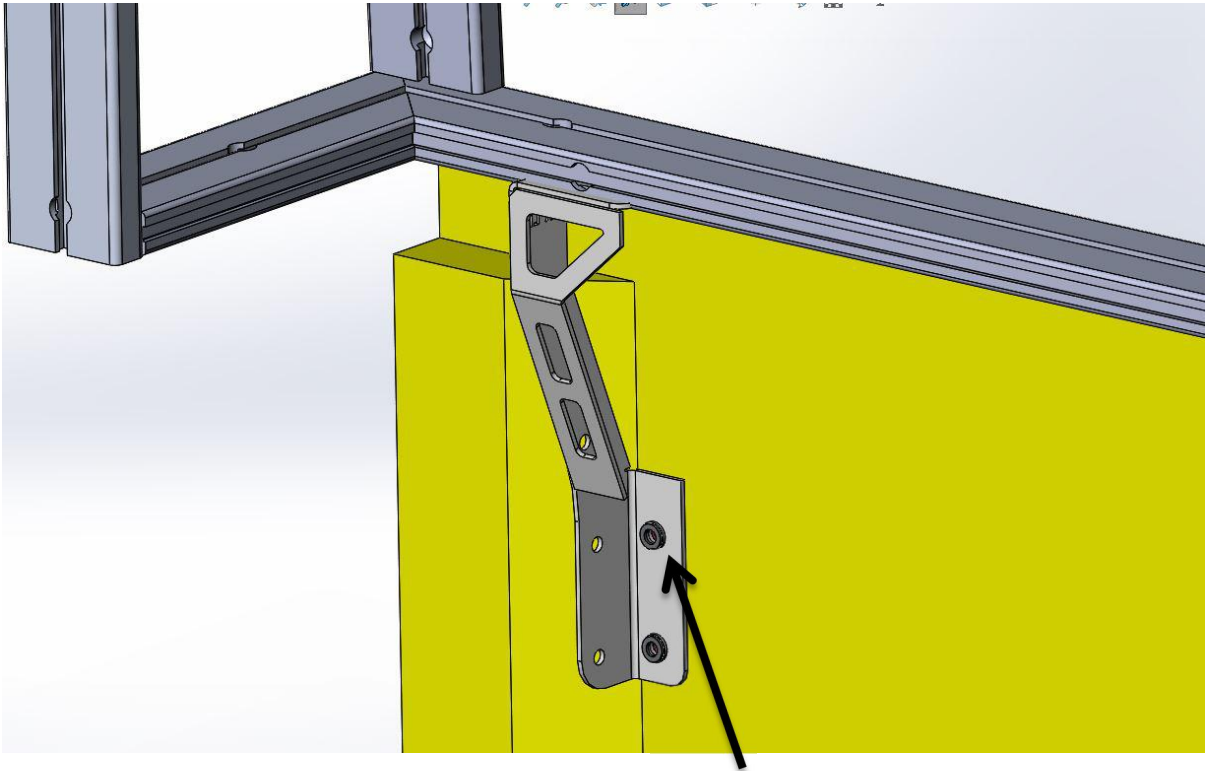


Figure 4: Spring Washers on top of the Flat Washer

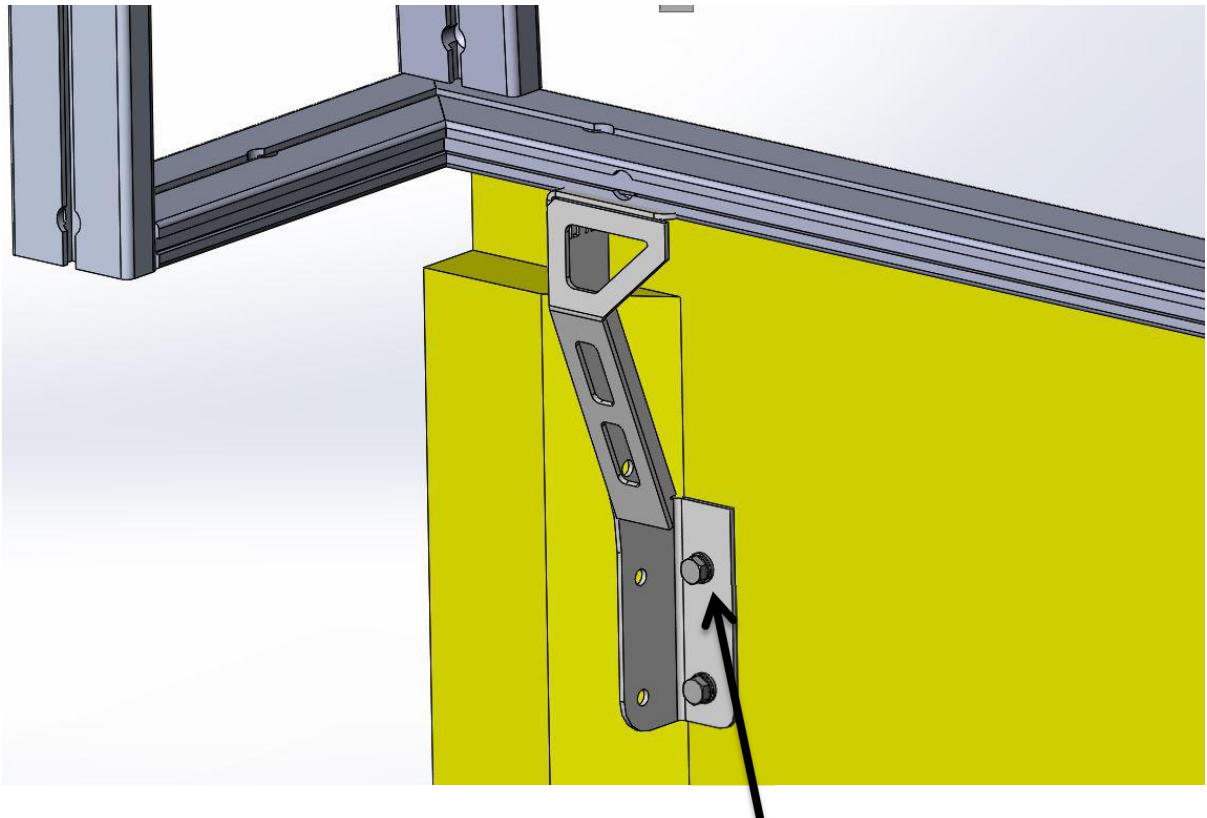


Figure 5: Hex Bolt Inserted

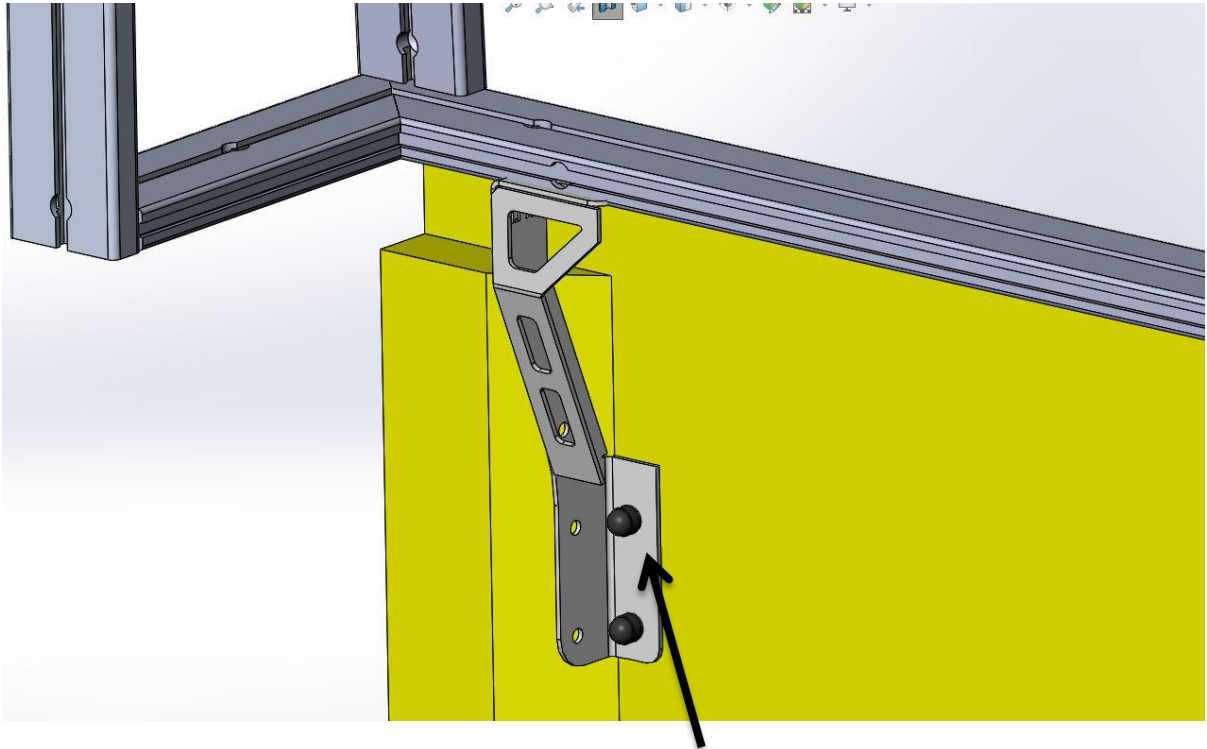


Figure 6: Nut Caps Installed

Step 3: Install Rear Mounting Bracket

For this step we need to install the Rear Mounting Bracket to the Canopy Camper Nut Slot and Load Bin. See below images:

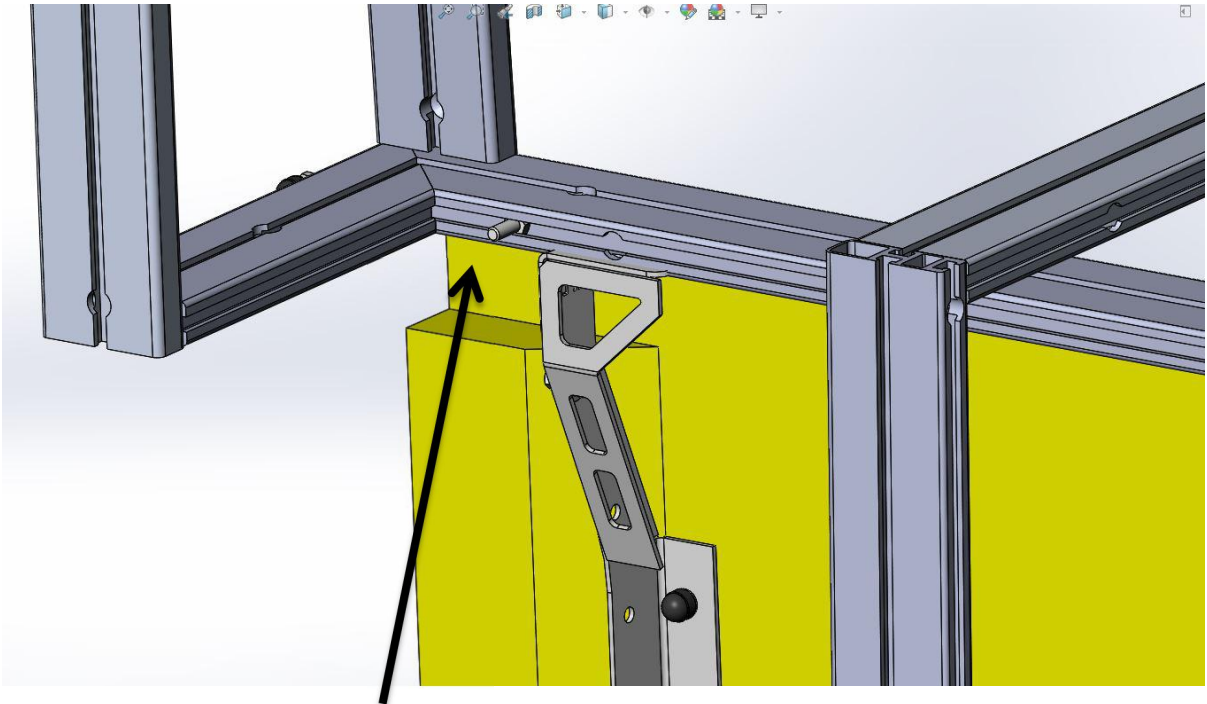


Figure 7: Insert 2 Hex Bolts into Canopy Camper Nut Slot

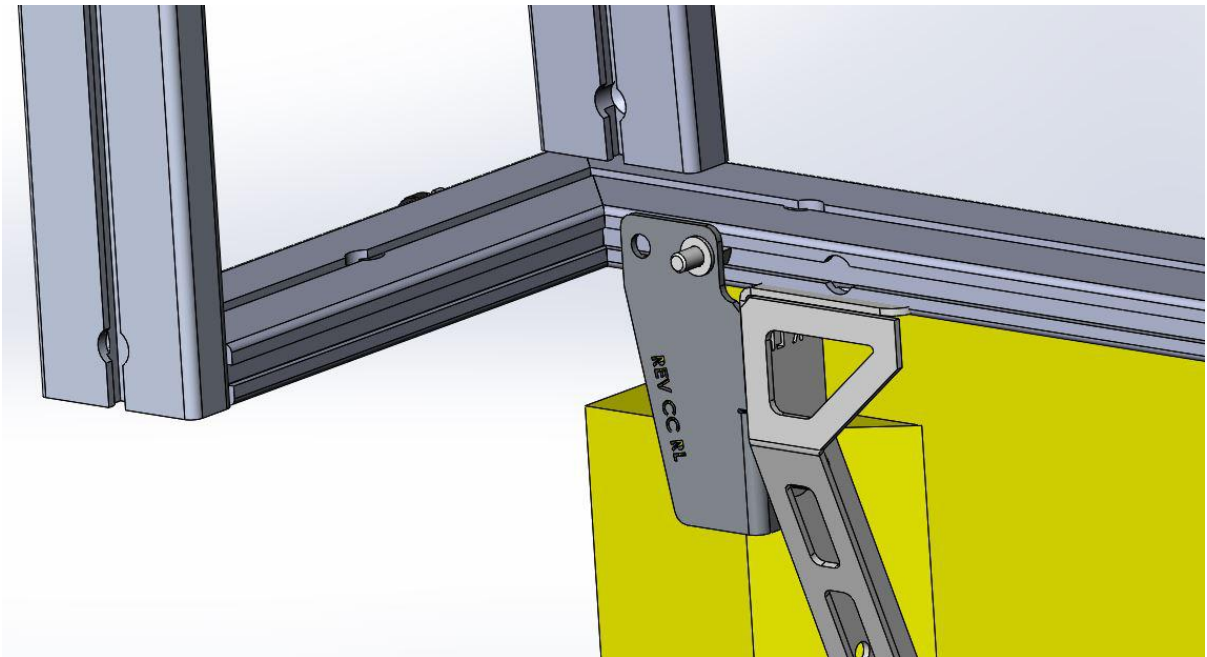


Figure 8: Position the Rear Mounting Bracket over the inserted Hex Bolt

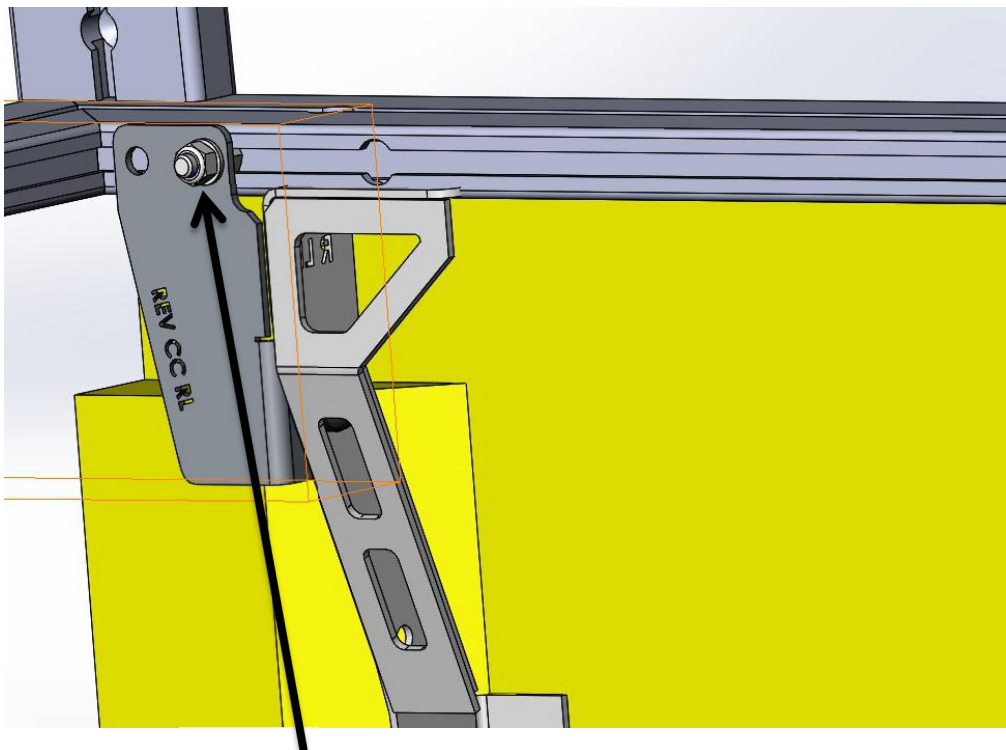


Figure 9: Fasten with a Washer and Nyloc Nut

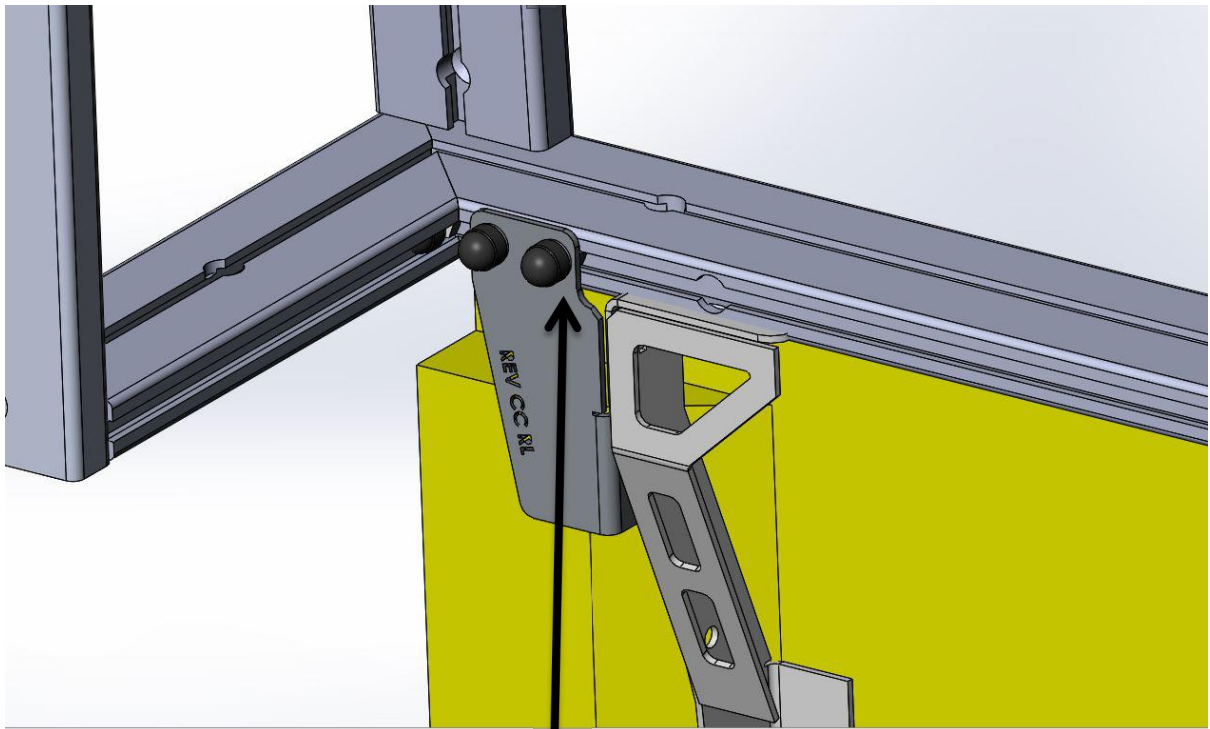


Figure 10: Mounted to extrusion

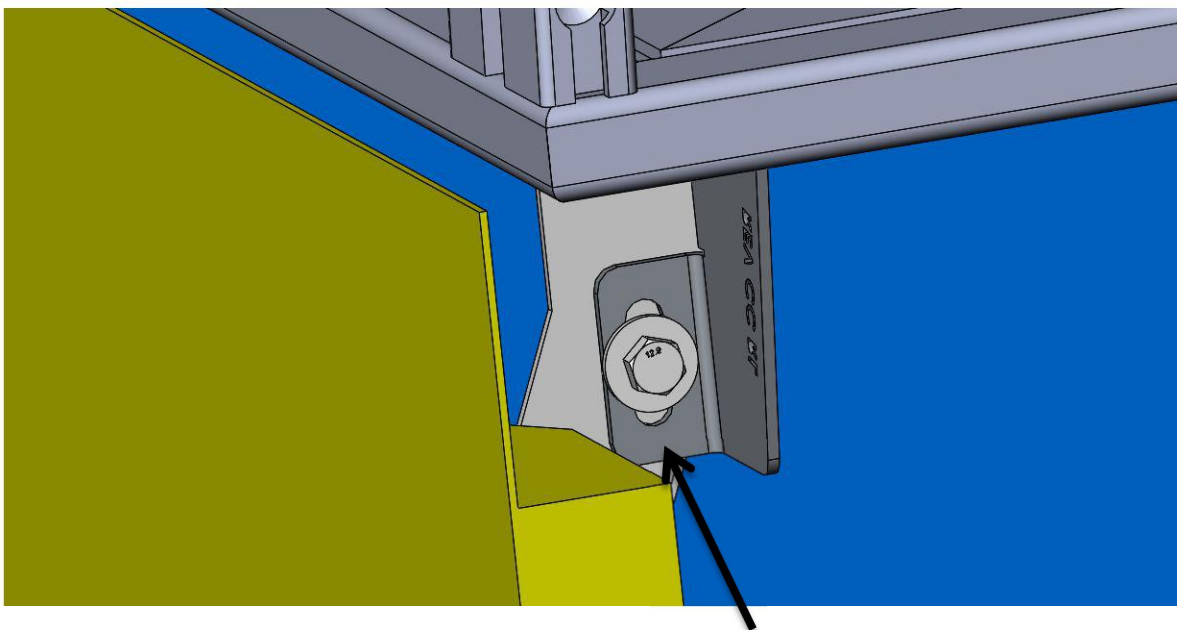


Figure 11: Hex Bolt and washer through both Brackets

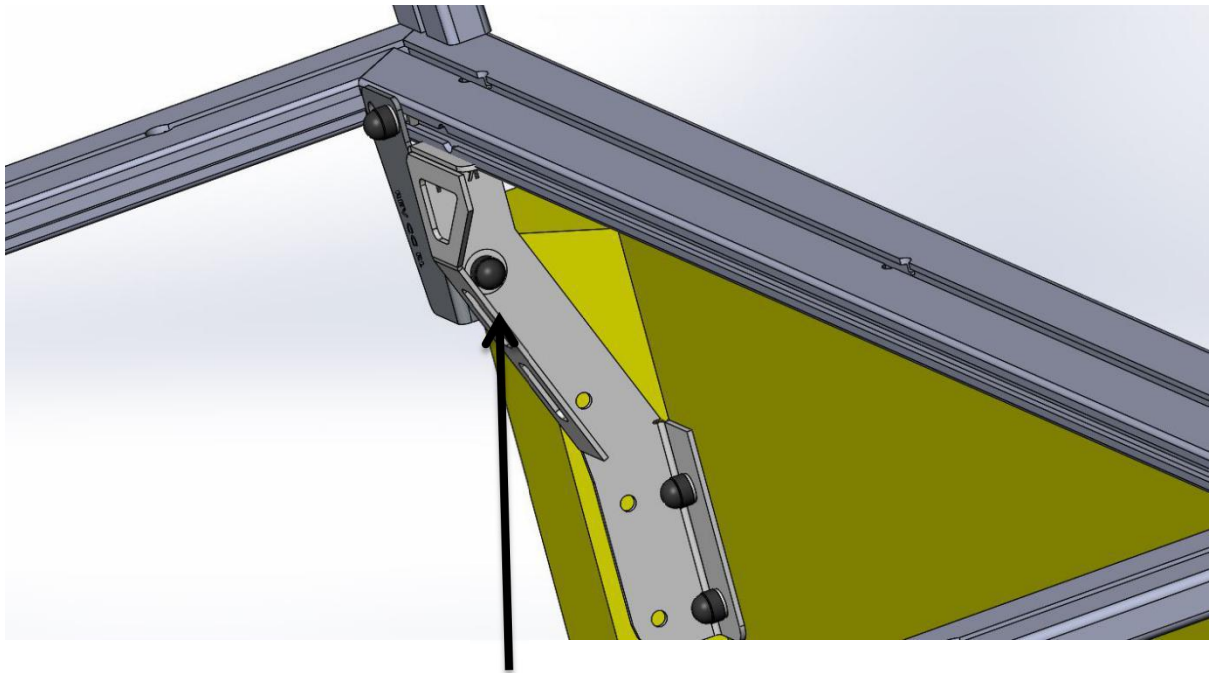


Figure 12: Fully Fastened Front Bracket

Step 4: Install Front Mounting Bracket

We can now move onto the Front Mounting Brackets for this next step. These again like the rear ones will mount into existing holes found in the Vehicle Load Bin. See below images:

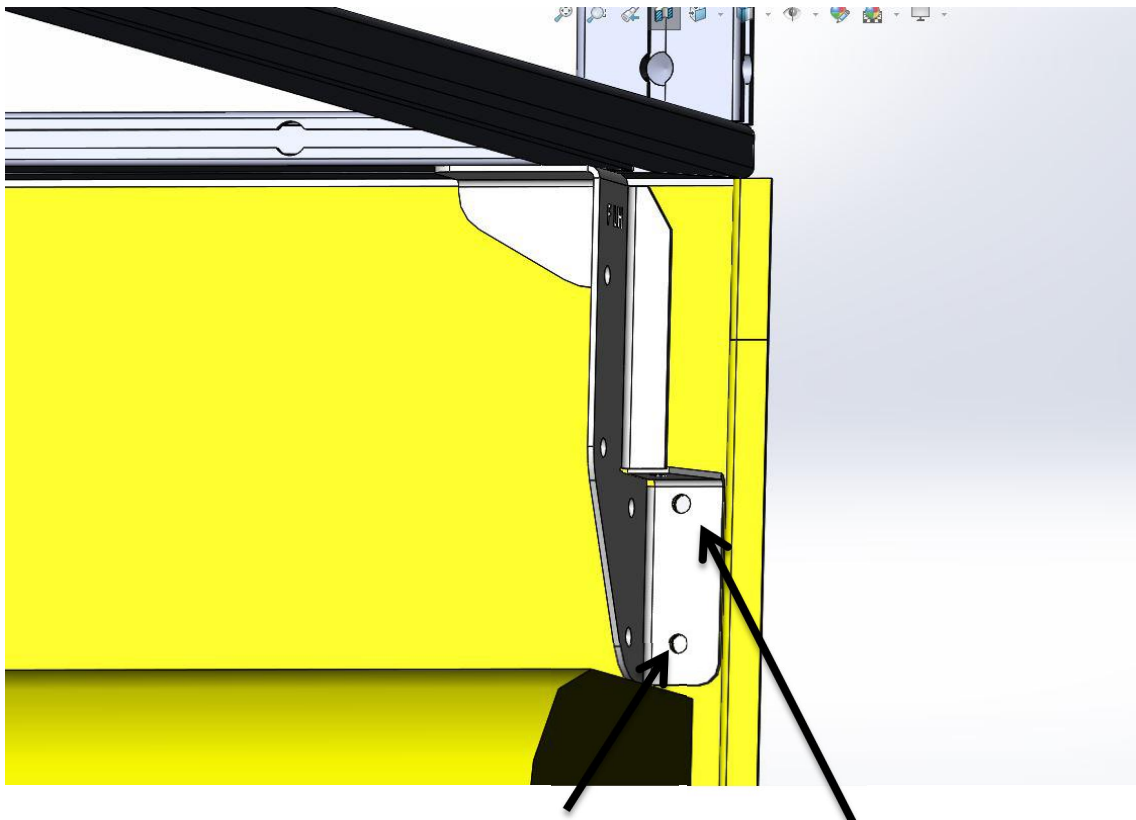


Figure 13: Positioning Bracket with Load Bin Holes

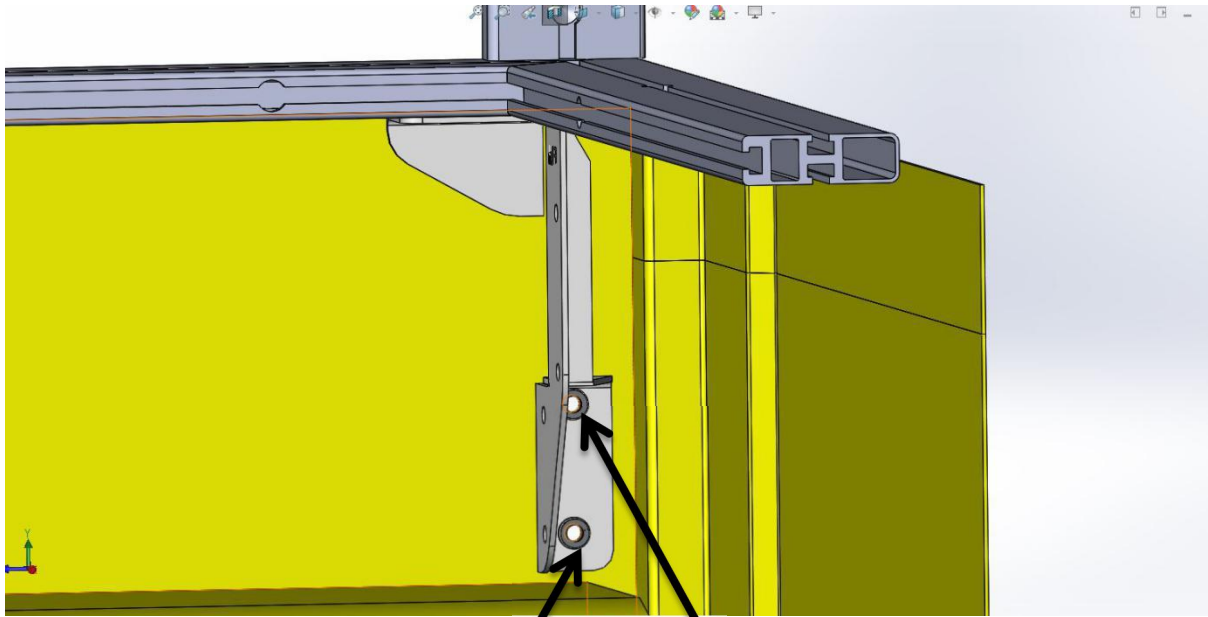


Figure 14: Use a Flat and Spring Washer

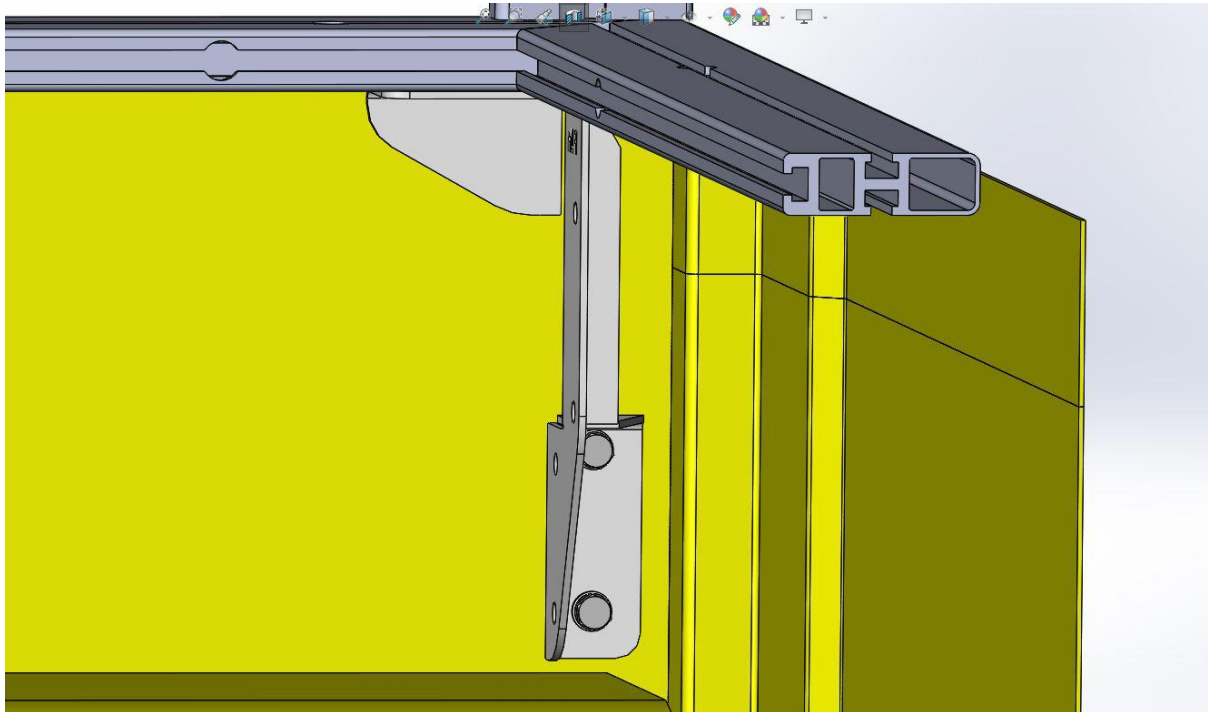


Figure 15: Insert Hex Bolts

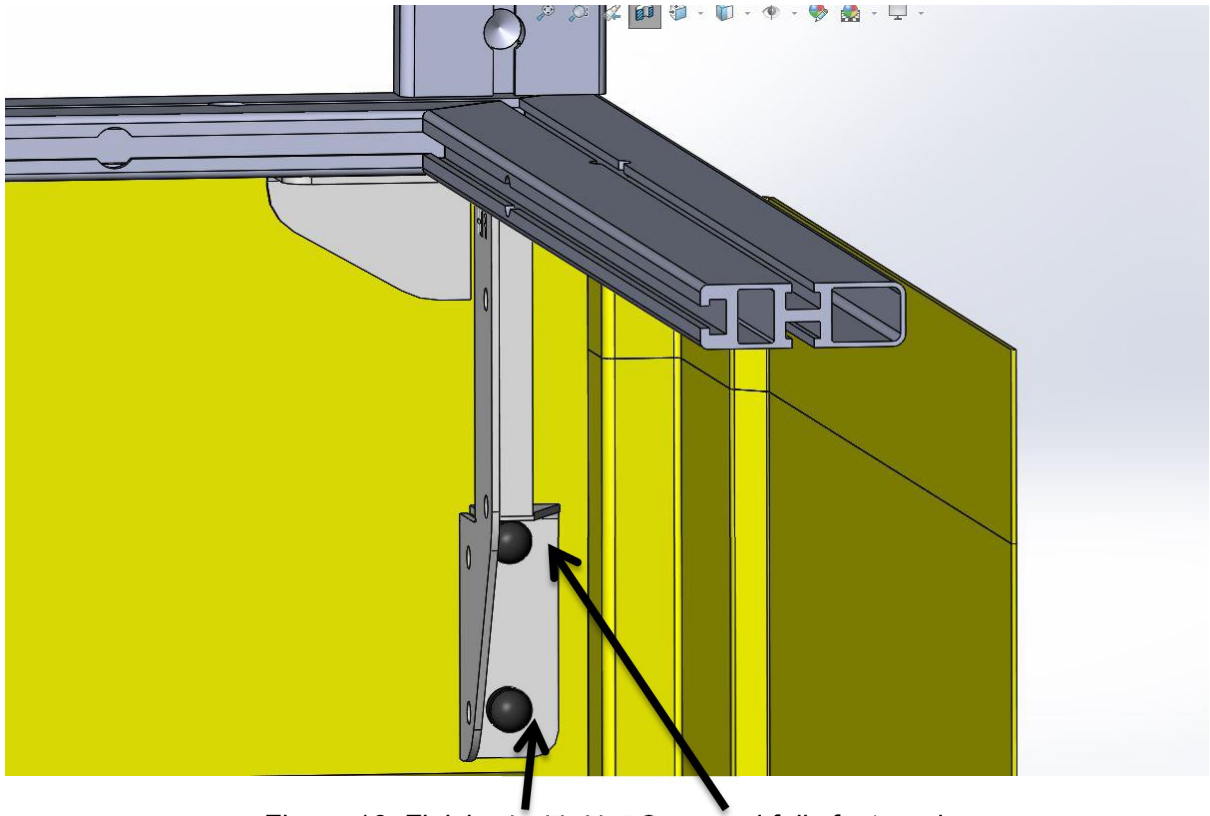


Figure 16: Finished with Nut Caps and fully fastened

Step 5: Install Front Canopy Camper Mounting Bracket

We now need to install the Front Canopy Camper Mounting Bracket to the previously Mounted Canopy Bracket. First we need to insert a Hex Bolt into the Nut Slot Indicated Below. Then on the next image, insert a Hex Bolt and flat washer as shown:

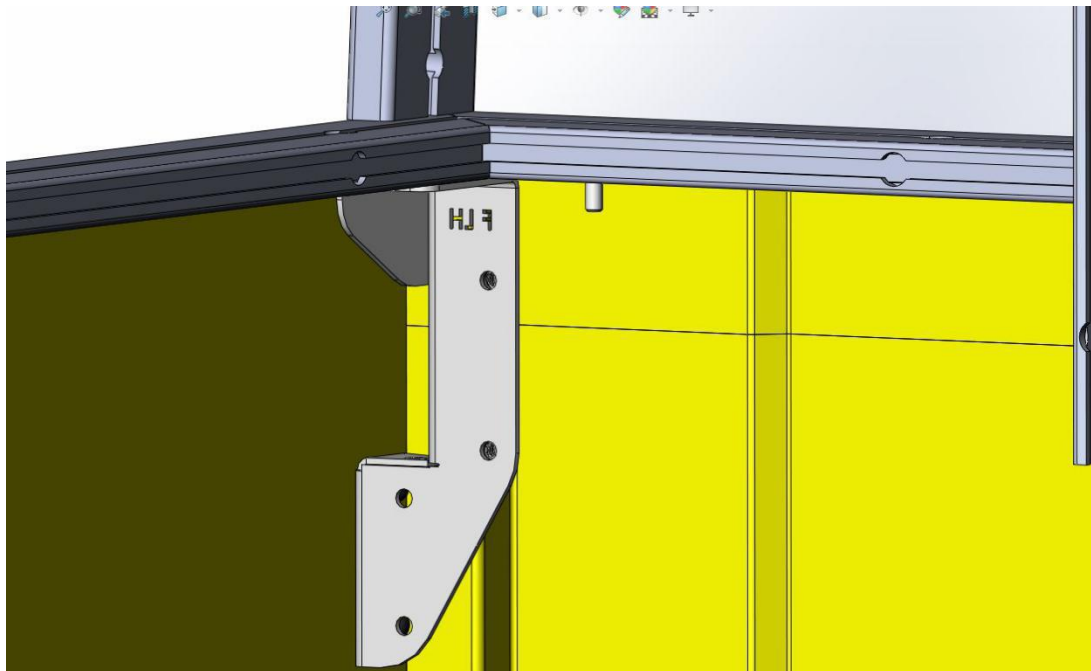


Figure 17: Hex Nut in Nut Slot

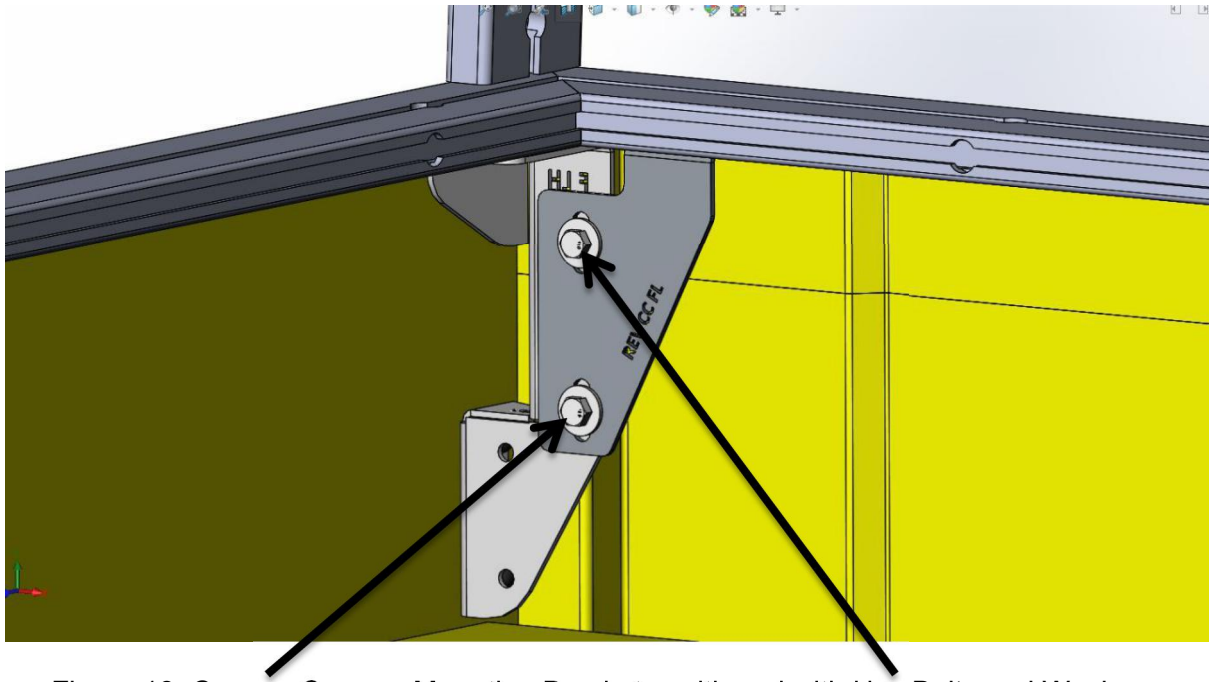


Figure 18: Canopy Camper Mounting Bracket positioned with Hex Bolts and Washers

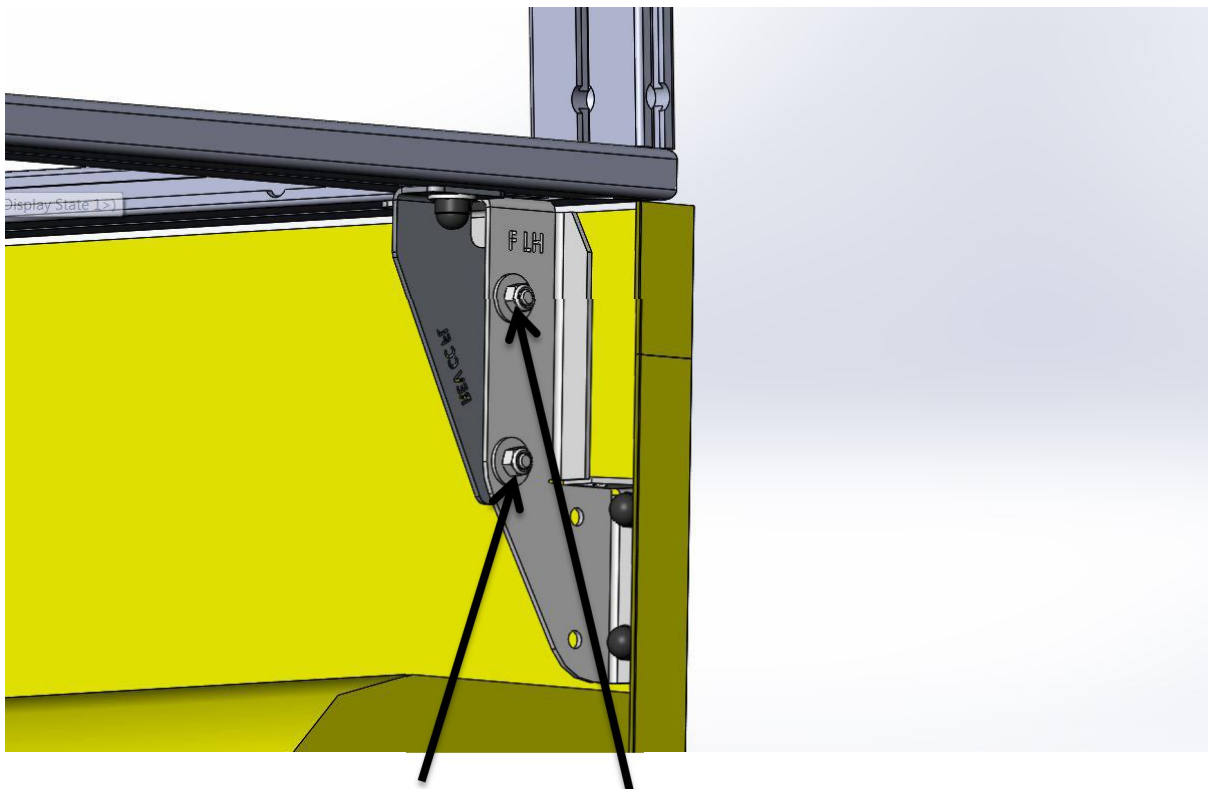


Figure 19: Secured with Nyloc Nuts and Flat Washers

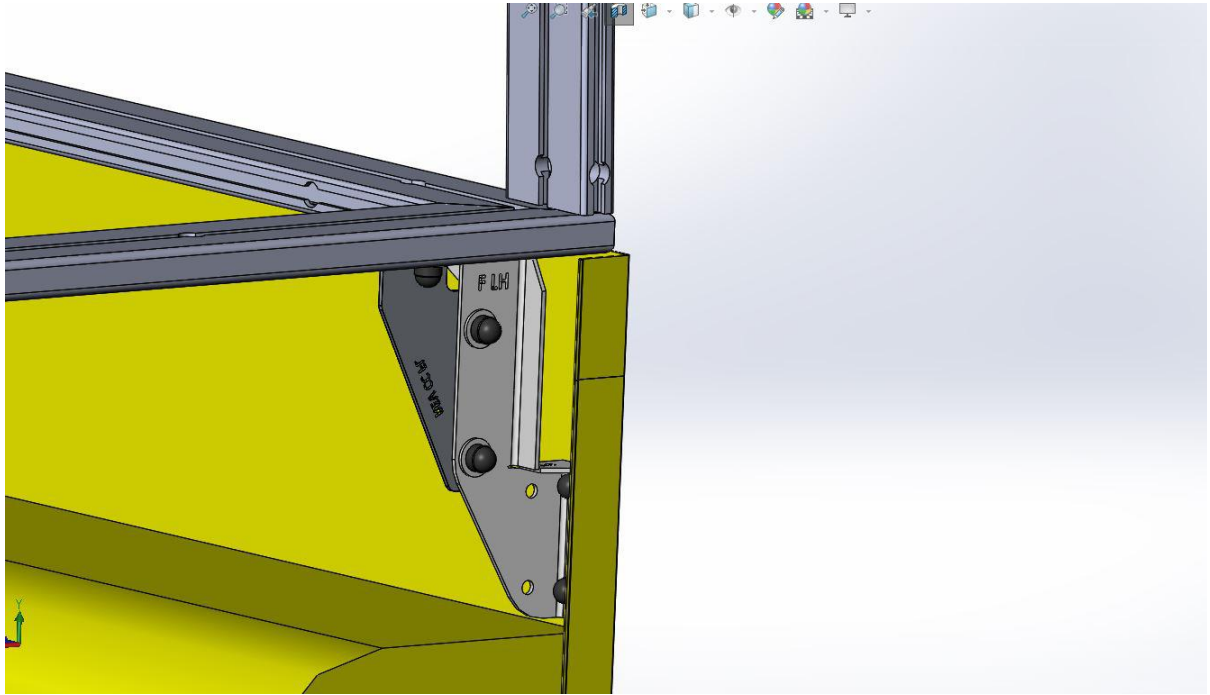


Figure 20: Secured and Finished with Nut Caps

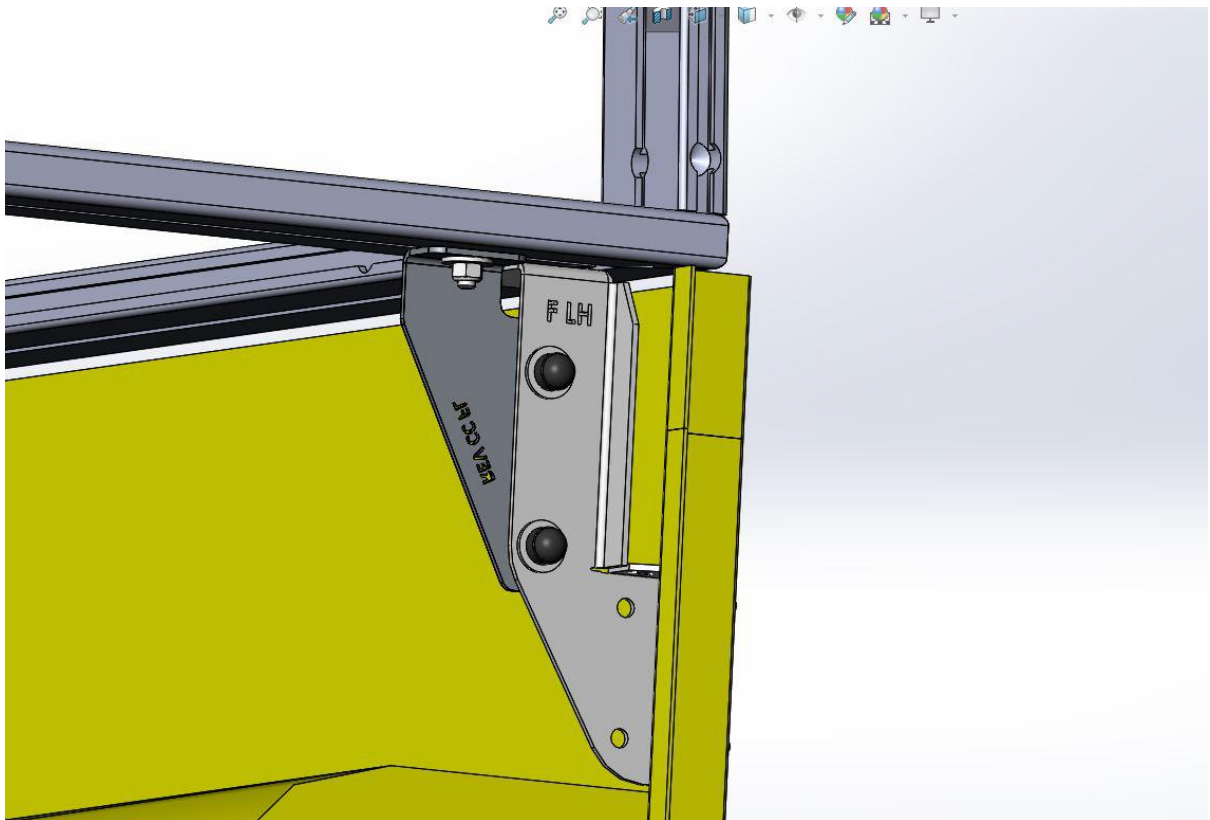


Figure 21: Flat Washer and Nyloc Nut added

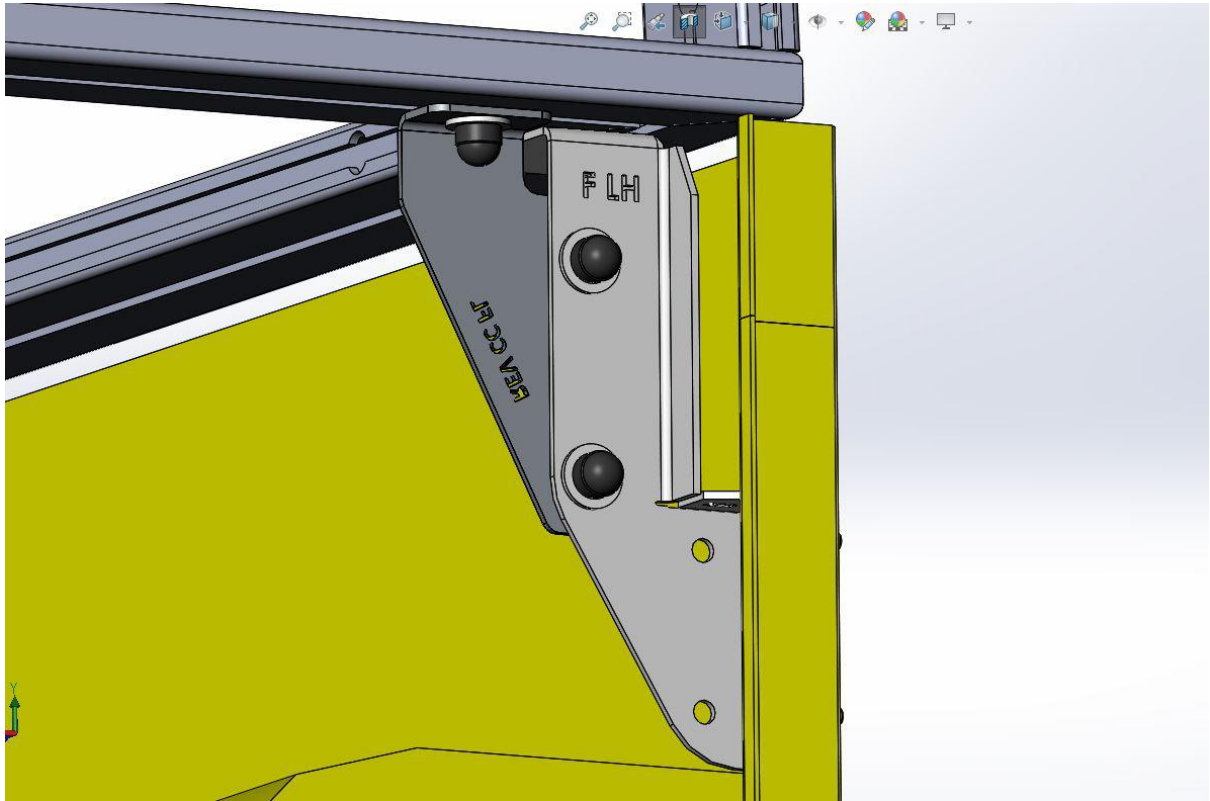
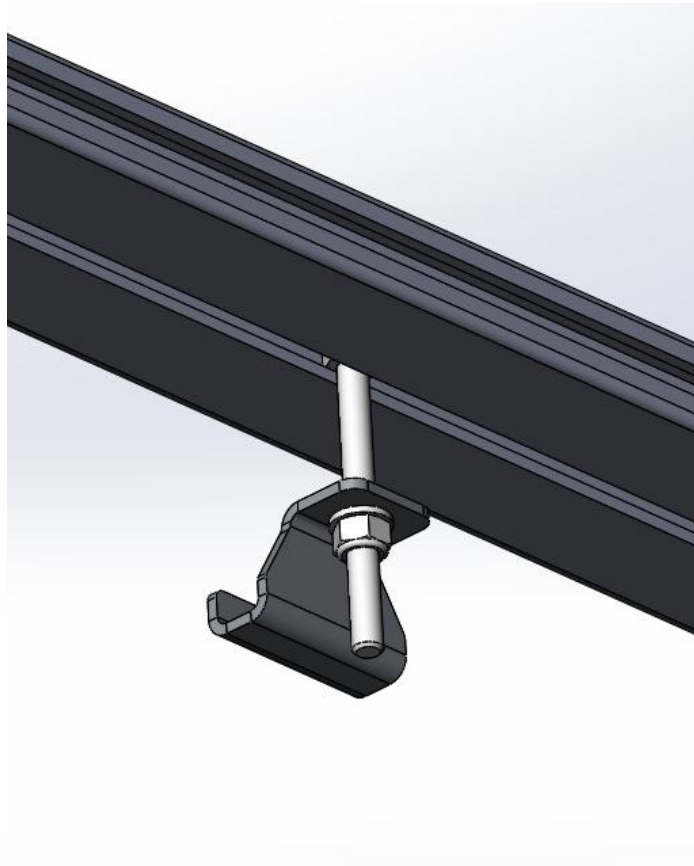
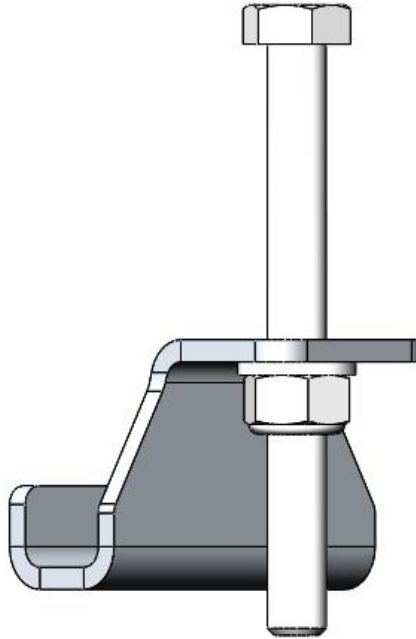


Figure 22: Complete and Fastened, Finished with a Nut Cap

CENTRE MOUNTING BRACKET.



2 OFF REQUIRED



| ITEM NO. | PART NUMBER | DESCRIPTION | MATERIAL | QTY. |
|----------|-------------------------|----------------------|----------------|------|
| 1 | CMB-000-002 | BOTTOM CLAMP BRACKET | AISI 304 (3mm) | 1 |
| 2 | DIN 125A M8 Flat Washer | Flat Washer | AISI 316 | 1 |
| 3 | ISO 7040 M8 Nyloc Nut | Nyloc Nut | AISI 316 | 1 |
| 4 | M8x80 Hex Head Bolt | Hex Head Bolt | AISI 316 | 1 |

Step 6: Repeat

We can now repeat these steps for the other side of the Canopy Camper and Load Bin.