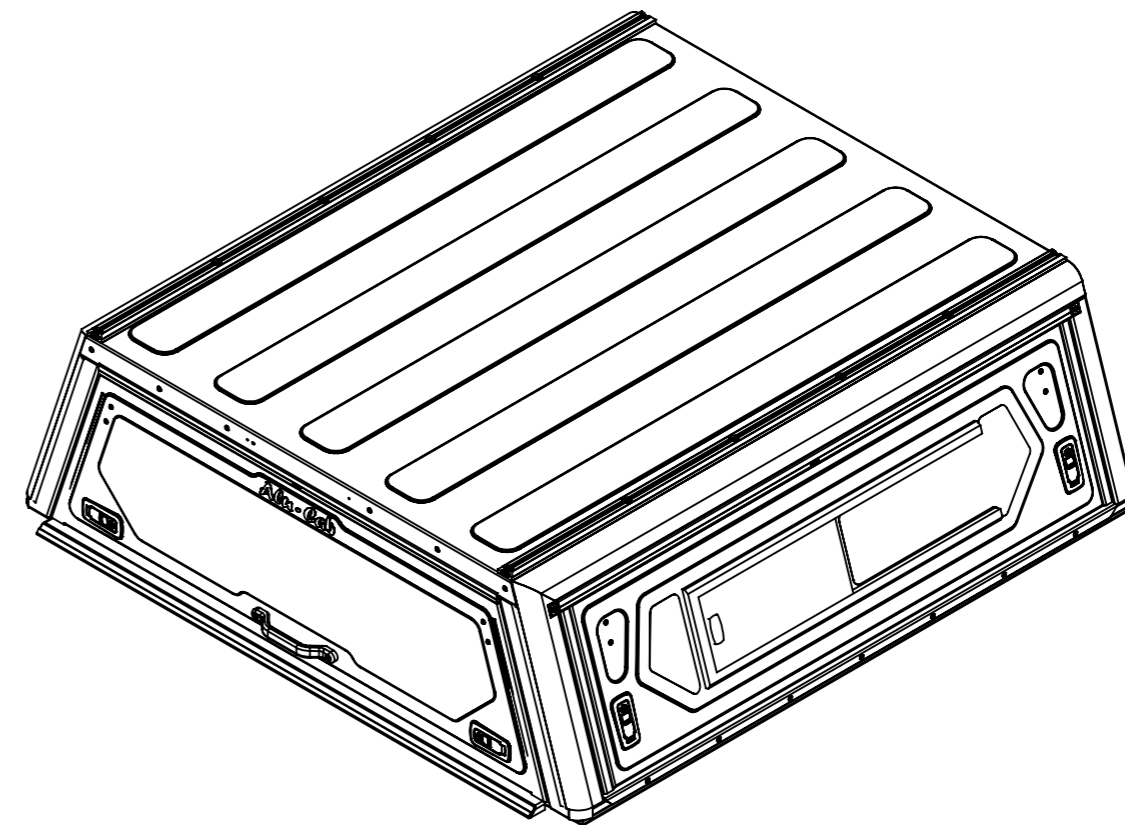
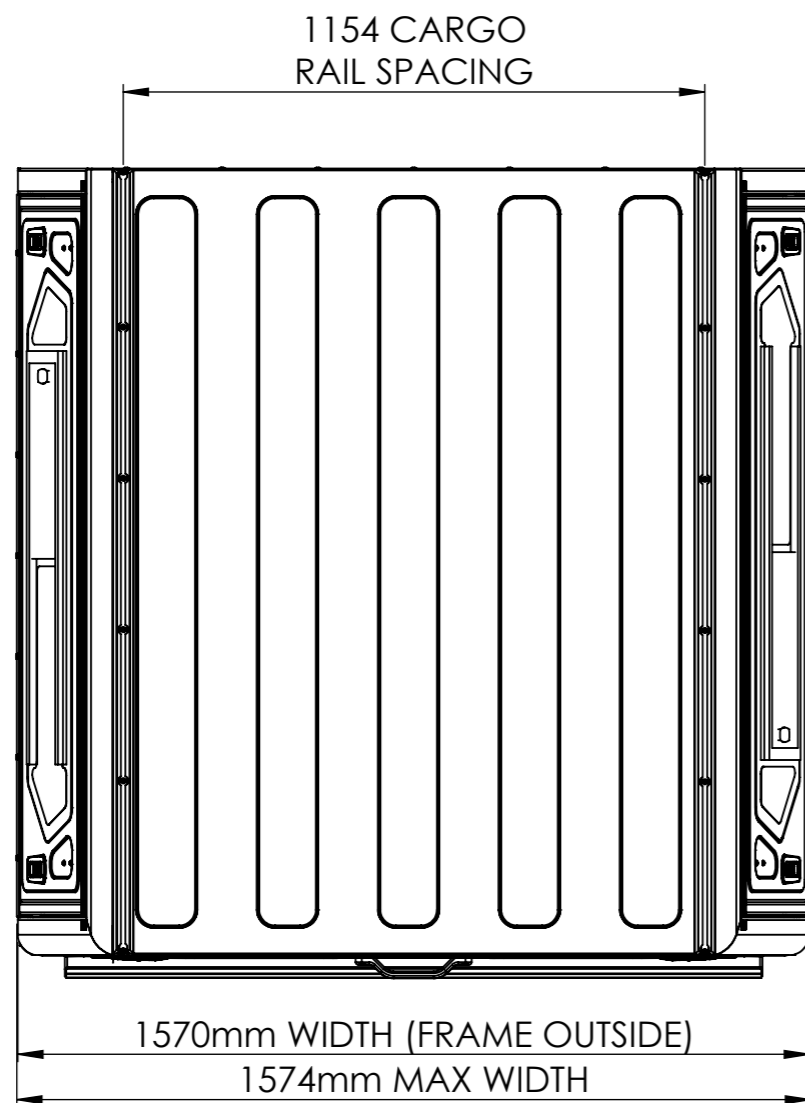
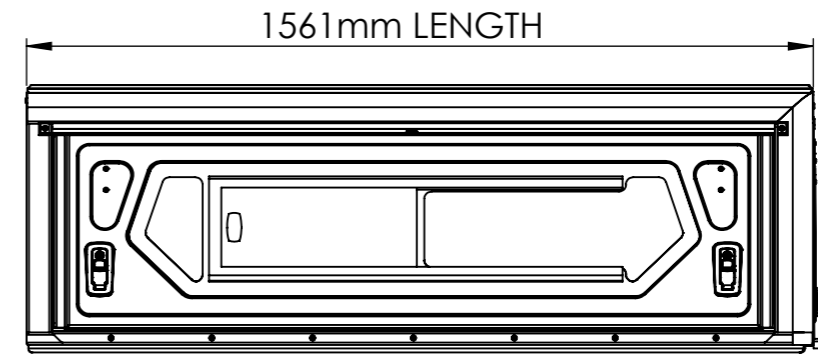
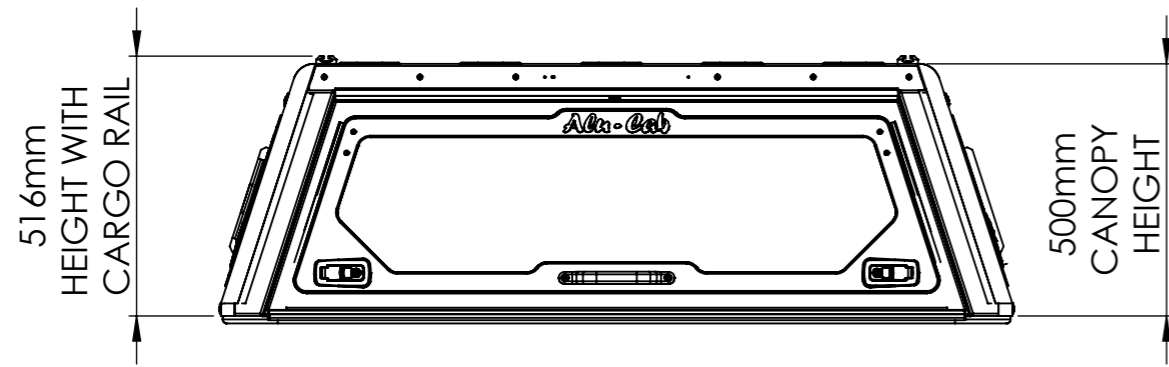


GENERAL ARRANGMENT ONLY



TOLERANCES TO ASSUME
UNLESS INDICATED OTHERWISE

NOM DIMENSION	RANGE (mm)	TOLERANCE
0.50	- 3.00	± 0.10
3.00	- 6.00	± 0.15
6.00	- 30	± 0.20
30	- 120	± 0.30
120	- 400	± 0.50
400	- 1000	± 1.00
1000	- 1000<	± 2.00

DESCRIPTION:
FORD RANGER T6 MAIN ASSEMBLY

PROJECT:
C-FR12-D CANOPY G2 FORD RANGER 2012 DCAB

DRAWN BY:
System Administrator

DATE:
2022-04-04

THE INFORMATION CONTAINED WITHIN THIS DOCUMENT
IS THE INTELLECTUAL PROPERTY OF ALU-CAB (PTY) LTD

SHEET:
A3

SCALE:
1 of 1

DRAWING NO.
C2-D-FR12-A00-GA



REV