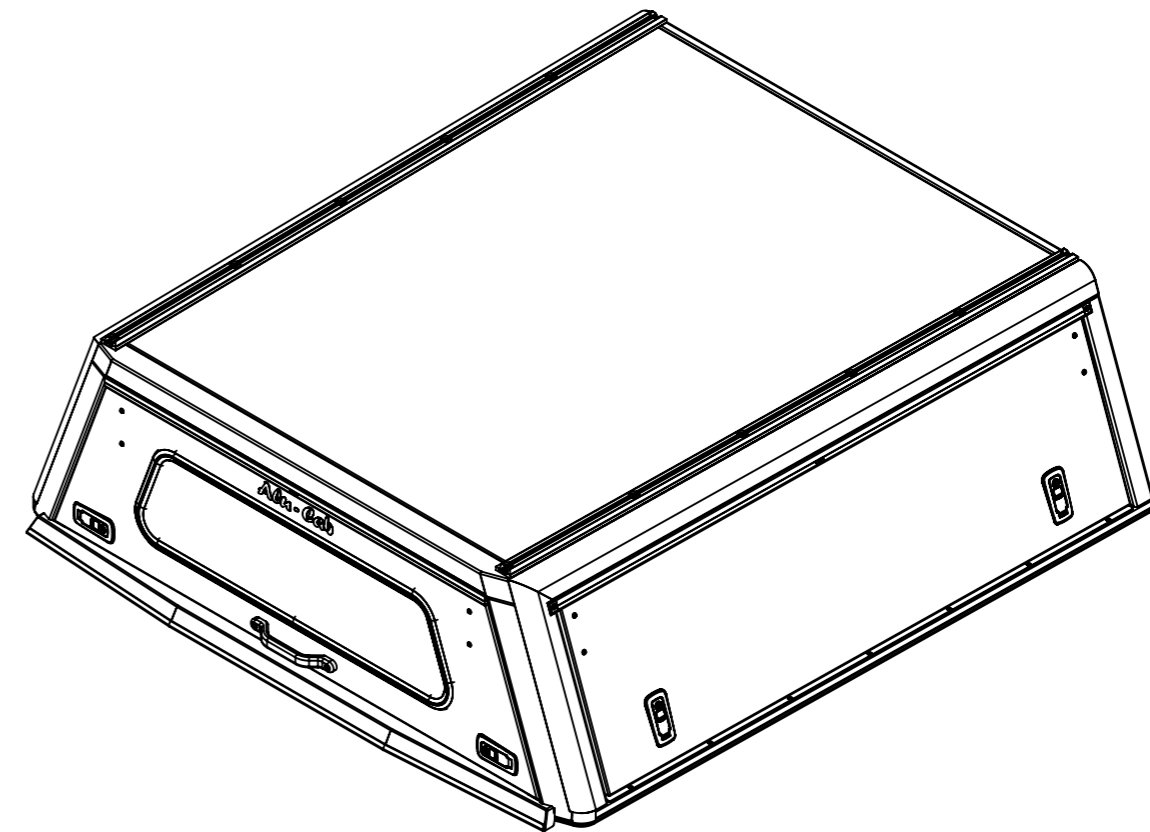
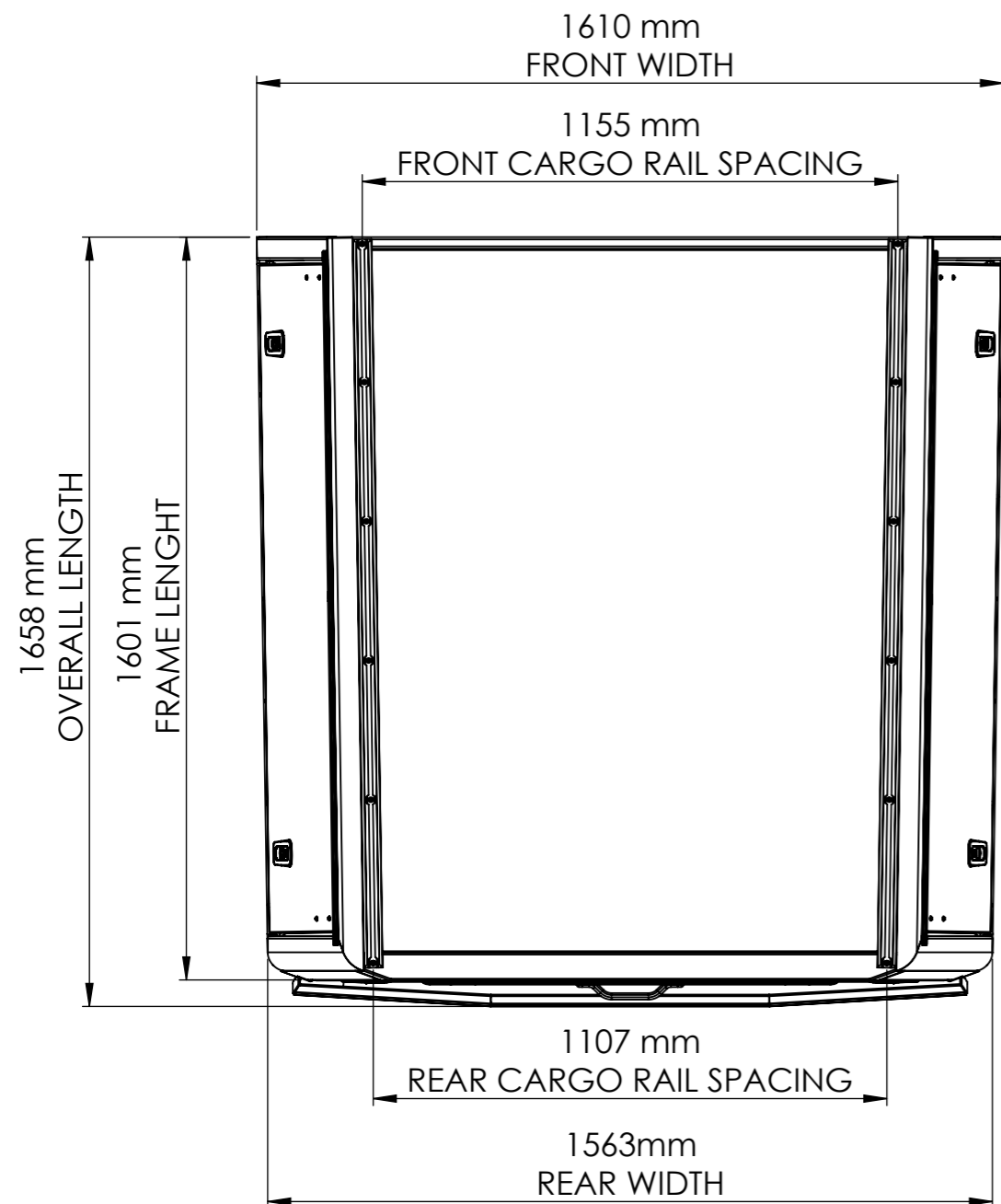
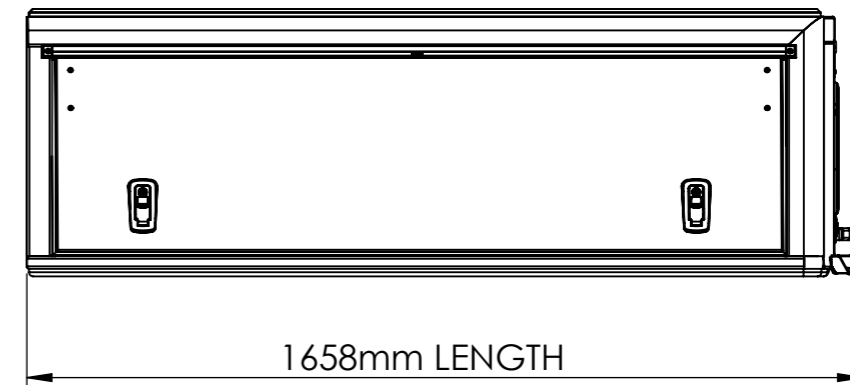
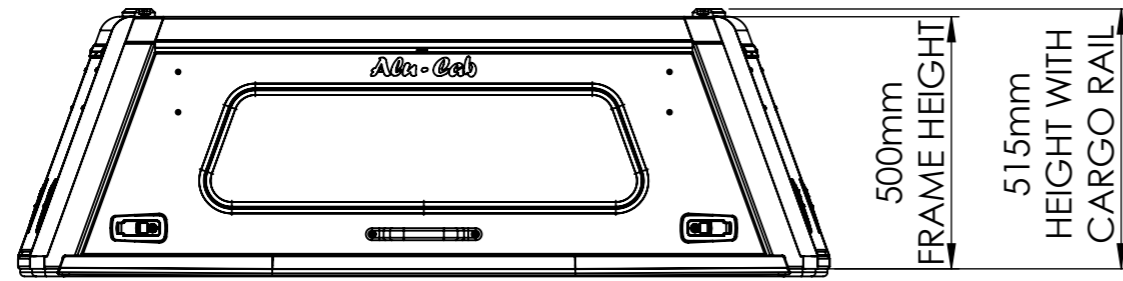



GENERAL ARRANGEMENT ONLY



TOLERANCES TO ASSUME UNLESS INDICATED OTHERWISE		MATERIAL DESCRIPTION:		MATERIAL THICKNESS (mm):	
NOM DIMENSION	RANGE (mm)	TOLERANCE	DESCRIPTION:	SHEET:	SHEET 1 of 1
0.50	- 3.00	± 0.10	VW AMAROK 2023 MAIN ASSEMBLY	A3	
3.00	- 6.00	± 0.15	PROJECT:	SCALE:	
6.00	- 30	± 0.20	C-D-VA23-E	1:15	
30	- 120	± 0.30	DRAWN BY:	DATE:	DRAWING NO.
120	- 400	± 0.50	Jac Braamse	2023-04-17	
400	- 1000	± 1.00	THE INFORMATION CONTAINED WITHIN THIS DOCUMENT IS THE INTELLECTUAL PROPERTY OF ALU-CAB (PTY) LTD		REV
1000	- 1000<	± 2.00	C-D-VA23-A00-GA		