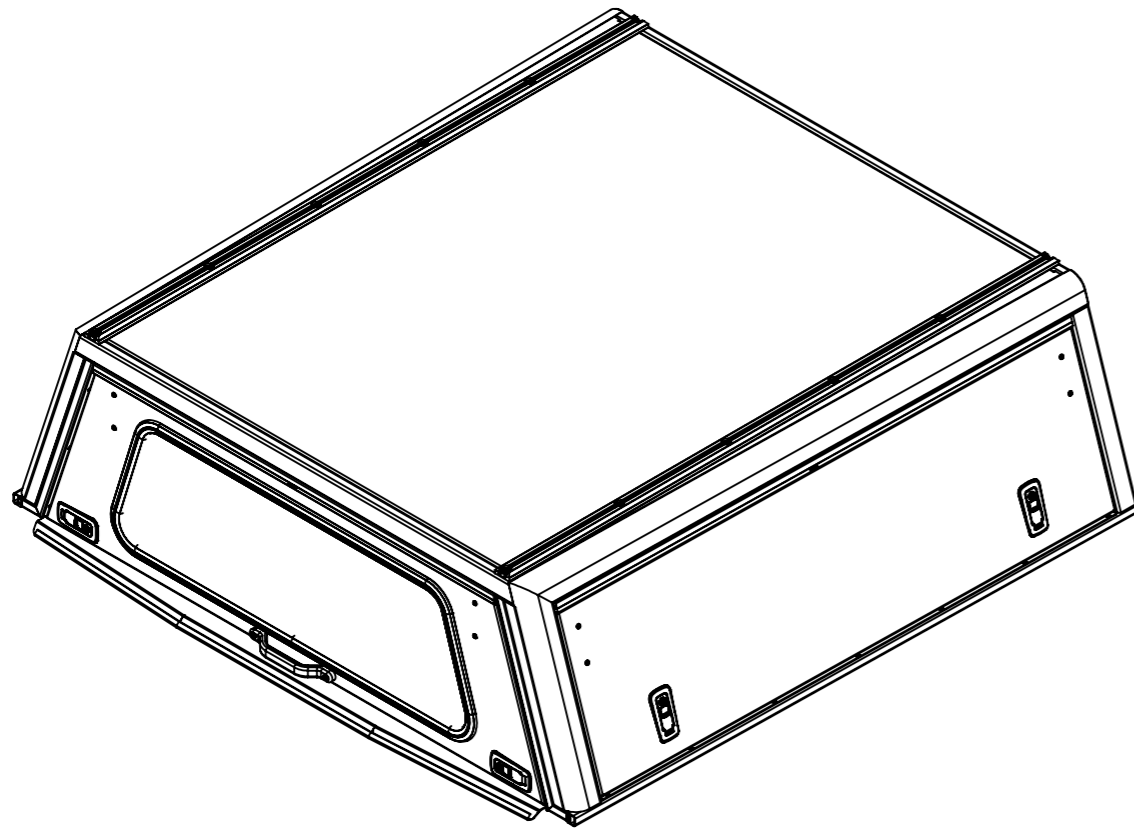
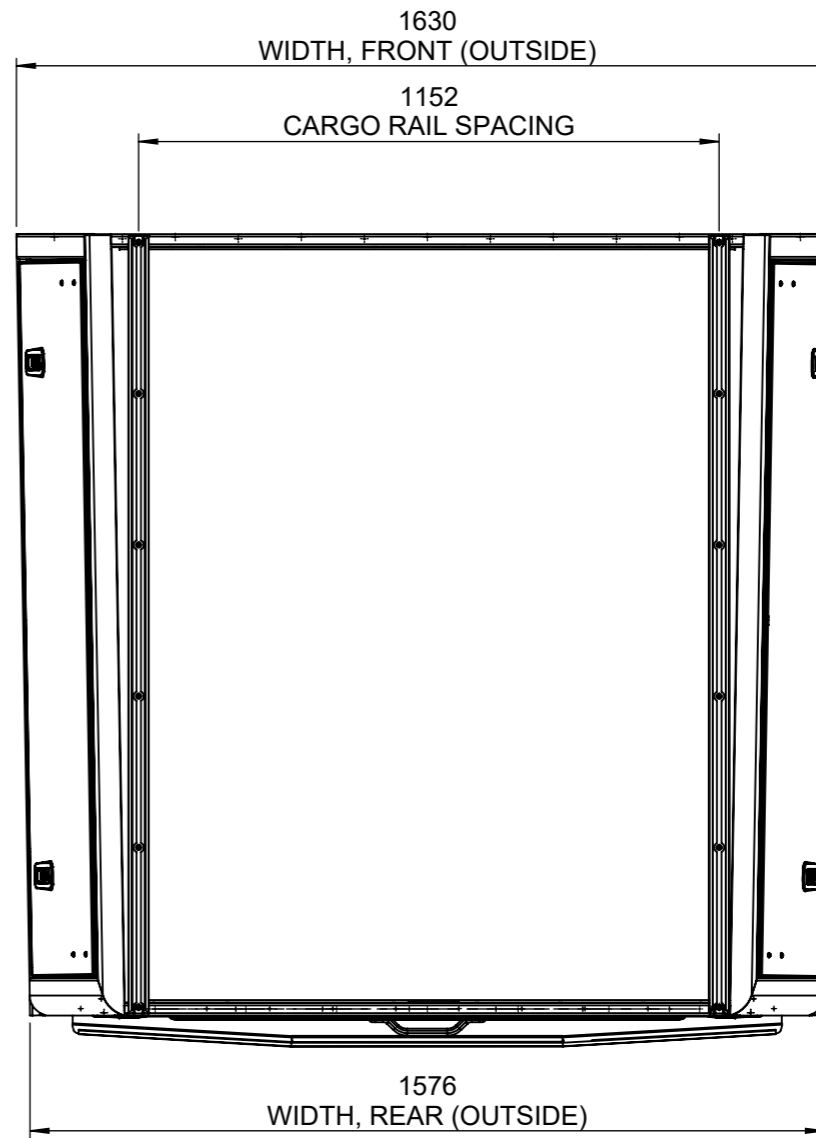
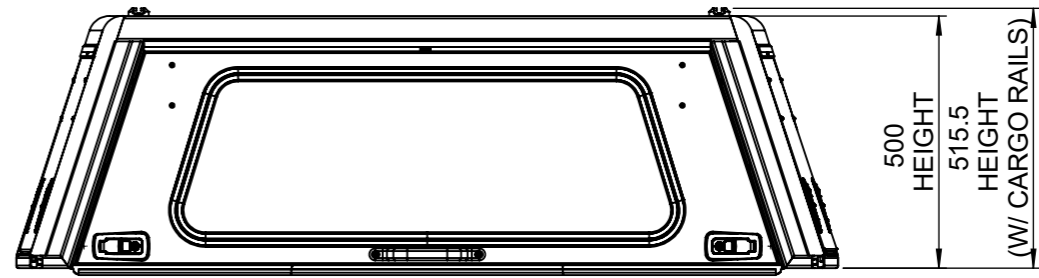
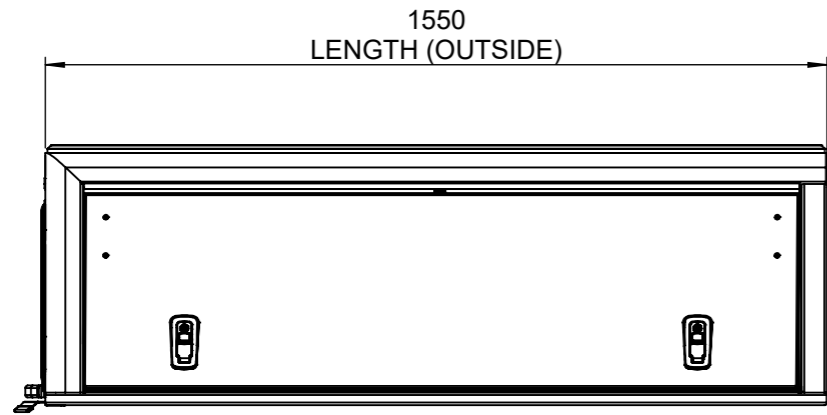


GENERAL ARRANGEMENT ONLY



TOLERANCES TO ASSUME
UNLESS INDICATED OTHERWISE

NOM DIMENSION	RANGE (mm)	TOLERANCE
0.50	- 3.00	± 0.10
3.00	- 6.00	± 0.15
6.00	- 30	± 0.20
30	- 120	± 0.30
120	- 400	± 0.50
400	- 1000	± 1.00
1000	- 1000<	± 2.00

DESCRIPTION:

ISUZU DC 2020 CANOPY ASSEMBLY

PROJECT:

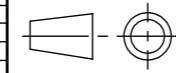
293 - 293 - ISUZU 2020 DC EXP CANOPY

DRAWN BY:

System Administrator

DATE:

2022-04-12



THE INFORMATION CONTAINED WITHIN THIS DOCUMENT IS THE INTELLECTUAL PROPERTY OF ALU-CAB (PTY) LTD

SHEET:
A3

SHEET
1 of 1



DRAWING NO.

EX CANOPY GA - ISUZU 20 D-MAX DC

REV

REVISIONS

REV.	DESCRIPTION	DATE	APPROVED
1			
2			
3			
4			
5			
6			
7			