

FITMENT INSTRUCTIONS



Awning to Hercules Roof Conversion (494-AWN-TRPY-MNT-LH-ASSY-01)

All rights reserved. No part of this document may be reproduced, translated, stored in a retrieval system, or transmitted, in any form or by any means, electronic, mechanical, photocopying, recording or otherwise, without prior written permission of the owner.

Review all instructions information carefully before installation.

Any damages, direct or incidental to the installer and/or property due to incorrect installation of any parts are the responsibility of the installer. Due to the various applications and fitment options available, the responsibility lies with the user to ensure all mounting points are secure and tight before every trip. If unsure, consult with your Distributor regarding the operations of our products.

Users are advised to be mindful of the load they are carrying and drive in accordance with road conditions.

DISCLAIMER



1. Shadow Awning Fitment – Tools, Fasteners & Materials

The tables below show the equipment, i.e. tools and fasteners required to start the Shadow Awning fitment onto a Hercules roof conversion, on the left-hand side.

1.1. Tools & Items Required:

TOOLS
Ratchet
13mm Socket & Ring Spanner
4 mm Allen Key
Drill
Drill Bit Ø8.5 mm & Ø11.mm

ITEM
Diluted Isopropyl Alcohol (Preferred)
Cloth
Black sealant, silicone or Sikaflex

1.2. Fasteners supplied: (Included with Mounting Kit)

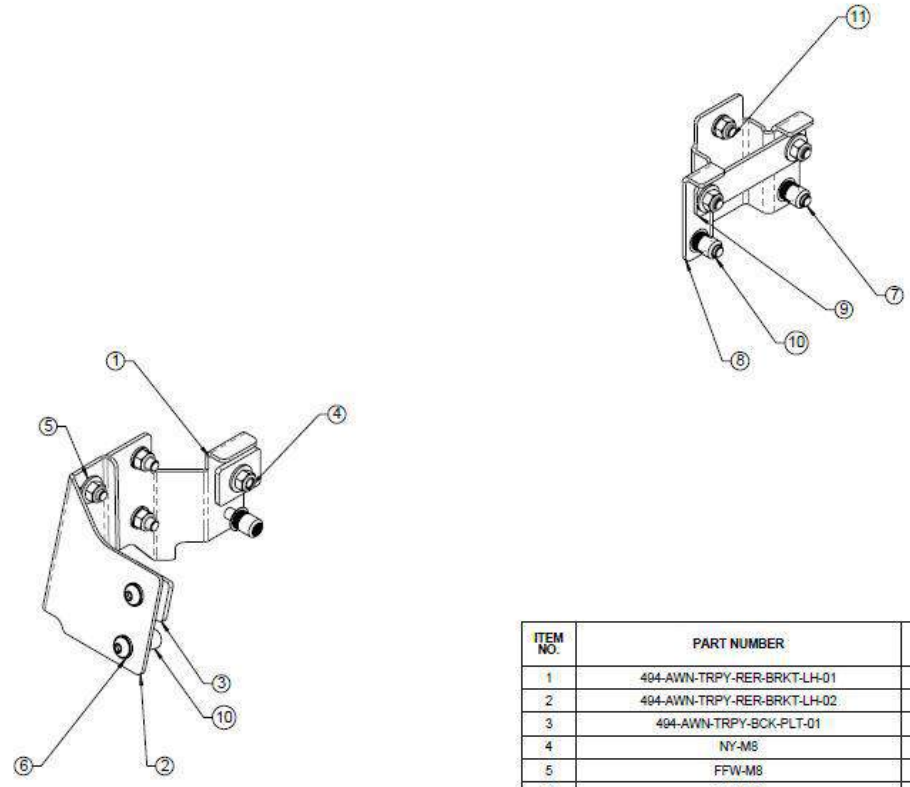
PRODUCT CODE	ITEM	QTY
FW-M8	M8 FLAT WASHER	22
RIV-LF-M8	M8 RIVNUTS	4
NY-M8	M8 NYLOCK NUT	10
BHD-M8x25	M8X25 B/HD BOLT S/S	12
BHD-M8x20	M8X20 B/HD BOLT S/S	2
FFW-M8	M8 FENDER WASHER	2

1.3 Hardware Required: (Included with Mounting Kit)

PRODUCT CODE	DESCRIPTION	QTY
494-AWN-TRPY-FNT-BRKT-01	AWNING FRONT MOUNTING BRACKET	1
494-AWN-TRPY-FNT-BCK-PLT-01	AWNING MOUNT BACKING PLATE	1
494-AWN-TRPY-RER-BRKT-LH-01	AWNING REAR MOUNTING BRACKET 1	1
494-AWN-TRPY-RER-BRKT-LH-02	AWNING REAR MOUNTING BRACKET 2	1
494-AWN-TRPY-BCK-PLT-01	AWNING MOUNT BACKING PLATE	2

NOTE The Shadow Awning is sold separately, and is not included in this mounting kit.

MASS (kg):	
BONDED:	
FASTENED:	Y
WELDED:	
TUMBLING:	
BRUSHED:	
POWDER:	
SPRAY:	
COLOUR:	N/A



ITEM NO.	PART NUMBER	DESCRIPTION	QTY
1	494-AWN-TRPY-RER-BRKT-LH-01	AWNING TO TROOPY MOUNT BRACKET (REAR)	1
2	494-AWN-TRPY-RER-BRKT-LH-02	AWNING TO TROOPY REAR BRACKET 02	1
3	494-AWN-TRPY-BCK-PLT-01	BACKING FLATE 1	2
4	NY-M8	M8 NYLOC NUT S/S	10
5	FFW-M8	M8x24mm OVERSIZED WASHER S/S - DIN 9021	6
6	FW-M8	M8x16mm FLAT WASHER S/S - DIN 125	18
7	BHD-M8x25	M8x25 BHD BOLT S/S	12
8	494-AWN-TRPY-FNT-BRKT-01	AWNING FRONT MOUNT BRACKET	1
9	494-AWN-TRPY-FNT-BCK-PLT-01	FRONT BACKING PLATE	1
10	RIV-LF-M8	M8 L/F RIVNUT	4
11	BHD-M8x20	M8x20 BHD BOLT S/S	2

TOLERANCES TO ASSUME UNLESS INDICATED OTHERWISE
 (NOW DIMENSION RANGE (mm) TOLERANCE)
 0.50 - 3.00 ± 0.10
 3.00 - 6.00 ± 0.15
 6.00 - 30 ± 0.20
 30 - 120 ± 0.30
 120 - 250 ± 0.50
 250 - 1000 ± 1.00
 1000 - ± 2.00

DESCRIPTION: **AWNING TO TROOPY MOUNTING LH ASSEMBLY**
 PROJECT: **494 - MOUNTING KIT - AWNING TO HERCULES**

DRAWN BY: System Administrator DATE: 2020-10-30
 THE INFORMATION CONTAINED WITHIN THIS DOCUMENT IS THE INTELLECTUAL PROPERTY OF ALU-CAB (PT) LTD.

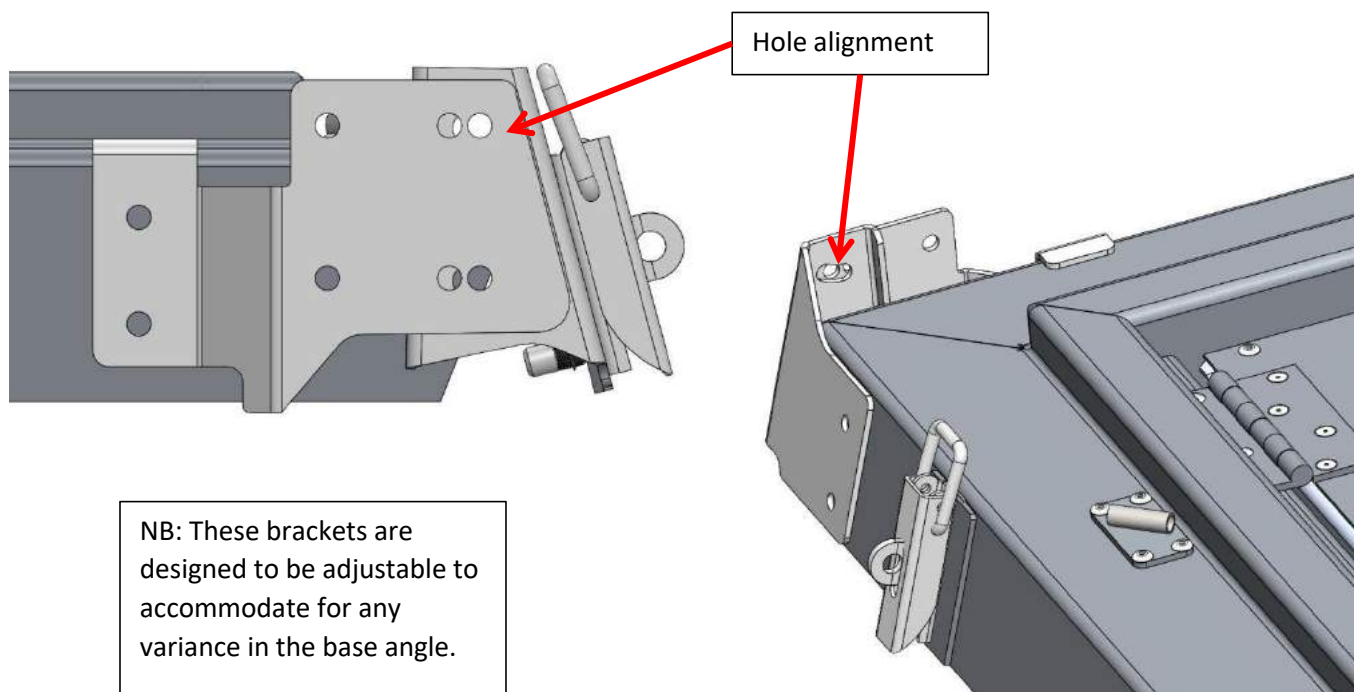
SHEET: A3
 SCALE: 1:3
 SHEET 1 of 1

REV.	DESCRIPTION	DATE	APPROVED
00	RELEASED FOR PRODUCTION	2020-11-02	System Administrator

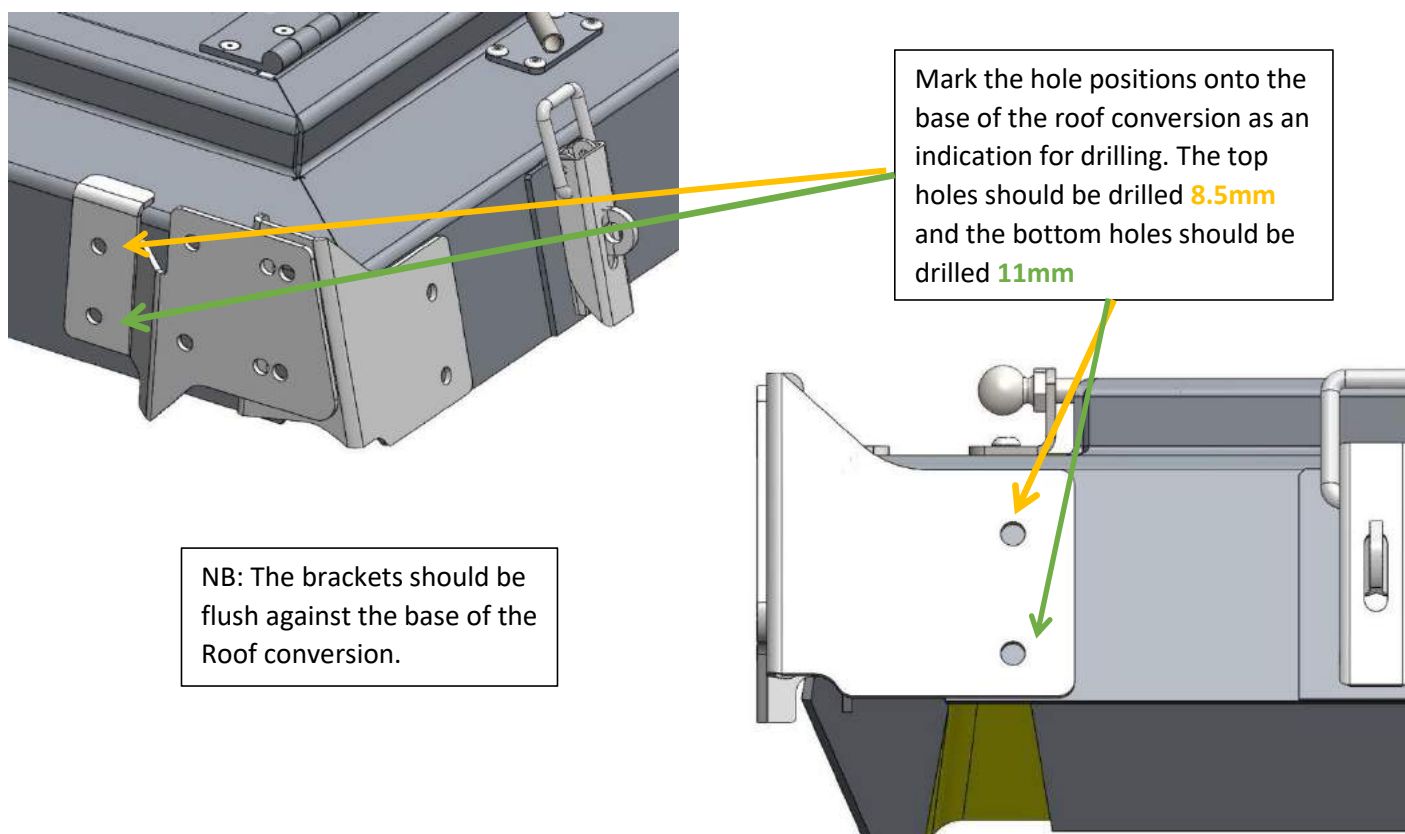
DRAWING NO:	494-AWN-TRPY-MNT-LH-ASSY-01	REV:	00
-------------	-----------------------------	------	----

2. Fitment of Rear Mounting Bracket

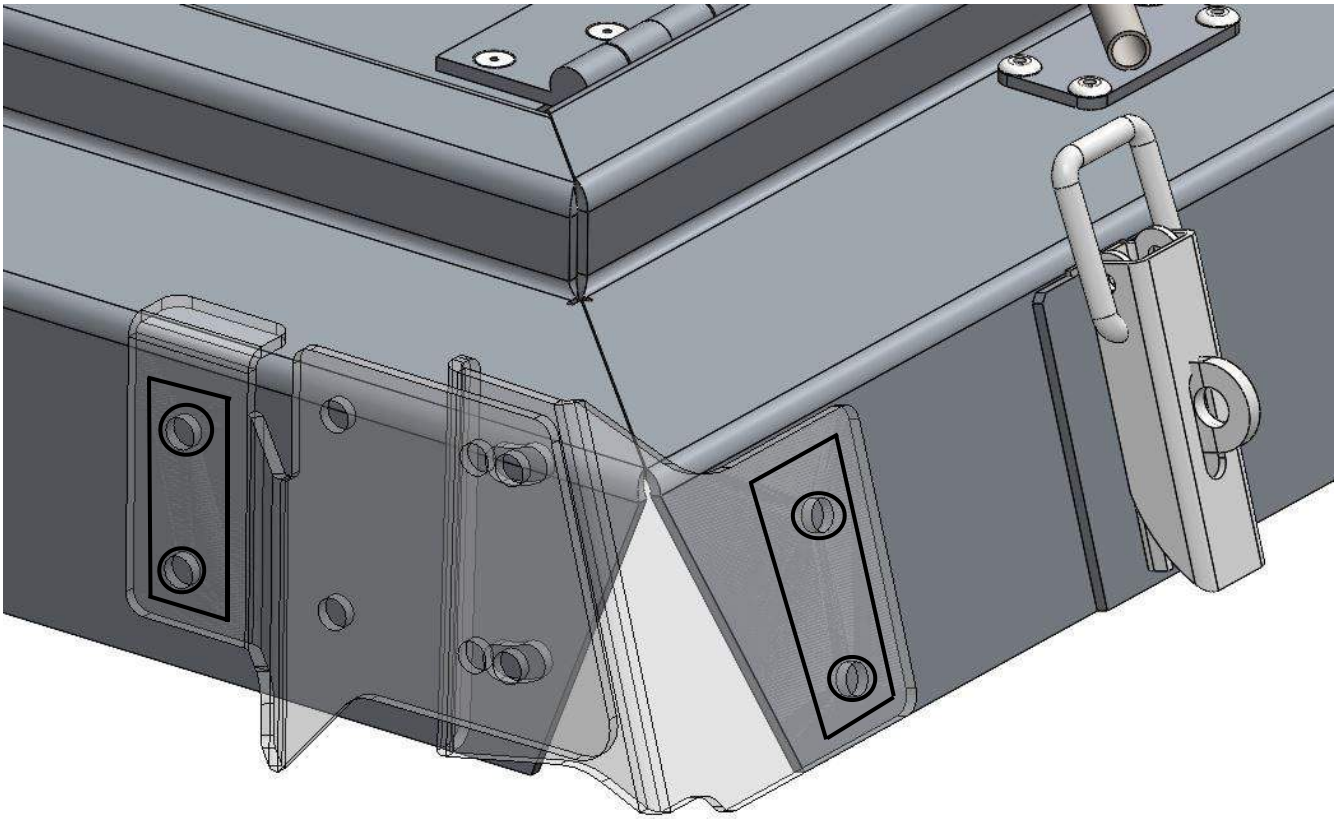
At the rear left-hand corner of the Roof conversion, align the holes on the 2 brackets provided in the mounting kit as seen in the images below.



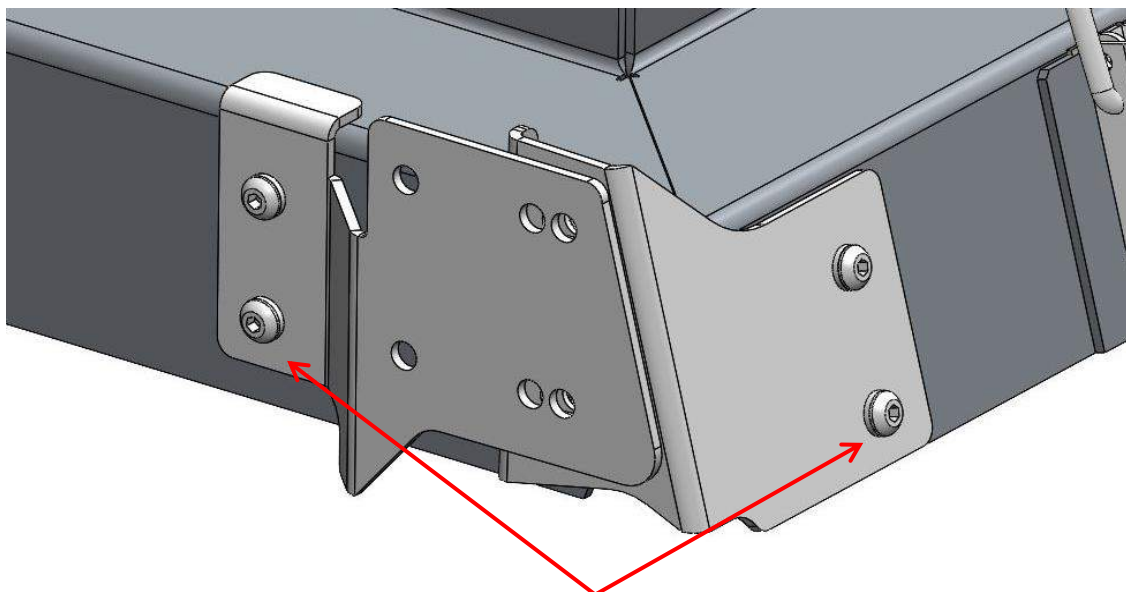
Once the brackets are aligned, you can now mark the area of the base where you would be required to drill your holes.



Apply unbroken beads of sealant around all of the drilled holes, as well as making an unbroken bead around the perimeter, within the bounds of where the corner bracket and the front bracket will mount. See the image below:



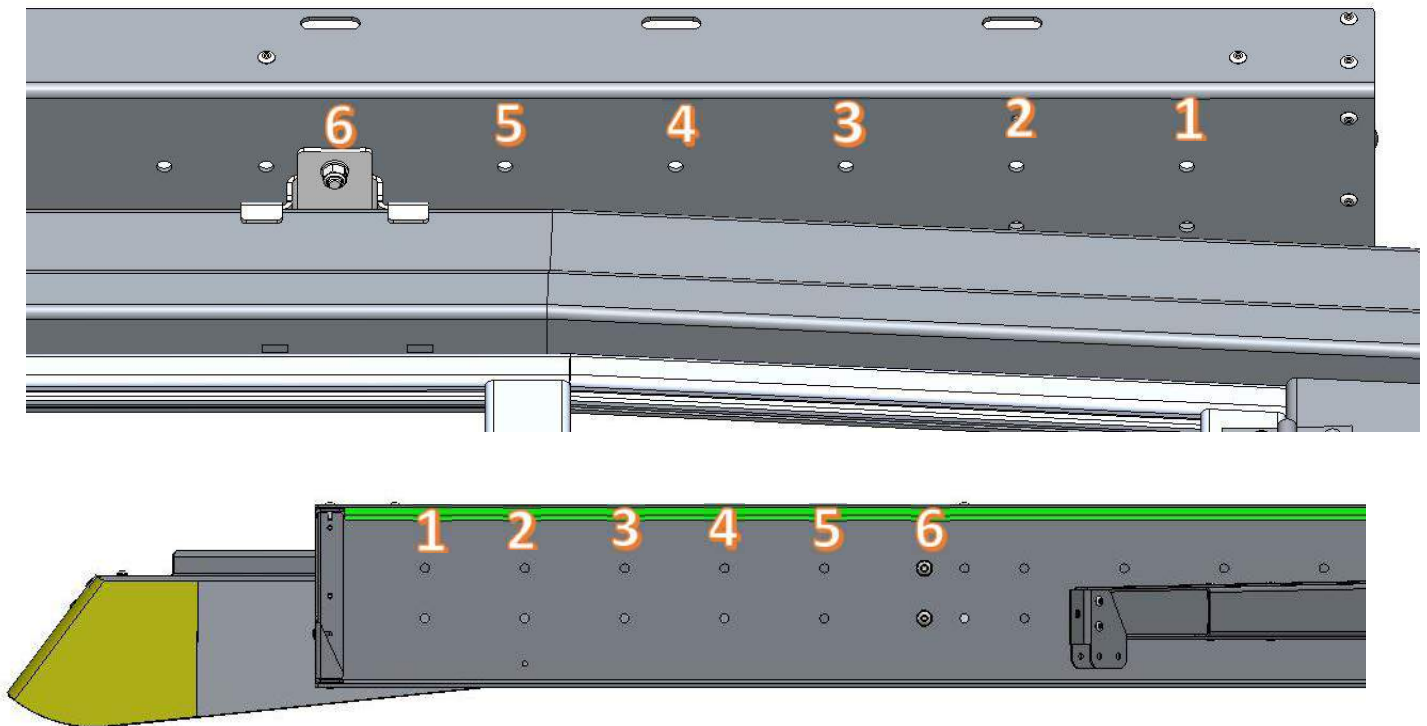
Once all the holes are drilled and the sealant is applied. You can now mount these brackets using the bolts supplied as shown in the drawing provided on page 3.



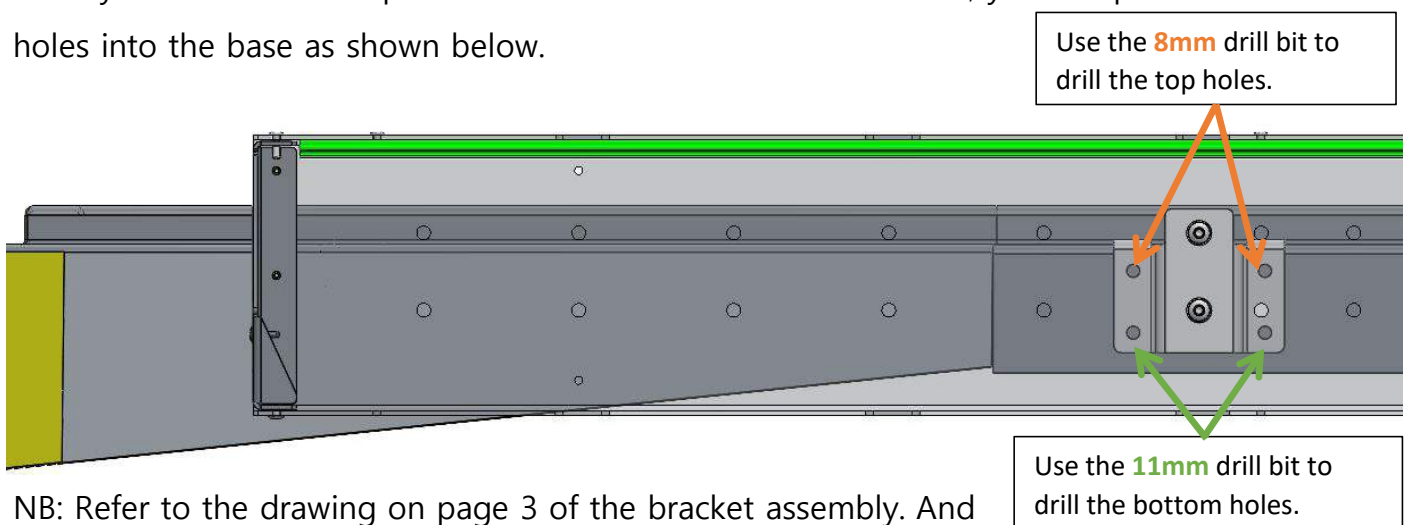
NB: These bottom holes of the base of the roof conversion should be fitted with M8 Riv-nuts as shown in the bracket assembly on page 3.

3. Fitment of Front Mounting Bracket

To fit the front mounting bracket you will have to mount the bracket to the casing to get an accurate position for you to mark the position your holes on the base of the Roof conversion. Use the sixth hole from the front end casing end as shown in the image below.



Once you've marked the position of the holes on the base of the, you can proceed to drill the holes into the base as shown below.



NB: Refer to the drawing on page 3 of the bracket assembly. And

use the same method of applying the sealant on and around the holes of the bracket such as the previous bracket.

Once mounted, the awning will align with the Roof Conversion, as shown below (arms, canvas and bag removed for clarity):

