

FITMENT INSTRUCTIONS

Alu-Cab™



Sparewheel carrier to Khaya Fitment

All rights reserved. No part of this document may be reproduced, translated, stored in a retrieval system, or transmitted, in any form or by any means, electronic, mechanical, photocopying, recording or otherwise, without prior written permission of the owner.

Review all instructions information carefully before installation.

Any damages, direct or incidental to the installer and/or property due to incorrect installation of any parts are the responsibility of the installer. Due to the various applications and fitment options available, the responsibility lies with the user to ensure all mounting points are secure and tight before every trip. If unsure, consult with your Distributor regarding the operations of our products.

Users are advised to be mindful of the load they are carrying and drive in accordance with road conditions.

DISCLAIMER

Alu-Cab

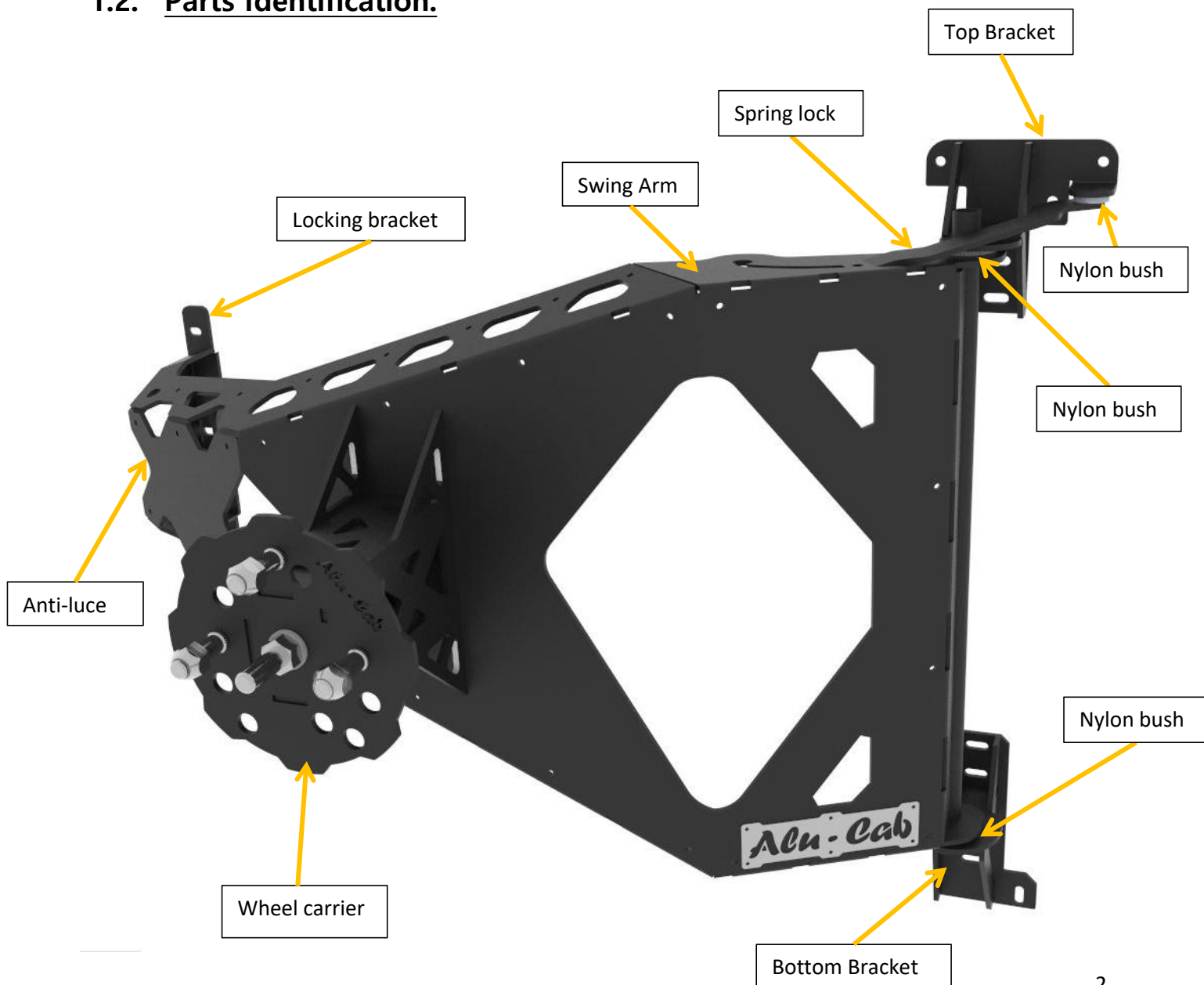
1. Tools, Fasteners & Materials

The tables below show the equipment, i.e. tools and fasteners required to start the shower cubicle fitment onto a Icarus Tent.

1.1. Tools Required:

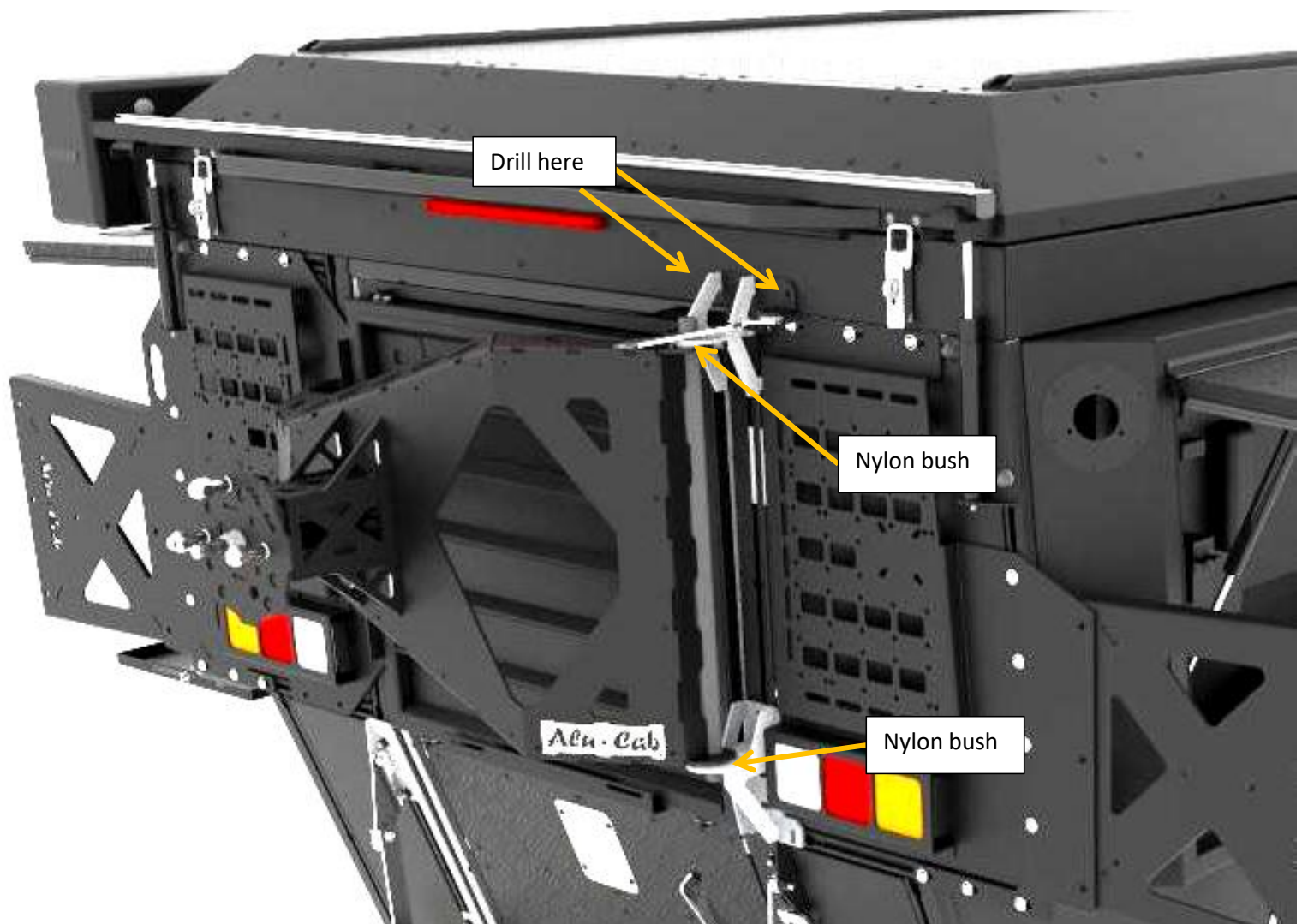
TOOLS
Ratchet
13mm Socket
13mm Ring Flat Spanner
Allen Keys

1.2. Parts Identification:



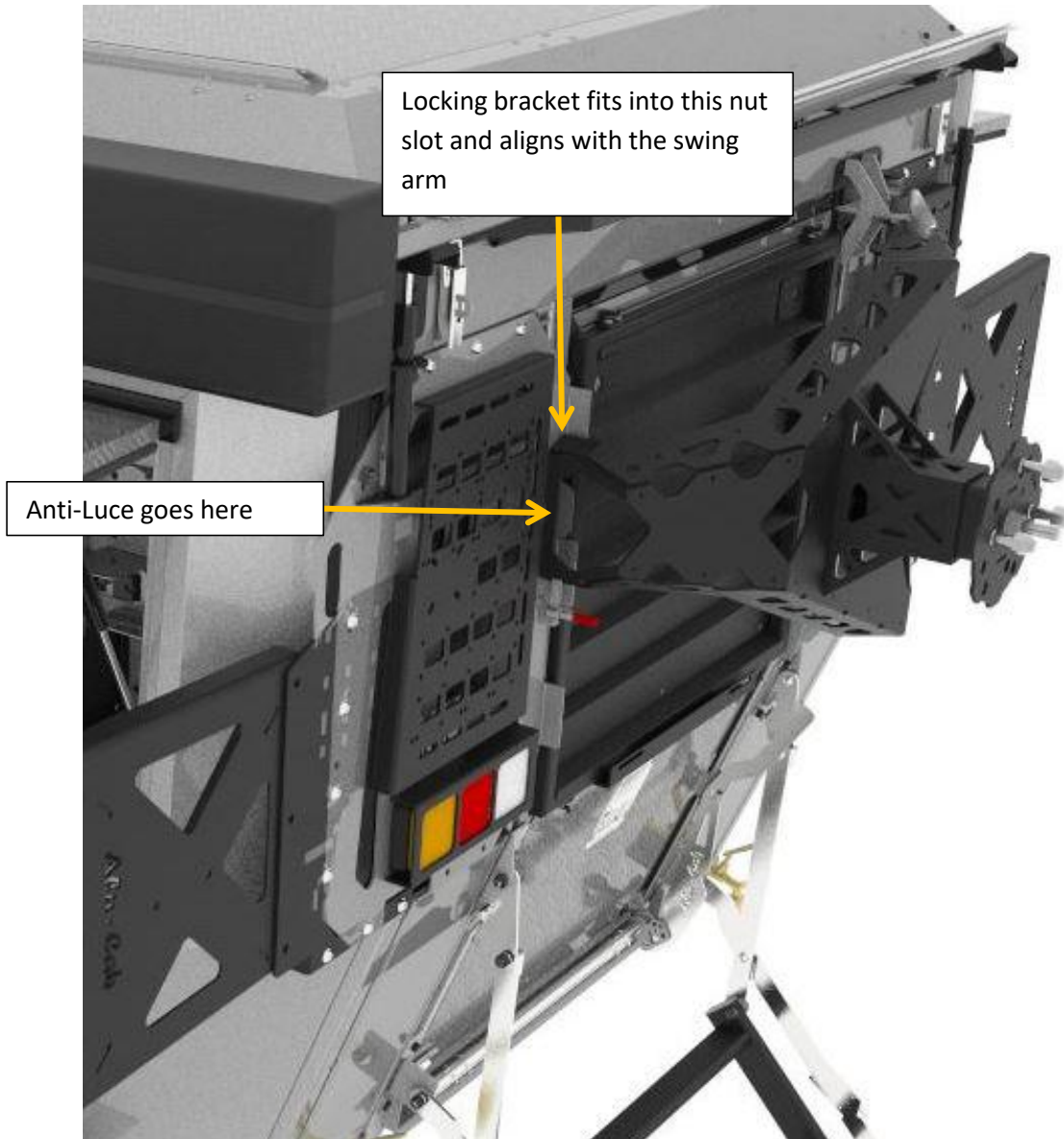
2. Fitment Procedure:

Start by fitting the bottom bracket to the vertical and horizontal nut slots that are on the left of the right hand side tail light. Fit the swing arm nylon bush to the bottom bracket, then fit the swing arm pivoting tube into the nylon bush. Slide on a nylon bush to the top of the pivot tube while holding up the swing arm. Now slide on the top bracket and fasten into the nut slot. Align the swing arm so that it swings freely.



Drill the top 3 holes once the complete swing arm is aligned with the locking bracket

Fit the Locking Bracket to the nut slot as seen below with the Anti-luce facing outward, so that the Anti-luce slides into the swing arm as it closes and it locks sliding the Anti-luce pin vertically. The M8 nyloc nut of the Anti-luce fits into the nut slot, while the bolts for the locking bracket fits into the nut slot.



3. Fitting the spring lock:

Bolt in at the nylon bush with a bolt nut and washer. At the swing arm side, see stack up below. The spring lock will slide on the nyloc nut and pop into the hole on the end of the path as it opens.

