



## FITMENT INSTRUCTIONS

Canopy Camper Door Lockout Mechanism Fitment Instructions

# Installation Instructions

---

## Preliminary information

Installation and fitment instructions includes the tools required, fasteners included in the kit, and the hardware included in the kit.

Please follow the instructions and check installation steps with the images in this document.

Alu-Cab recommends that all sealing work is allowed to cure for 24 hours, after which you may drive the vehicle on normal paved roads. Before driving off-road with your Alu-Cab product or operating your roof conversion, an additional cure period of 48 hours is required.

Failure to follow these instructions will void your warranty. Please ensure that you follow the sealant manufacturers curing time as per their technical data sheet.

These times may differ slightly from the times we have recommended.



Service Enquiries email  
[queries@alu-cab.com](mailto:queries@alu-cab.com)

# Installation Instructions

1.1

## Tools & Items Required

Rivet Gun with an M8 Rivnut Mandrel
Drill
Ratchet
5mm Allen Key / 5mm Allen Key Socket
3mm Allen Key / 3mm Allen Key Socket
Ø11mm HSS Drill Bit
Ø5mm HSS Drill Bit

1.2

## Fasteners Supplied (included with Side Boxes)

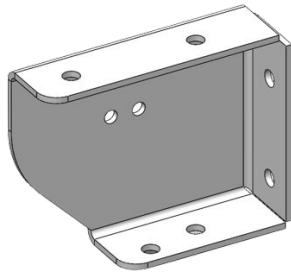
M8x20 B/HD BOLT S/S	2
M8x25 B/HD BOLT S/S	4
M8x16mm FLAT WASHER S/S - DIN 125	9
M8 HEX NUT S/S	2
M8 RIVNUT CSK	6
M8 SPRING WASHER S/S	6

# Installation Instructions

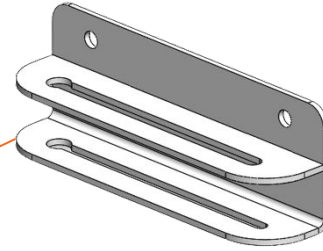
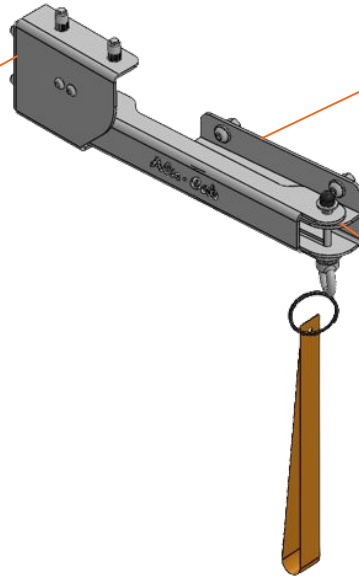
---

2

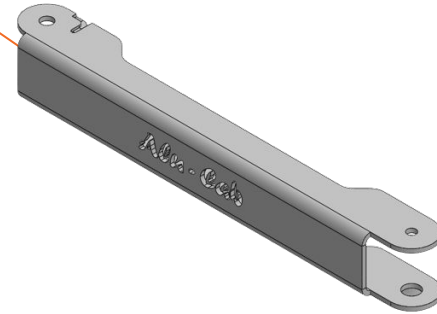
## Component Identification



REAR DOOR STAY-FIXED MOUNT



REAR DOOR STAY- DOOR MOUNT ASSY

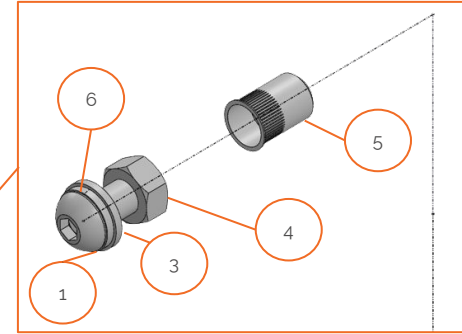
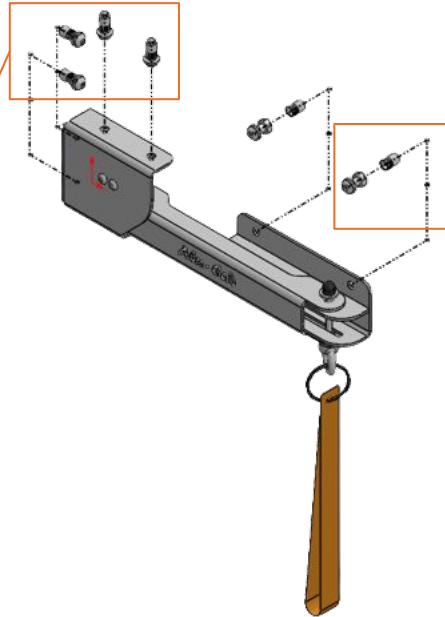
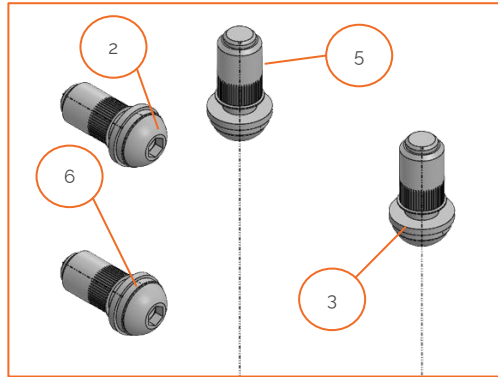


REAR DOOR SLIDE- ARM ASSY

# Installation Instructions

2

## Fastener Position Identification



No	Description	Qty
1	M8x20 B/HD BOLT S/S	2
2	M8x25 B/HD BOLT S/S	4
3	M8x16mm FLAT WASHER S/S - DIN 125	9
4	M8 HEX NUT S/S	2
5	M8 RIVNUT CSK	6
6	M8 SPRING WASHER S/S	6

# Installation Instructions

---

3

## Removal of Old Shock Mounting Bracket



Remove the old shock mounting bracket by unscrewing the shock, undoing the M5 button heads in the door using a 3mm Allen Key / Ratchet and 3mm Allen Key socket.

# Installation Instructions

---

3

## Removal of Old Shock Mounting Bracket



Undo the Deutsche Plug for the Door light and peel back the rear door rebate rubber.

# Installation Instructions

---

3

Removal of Old Shock Mounting Bracket



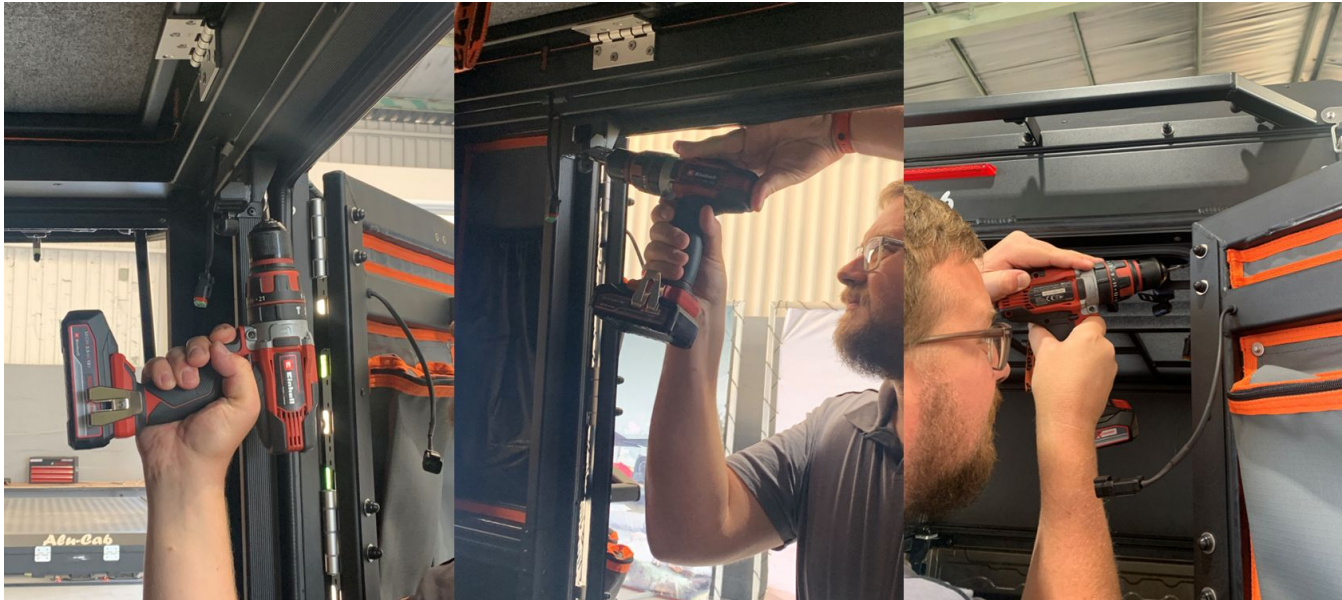


# Installation Instructions

---

3

## Removal of Old Shock Mounting Bracket



With all fasteners removed, proceed to drill out the rivets holding the old rear door stay out. Use a Ø5mm Drill bit

# Installation Instructions

---

3

## Removal of Old Shock Mounting Bracket



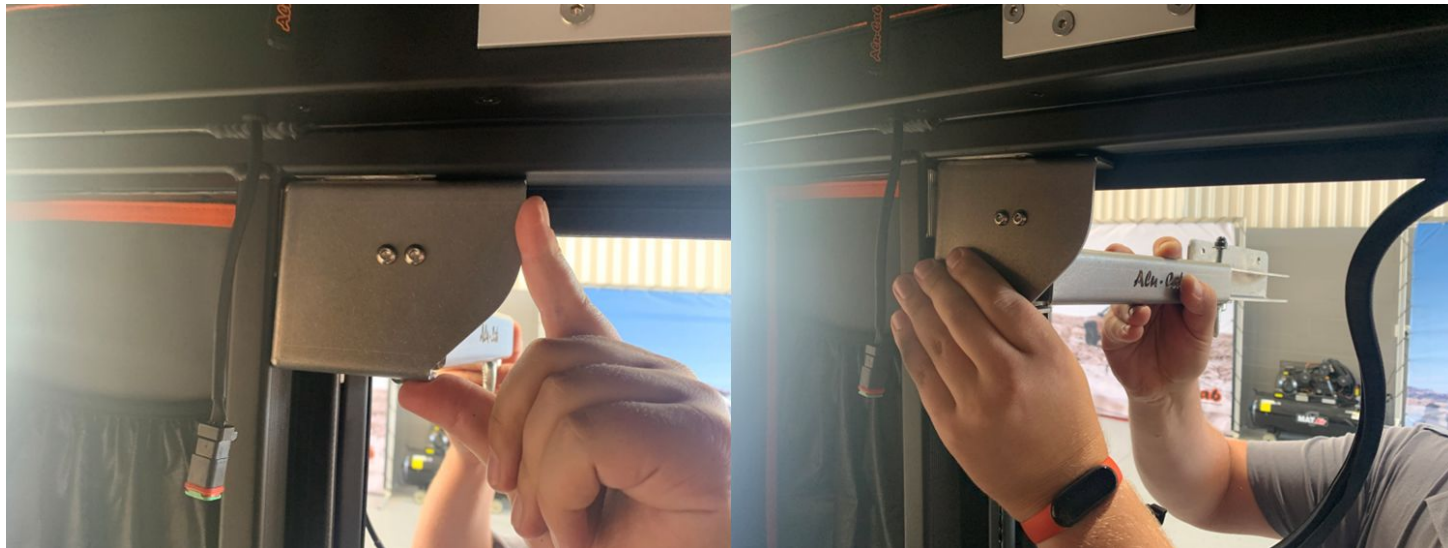
Note: The Rear door stay was installed using an adhesive so it may require some force to remove. Using a flat headed screwdriver remove the rear door stay

# Installation Instructions

---

4

Fit new REAR DOOR STAY-FIXED MOUNT



Note: Mark out the holes for the *REAR DOOR STAY-FIXED MOUNT* on the Canopy Camper Frame.

# Installation Instructions

---

4

Fit new REAR DOOR STAY-FIXED MOUNT



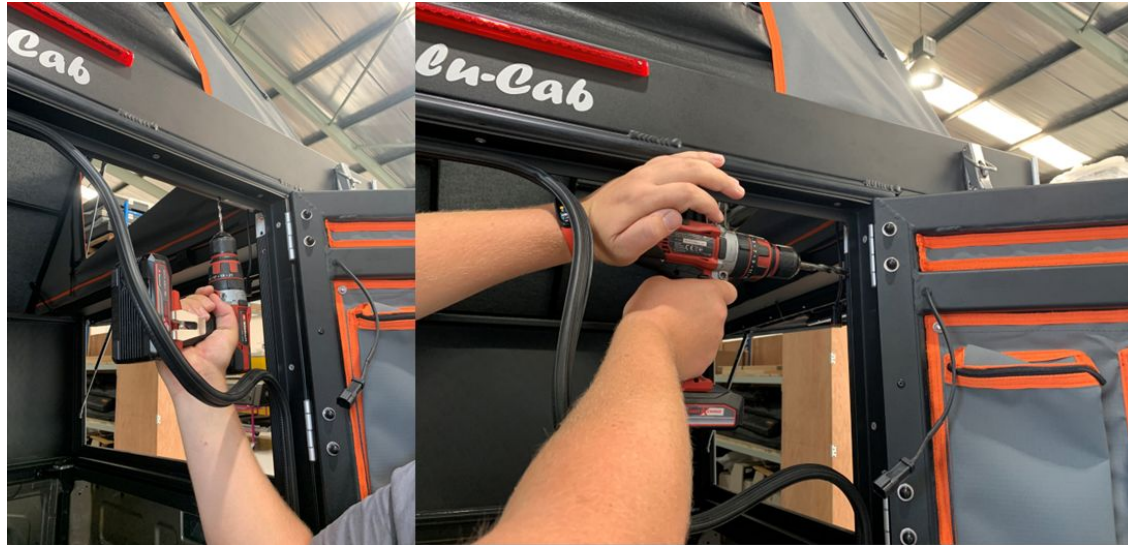
Note: Use a Drill with an Ø11mm HSS Drill bit to drill out the marked holes.

# Installation Instructions

---

4

Fit new REAR DOOR STAY-FIXED MOUNT

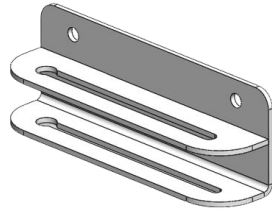


Note: Use a Drill with an  $\text{\O}11\text{mm}$  HSS Drill bit to drill out the marked holes. Install the supplied M8 Rivnuts in the holes using a rivet gun. Place the *REAR DOOR STAY-FIXED MOUNT* into position and fasten in place using the supplied M8x25 Button Head bolts, flat washers and spring washers.

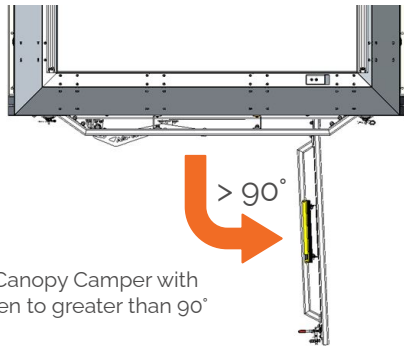
# Installation Instructions

5

## Fit new REAR DOOR STAY- DOOR MOUNT ASSY



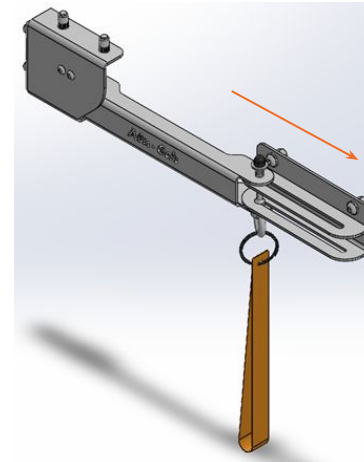
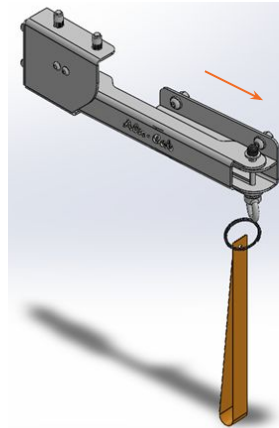
REAR DOOR STAY- DOOR MOUNT ASSY



Top View of Canopy Camper with  
Rear Door Open to greater than 90°

The position of the *REAR DOOR STAY- DOOR MOUNT ASSY* determines how far the rear door will open. To find the correct position to install the *REAR DOOR STAY- DOOR MOUNT ASSY* the following steps must be performed:

1. Open your rear door to just beyond 90°
2. Slide the Canopy Camper Door Lockout Mechanism to its furthest position.
3. Place the *REAR DOOR STAY- DOOR MOUNT ASSY* up against the inside face of the door and mark the hole positions out.



Slide the mechanism out until pin locates, this is the furthest position the mechanism will travel to.

# Installation Instructions

---

5

## Fit new REAR DOOR STAY- DOOR MOUNT ASSY

If your rear door does not have nut slots in it you will need to drill holes out for the *REAR DOOR STAY- DOOR MOUNT ASSY*. Drill holes at the position marked out in the previous step. Drill a pilot hole using a smaller diameter drill, Ø4mm HSS Drill bit will work and then open the hole up to Ø11mm using the required drill bit. Fit the supplied rivnuts using a rivet gun and then install the *REAR DOOR STAY- DOOR MOUNT ASSY* using the supplied M8x20 Button head bolts, spring washers and flat washers.



# Installation Instructions

---

5

## Fit new REAR DOOR STAY- DOOR MOUNT ASSY

If your rear door **does** have nut slots in it you can slide the supplied M8 hex nut to the position marked out in the previous step. Then install the *REAR DOOR STAY- DOOR MOUNT ASSY* using the supplied M8x20 Button head bolts, spring washers and flat washers.



Test the mechanism a few times by opening the door until the pin locates, releasing the pin and closing the door again. Some scraping is normal and will decrease with time. Well done the installation has been completed!



# Disclaimer

---

All rights reserved. No part of this website may be reproduced, translated, stored in a retrieval system, or transmitted, in any form or by any means, electronic, mechanical, photocopying, recording or otherwise, without prior written permission of the owner.

## **Review all instructions information carefully before installation.**

Any damages, direct or incidental to the installer and/or property due to incorrect installation of any parts are the responsibility of the installer. Due to the various applications and fitment options available, the responsibility lies with the user to ensure all mounting points are secure and tight before every trip.

If unsure, consult with your Distributor regarding the operations of our products.

Users are advised to be mindful of the load they are carrying and drive in accordance with road conditions.

## **WARNING**

Always wear appropriate PPE (Personal protection equipment) when fitting our products. Although the mounting kit is designed to be DIY, if you have any doubts or concerns, contact an accredited fitment centre to carry out the work. Alu-Cab will not be liable for any injury to persons, and/or damage to products and/or vehicles.

While Alu-Cab Holdings takes reasonable measures to ensure that the contents of this Website are accurate and complete, Alu-Cab Holdings makes no representations or warranties, whether express or implied, as to the quality, timeliness, operation, integrity, availability or functionality of this Website or as to the accuracy, completeness or reliability of any information on this Website. Alu-Cab Holdings reserves the right to make changes, corrections and/or improvements to the information and to the products and programs described in such information, at any time without notice.

Alu-Cab Holdings will use reasonable endeavours to maintain the availability of the Website, except during scheduled maintenance periods, and reserves the right to discontinue providing the Website or the service or any part thereof with or without notice to you. Any person who accesses this Website or relies on this Website or on the information contained in this Website does so at his or her own risk.

Occasionally, at our discretion, we may include or offer third-party products or services on our website. These third-party sites have separate and independent privacy policies. We therefore have no responsibility or liability for the content and activities of these linked sites. Nonetheless, we seek to protect the integrity of our site and welcome any feedback about these sites.