



## FITMENT INSTRUCTIONS

### CANOPY TABLE SLIDE FITMENT INSTRUCTION

## Preliminary Information

---

Installation and fitment instructions including tools required, fasteners included in kit, and the hardware included in kit. Please follow the instructions and check installation actions with the images in this document.



Please be sure to lay out all parts provided on a table or flat surface in order to check that all required parts are accounted for and prevent potential frustration at a later stage.

## Installation Instructions

---

1

Table Slide Fitment – Tools, Fasteners & Materials, the tables below show the equipment, i.e. tools and fasteners required to start the table slide fitment of a canopy.

1.1

### Tools & Items Required

TOOLS	
Allen Key 5mm	
13mm Ring Flat Spanner	

1.2

### Fasteners Supplied (included with canopy)

ITEM	QTY
M8 Hex Nut	6
M8 x 16mm Hex Button Head	6
M8 Flat Washer	6
M8 Spring Washer	6

Please be sure to lay out all parts provided on a table or flat surface in order to check that all required parts are accounted for and prevent potential frustration at a later stage.

## Installation Instructions

---

1

Canopy Fitment – Tools, Fasteners & Materials The tables below show the equipment, i.e. tools and fasteners required to start the canopy fitment for a Ford Ranger 2022.

1.3

### Hardware Required

ITEM	QTY
Table Slide Bracket LHS	1
Table Slide Bracket RHS	1
Table Lock Assembly	1

Please be sure to lay out all parts provided on a table or flat surface in order to check that all required parts are accounted for and prevent potential frustration at a later stage.

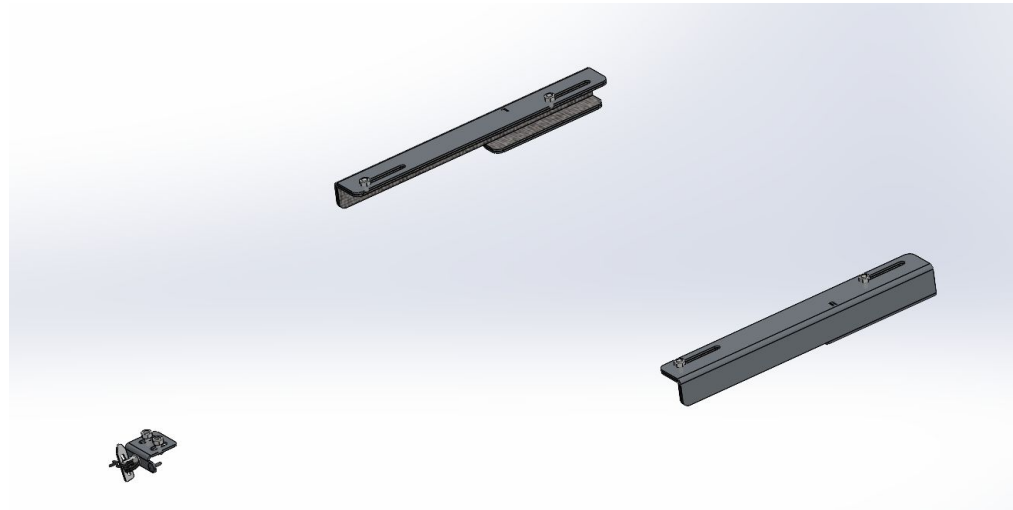
## Installation Instructions

---

2

Fitting the table brackets - Fit the table brackets to the aluminium nut slot extrusion as shown below. The distance between the internal faces of the brackets should be approximately 765mm to allow the table to slide into the brackets.

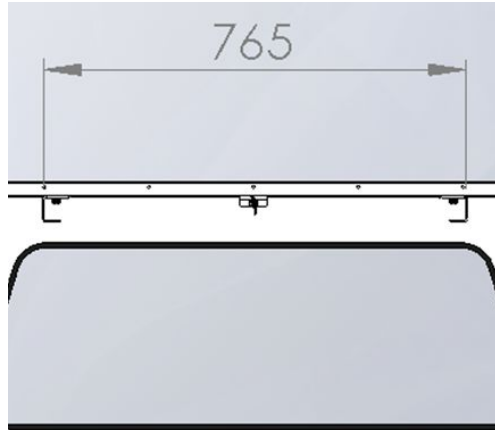
Please take note, the C2 Canopy Brackets is marked Left and Right. The off-centre flange needs to be towards the front of the vehicle.



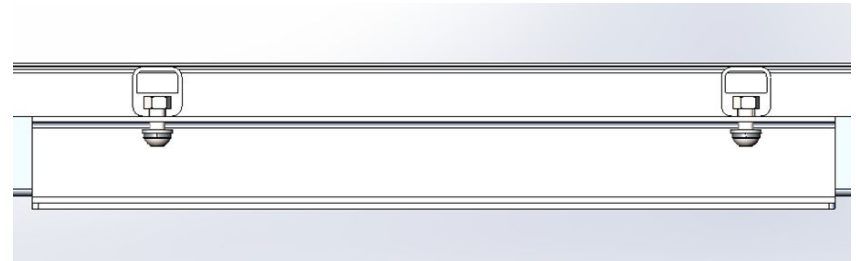
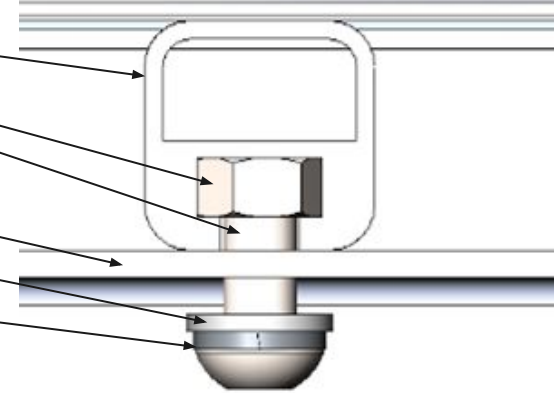
## Installation Instructions

2

Mount the 2x table slide brackets (Left and Right) across the first and second nut slots in the roof. Place the units 765mm apart.



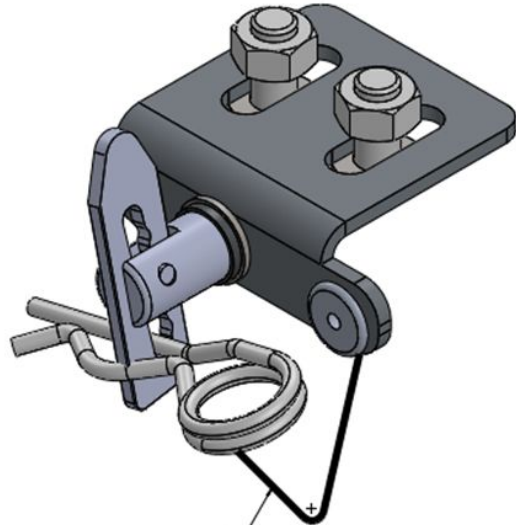
- Nut slot extrusion
- M8 Hex nut
- M8x16 Button Head Screw
- Table bracket
- M8 Flat Washer
- M8 Spring Washer



## Installation Instructions

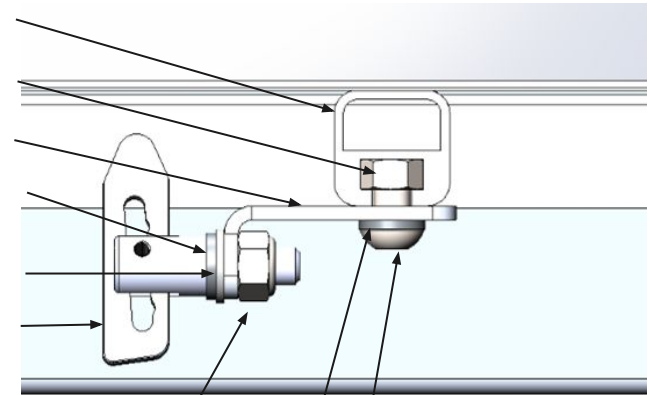
2.1

Mount the table slide locking plate on the forth nut slots in the roof.



ATTACH R CLIP TO BRACKET  
WITH WIRE CABLE BY USING RIVET

- Nut Slot Extrusion
- M8 Hex Nut
- Anti-Luce Bracket
- M8 Spring Washer
- M8 Flat Washer
- M8 Anti-Luce



- M8 Nyloc Nut
- M8 Spring Washer
- M8 Button Head

## Installation Instructions

---

2.2

Slide the table into the rear slide brackets, lift and lock in place with Anti-luce fastener,





# Disclaimer

---

All rights reserved. No part of this website may be reproduced, translated, stored in a retrieval system, or transmitted, in any form or by any means, electronic, mechanical, photocopying, recording or otherwise, without prior written permission of the owner.

## **Review all instructions information carefully before installation.**

Any damages, direct or incidental to the installer and/or property due to incorrect installation of any parts are the responsibility of the installer. Due to the various applications and fitment options available, the responsibility lies with the user to ensure all mounting points are secure and tight before every trip.

If unsure, consult with your Distributor regarding the operations of our products.

Users are advised to be mindful of the load they are carrying and drive in accordance with road conditions.

## **WARNING**

Always wear appropriate PPE (Personal protection equipment) when fitting our products. Although the mounting kit is designed to be DIY, if you have any doubts or concerns, contact an accredited fitment centre to carry out the work. Alu-Cab will not be liable for any injury to persons, and/or damage to products and/or vehicles.

While Alu-Cab Holdings takes reasonable measures to ensure that the contents of this Website are accurate and complete, Alu-Cab Holdings makes no representations or warranties, whether express or implied, as to the quality, timeliness, operation, integrity, availability or functionality of this Website or as to the accuracy, completeness or reliability of any information on this Website. Alu-Cab Holdings reserves the right to make changes, corrections and/or improvements to the information and to the products and programs described in such information, at any time without notice.

Alu-Cab Holdings will use reasonable endeavours to maintain the availability of the Website, except during scheduled maintenance periods, and reserves the right to discontinue providing the Website or the service or any part thereof with or without notice to you. Any person who accesses this Website or relies on this Website or on the information contained in this Website does so at his or her own risk.

Occasionally, at our discretion, we may include or offer third-party products or services on our website. These third-party sites have separate and independent privacy policies. We therefore have no responsibility or liability for the content and activities of these linked sites. Nonetheless, we seek to protect the integrity of our site and welcome any feedback about these sites.