

**ACU-CAB**<sup>TM</sup>

**ULTIMATE OVERLAND PRODUCTS**

**FITMENT INSTRUCTIONS**

**3KG GAS BOTTLE HOLDER**

# Installation Instructions

---

## Preliminary information

Installation and fitment instructions includes the tools required, fasteners included in the kit, and the hardware included in the kit.

Please follow the instructions and check installation steps with the images in this document.



Service Enquiries email  
[queries@alu-cab.com](mailto:queries@alu-cab.com)

# Installation Instructions

Tools, Fasteners & Hardware

1.1

## Tools & Items Required

13mm Ring Spanner/Socket
5mm Allen Key

1.2

## Fasteners Supplied (included with Gas Bottle Holder)

NUT CAP-06mm	4
M6x40 B/HD BOLT S/S	2
M6x18mm OVERSIZED WASHER S/S - DIN 9021	8
M6 NYLOC NUT S/S	4
M6x20 B/HD BOLT S/S	4
M6X70 B/HD BOLT S/S	2

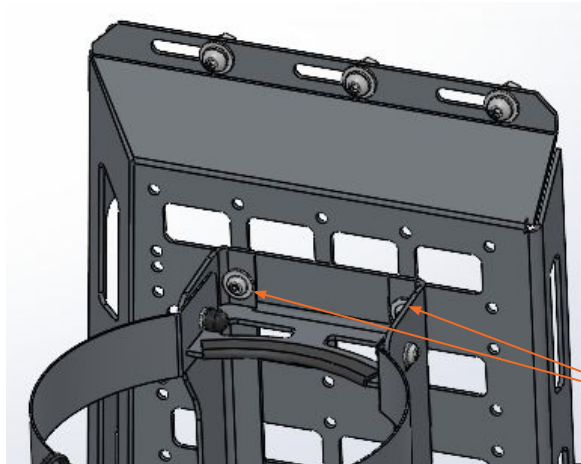
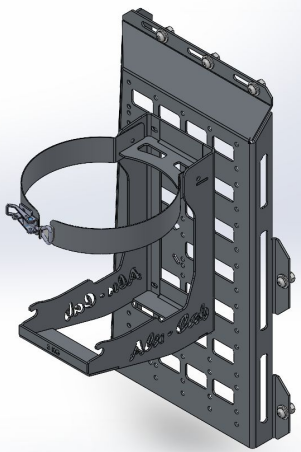
## Installation Instructions

STEP  
1

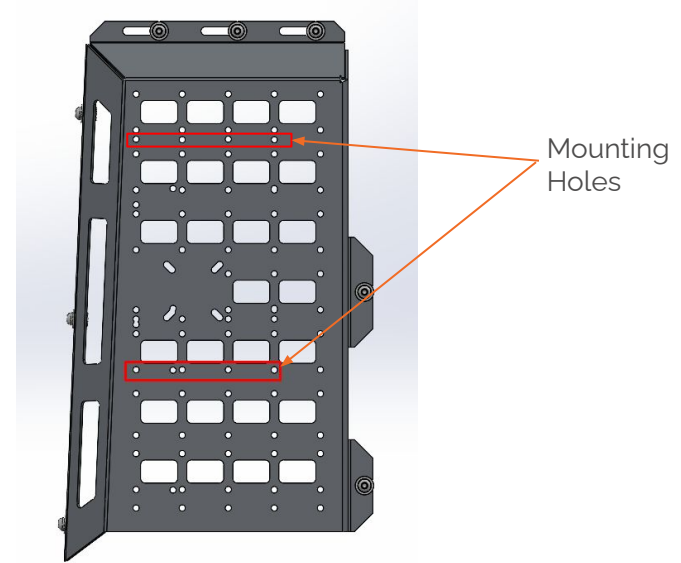
If you have the Molle plate mounted to your vehicle already please remove it by loosening the bolts all around the perimeter.

STEP  
2

With the Molle plate removed locate the correct holes for mounting. Do this by placing the gas bottle holder over the Molle Plate and shifting it around until all four holes line up. Slide four off the M6x20 Buttonhead Bolts and oversize flat washers through the mounting holes on the Gas Bottle Holder



M8x20 Buttonhead  
Bolts and Oversize  
Washers Fitted



Mounting  
Holes

## Installation Instructions

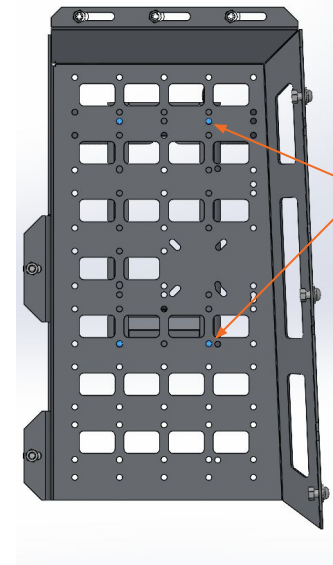
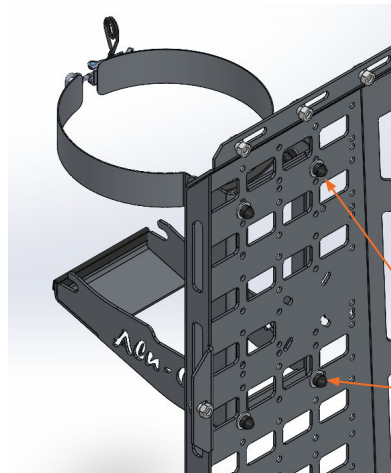
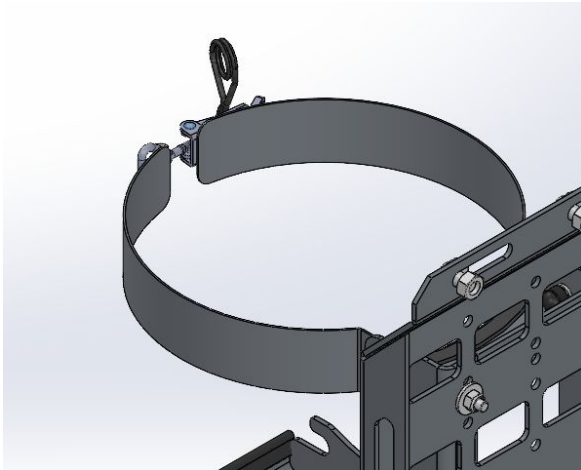
STEP  
3

With the bolts poking out through the back of the molle plate place the next set of the oversized flat washers on the bolts. Place the Nylock nuts over that and start tightening them down. Before fully tightening the nylock nuts down ensure the gas bottle holder is vertically aligned with the molle plate.

STEP  
4

Fit the nut caps over the nylock nuts and remount the Molle Plate.

Congrats you are all done!



Bolts poking through the molle plate (inside surface shown)

Fit Nut Caps to complete the installation

# Disclaimer

---

All rights reserved. No part of this website may be reproduced, translated, stored in a retrieval system, or transmitted, in any form or by any means, electronic, mechanical, photocopying, recording or otherwise, without prior written permission of the owner.

## **Review all instructions information carefully before installation.**

Any damages, direct or incidental to the installer and/or property due to incorrect installation of any parts are the responsibility of the installer. Due to the various applications and fitment options available, the responsibility lies with the user to ensure all mounting points are secure and tight before every trip.

If unsure, consult with your Distributor regarding the operations of our products.

Users are advised to be mindful of the load they are carrying and drive in accordance with road conditions.

## **WARNING**

Always wear appropriate PPE (Personal protection equipment) when fitting our products. Although the mounting kit is designed to be DIY, if you have any doubts or concerns, contact an accredited fitment centre to carry out the work. Alu-Cab will not be liable for any injury to persons, and/or damage to products and/or vehicles.

While Alu-Cab Holdings takes reasonable measures to ensure that the contents of this Website are accurate and complete, Alu-Cab Holdings makes no representations or warranties, whether express or implied, as to the quality, timeliness, operation, integrity, availability or functionality of this Website or as to the accuracy, completeness or reliability of any information on this Website. Alu-Cab Holdings reserves the right to make changes, corrections and/or improvements to the information and to the products and programs described in such information, at any time without notice.

Alu-Cab Holdings will use reasonable endeavours to maintain the availability of the Website, except during scheduled maintenance periods, and reserves the right to discontinue providing the Website or the service or any part thereof with or without notice to you. Any person who accesses this Website or relies on this Website or on the information contained in this Website does so at his or her own risk.

Occasionally, at our discretion, we may include or offer third-party products or services on our website. These third-party sites have separate and independent privacy policies. We therefore have no responsibility or liability for the content and activities of these linked sites. Nonetheless, we seek to protect the integrity of our site and welcome any feedback about these sites.