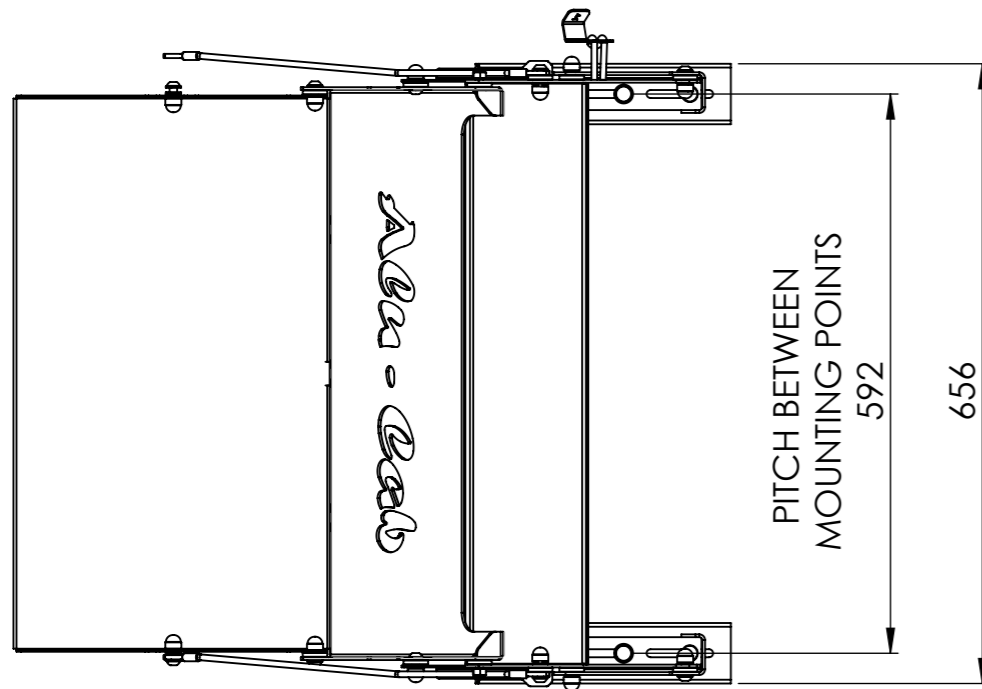
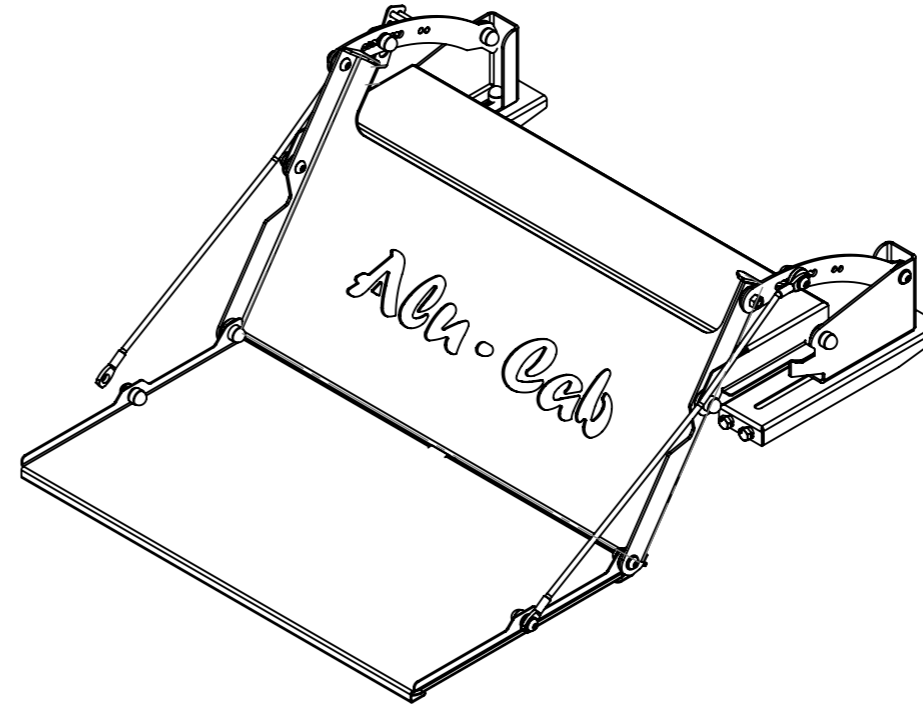
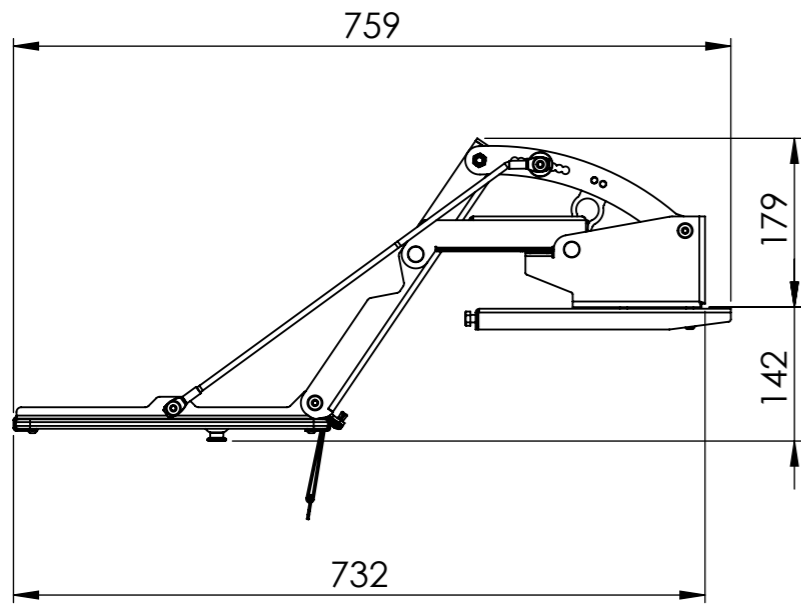


# OPENED CONFIGURATION

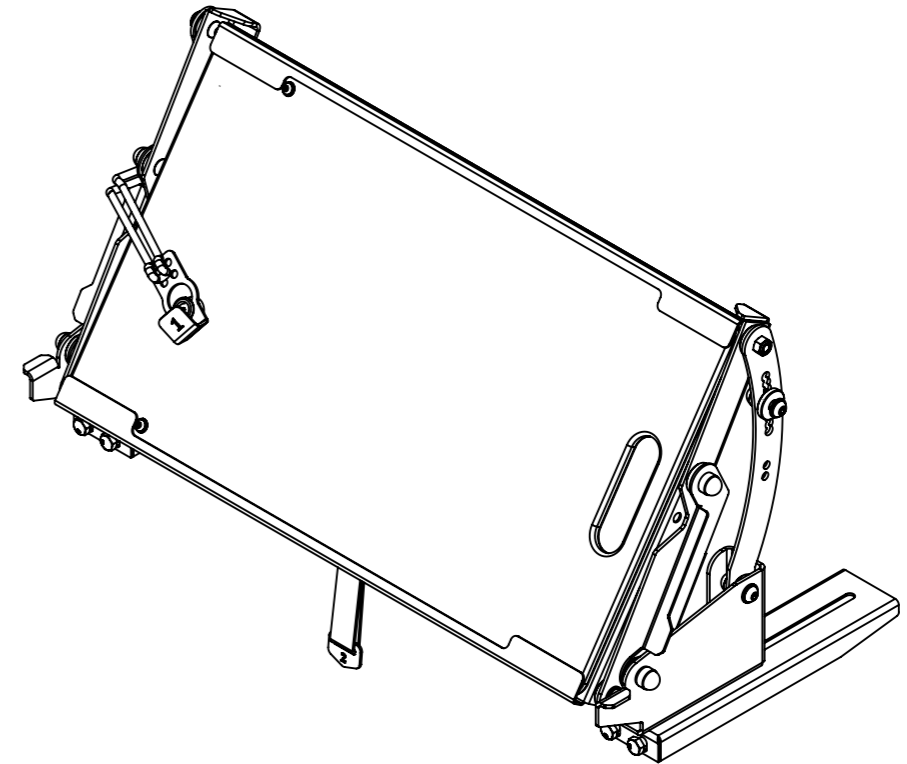
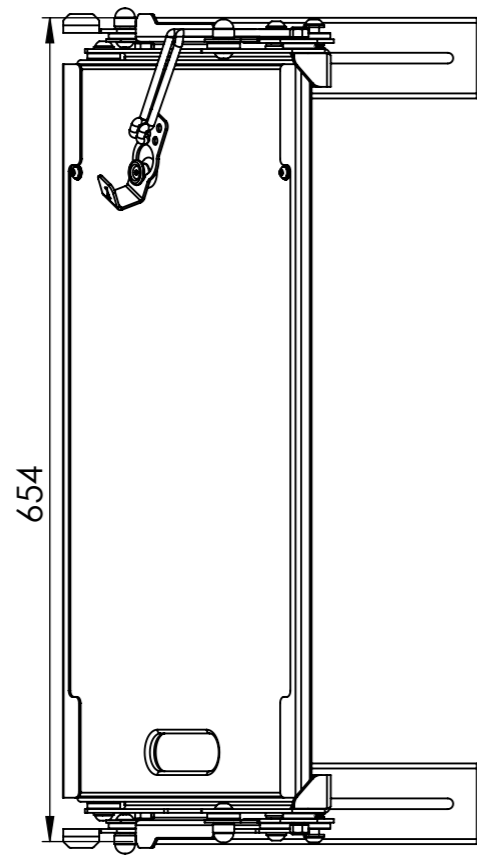
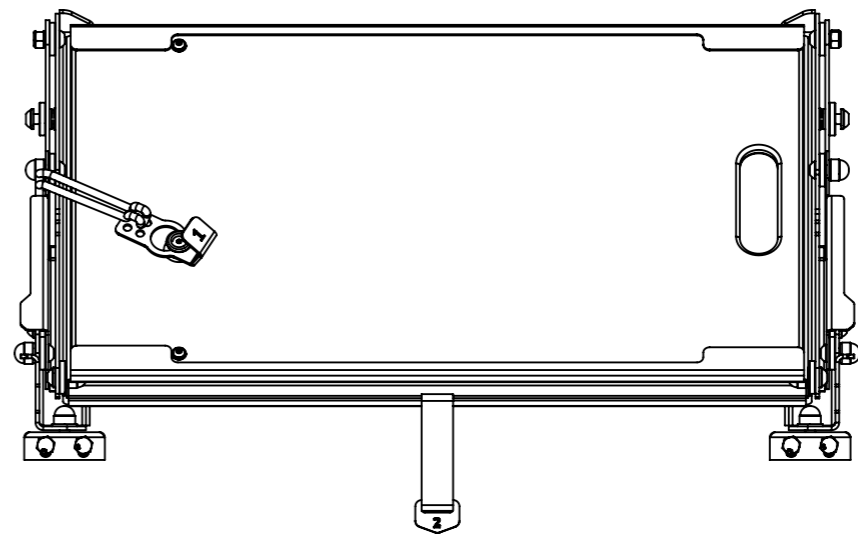
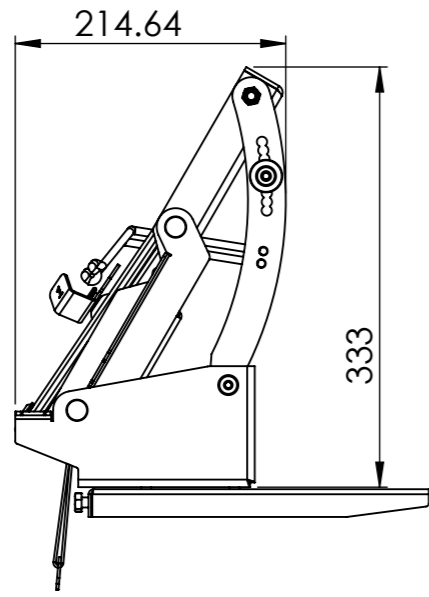


ASSY INFO	MASS (kg):	10.7
	BONDED:	
	FASTENED:	Y
FINISH	WELDED:	
	TUMBLED:	
	BRUSHED:	
	POWDER:	
	SPRAY:	
	COLOUR:	N/A

BOX TYPE	BX-WBK
ESTIMATED EXTERNAL BOX DIMENSIONS	896X196X416
INTERNAL BOX DIMENSIONS	880X180X400
BOXED WEIGHT	11.3kg
UNBOXED WEIGHT	10.7kg

<b>TOLERANCES TO ASSUME UNLESS INDICATED OTHERWISE</b>		<b>DESCRIPTION:</b> KITCHEN DROP DOWN TABLE UNBOXED ASSEMBLY		SHEET: A3	SHEET 1 of 2																														
<table border="1"> <thead> <tr> <th>NOM</th> <th>DIMENSION</th> <th>RANGE (mm)</th> <th>TOLERANCE</th> </tr> </thead> <tbody> <tr> <td>0.50</td> <td>-</td> <td>3.00</td> <td>± 0.10</td> </tr> <tr> <td>3.00</td> <td>-</td> <td>6.00</td> <td>± 0.15</td> </tr> <tr> <td>6.00</td> <td>-</td> <td>30</td> <td>± 0.20</td> </tr> <tr> <td>30</td> <td>-</td> <td>120</td> <td>± 0.30</td> </tr> <tr> <td>120</td> <td>-</td> <td>400</td> <td>± 0.50</td> </tr> <tr> <td>400</td> <td>-</td> <td>1000</td> <td>± 1.00</td> </tr> <tr> <td>1000</td> <td>-</td> <td>1000&lt;</td> <td>± 2.00</td> </tr> </tbody> </table>	NOM	DIMENSION	RANGE (mm)	TOLERANCE			0.50	-	3.00	± 0.10	3.00	-	6.00	± 0.15	6.00	-	30	± 0.20	30	-	120	± 0.30	120	-	400	± 0.50	400	-	1000	± 1.00	1000	-	1000<	± 2.00	<b>PROJECT:</b> C-A-FO-TBL
NOM	DIMENSION	RANGE (mm)	TOLERANCE																																
0.50	-	3.00	± 0.10																																
3.00	-	6.00	± 0.15																																
6.00	-	30	± 0.20																																
30	-	120	± 0.30																																
120	-	400	± 0.50																																
400	-	1000	± 1.00																																
1000	-	1000<	± 2.00																																
<b>REVISIONS</b>		DRAWN BY: Luke Miller		DATE: 2023-07-11		DRAWING NO. C-A-FO-TBL-GA																													
<table border="1"> <thead> <tr> <th>REV.</th> <th>DESCRIPTION</th> <th>DATE</th> <th>APPROVED</th> </tr> </thead> <tbody> <tr> <td>00</td> <td>RELEASED FOR PRODUCTION</td> <td>2023-07-18</td> <td>System Administrator</td> </tr> <tr> <td>01</td> <td></td> <td>2023-08-11</td> <td>System Administrator</td> </tr> </tbody> </table>	REV.	DESCRIPTION	DATE	APPROVED	00		RELEASED FOR PRODUCTION	2023-07-18	System Administrator	01		2023-08-11	System Administrator	THE INFORMATION CONTAINED WITHIN THIS DOCUMENT IS THE INTELLECTUAL PROPERTY OF ALU-CAB (PTY) LTD		REV 01																			
REV.	DESCRIPTION	DATE	APPROVED																																
00	RELEASED FOR PRODUCTION	2023-07-18	System Administrator																																
01		2023-08-11	System Administrator																																

# CLOSED CONFIGURATION



ASSY INFO	MASS (kg):	10.7
	BONDED:	
	FASTENED:	Y
FINISH	WELDED:	
	TUMBLED:	
	BRUSHED:	
	POWDER:	
	SPRAY:	
	COLOUR:	N/A

TOLERANCES TO ASSUME UNLESS INDICATED OTHERWISE		
NOM DIMENSION	RANGE (mm)	TOLERANCE
0.50	- 3.00	± 0.10
3.00	- 6.00	± 0.15
6.00	- 30	± 0.20
30	- 120	± 0.30
120	- 400	± 0.50
400	- 1000	± 1.00
1000	- 1000<	± 2.00

DESCRIPTION:	KITCHEN DROP DOWN TABLE UNBOXED ASSEMBLY
PROJECT:	C-A-FO-TBL
DRAWN BY:	Luke Miller
DATE:	2023-07-11
THE INFORMATION CONTAINED WITHIN THIS DOCUMENT IS THE INTELLECTUAL PROPERTY OF ALU-CAB (PTY) LTD	

SHEET:	A3
SCALE:	1:6
SHEET 2 of 2	
DRAWING NO.	C-A-FO-TBL-GA



REV 01