

FITMENT INSTRUCTIONS

Alu-Cab™



Shower Cube to Load bars (SH-BKT-LB)

All rights reserved. No part of this document may be reproduced, translated, stored in a retrieval system, or transmitted, in any form or by any means, electronic, mechanical, photocopying, recording or otherwise, without prior written permission of the owner.

Review all instructions information carefully before installation.

Any damages, direct or incidental to the installer and/or property due to incorrect installation of any parts are the responsibility of the installer. Due to the various applications and fitment options available, the responsibility lies with the user to ensure all mounting points are secure and tight before every trip. If unsure, consult with your Distributor regarding the operations of our products.

Users are advised to be mindful of the load they are carrying and drive in accordance with road conditions.

DISCLAIMER

Alu-Cab

1. Shower Cubicle Fitment – Tools, Fasteners & Materials

The tables below show the equipment, i.e. tools and fasteners required to start the shower cubicle fitment onto a Icarus Tent.

1.1. Tools & Items Required:

| TOOLS |
|------------------------|
| Ratchet |
| 13mm Socket |
| 13mm Ring Flat Spanner |

1.2 Fasteners supplied: (Included with Shower Cubicle)

| ITEM | QTY |
|---------------------|-----|
| HEX HEAD BOLT M8X20 | 12 |
| M8 FLAT WASHER | 14 |
| M8 NYLOC NUT | 12 |
| M8 PLASTIC NUT CAP | 14 |

1.3 Hardware Required: (Included with Shower Cubical)

| ITEM | DESCRIPTION | QTY |
|---------------------------|--------------------------|-----|
| SHOWER CUBICLE | SHOWER CUBICLE ASSEMBLY | 1 |
| SHOWER CUBICLE BAG | BLACK SHOWER CUBICLE BAG | 1 |
| SHOWER CURTAIN | GREY SHOWER CURTAIN | 1 |
| AWNING MOUNTING BRACKET | AMB-000-001 Rev b | 2 |
| AWNING BRACKET BACK PLATE | AMB-000-002 | 2 |

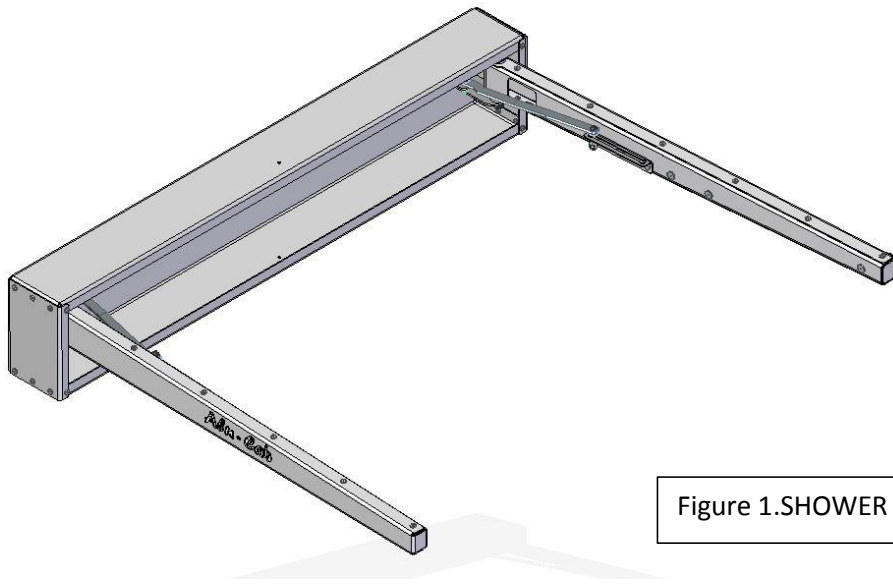
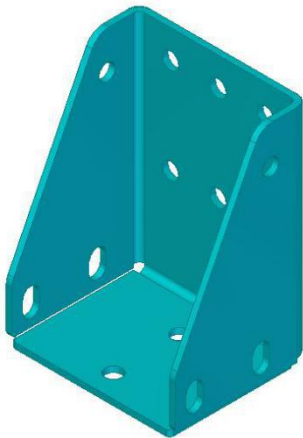
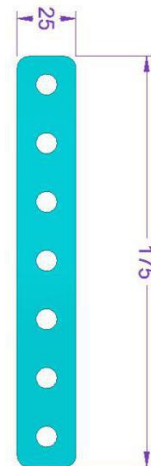


Figure 1.SHOWER CUBICLE



x2

Fig 2. AMB-000-001 Rev b



x2

Fig 3. AMB-000-002



WARNING

Always wear appropriate PPE (Personal protection equipment) when fitting this product. Although the mounting kit is designed to be DIY, if you have any doubts or concerns, contact an accredited fitment centre to carry out the work. Alu-Cab will not be liable for any injury to persons, and/or damage to products and/or vehicles.

2. Mounting the brackets to Load bar

Figure .4

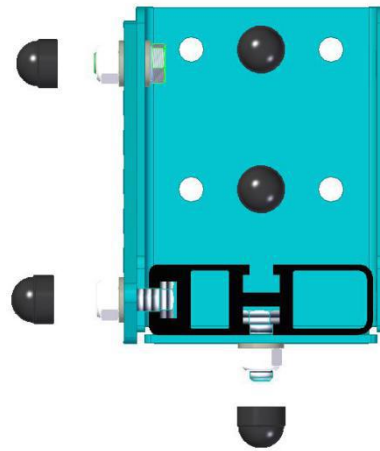
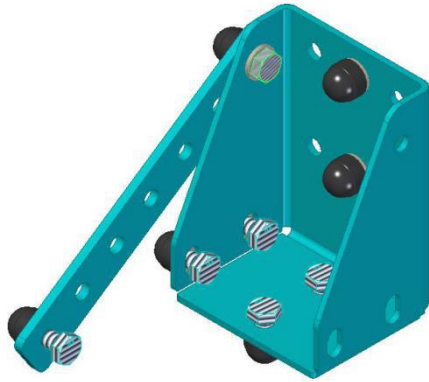


Figure5

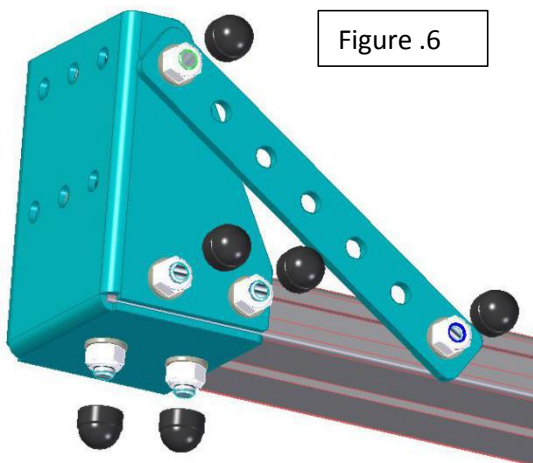


Figure .6

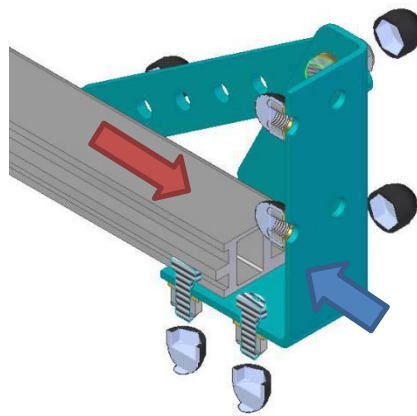


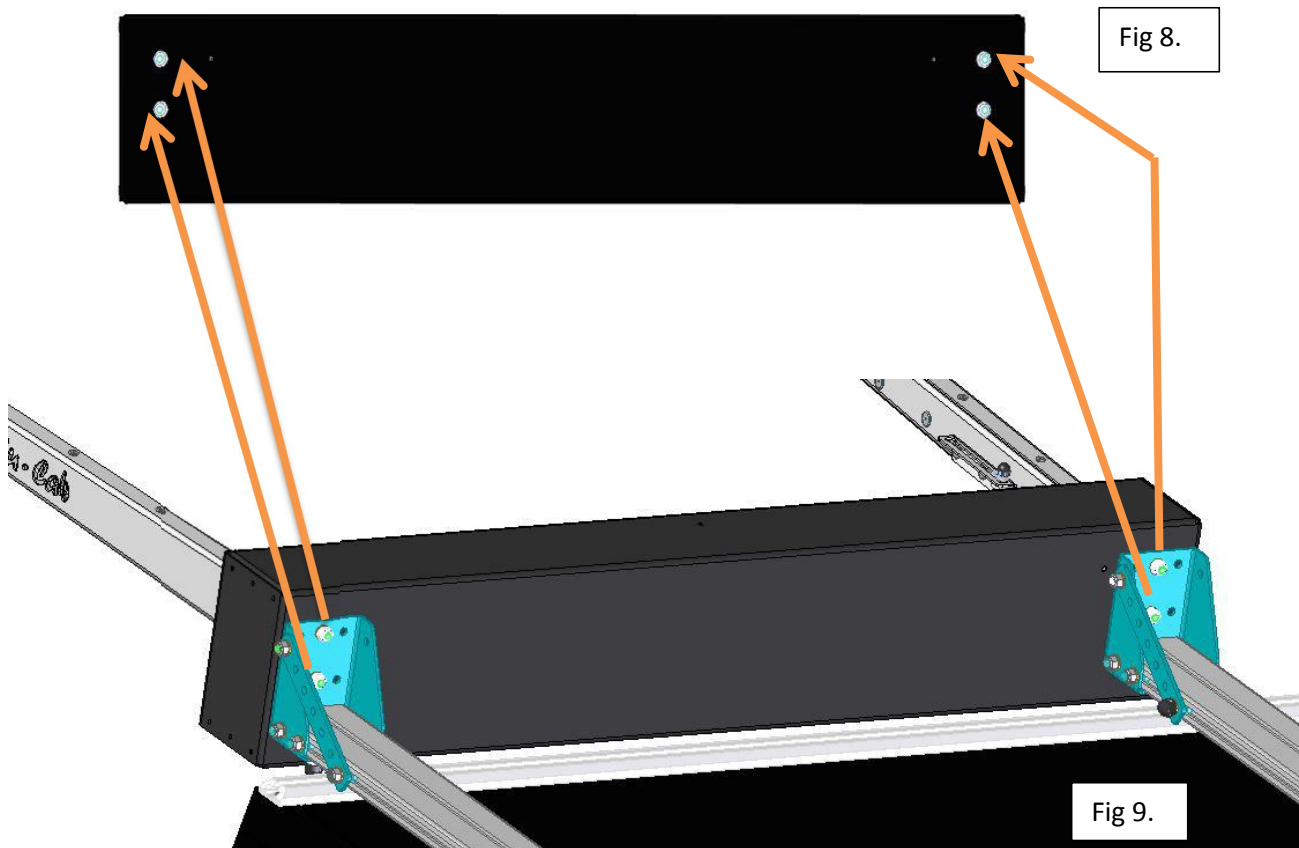
Figure 7.

Sectional view
mounting bracket
sliding onto load
bar.

fit all bolts, washers and nuts to the brackets before fitting them to the load bar, as it has to slide into the slots as seen in figures 4,5 and 6.

3. Mounting the shower cubicle

Place shower cubicle assembly with the bag on mounting brackets and secure shower cubicle to the mounting brackets using the same nuts that were removed in fig 8. t



Place M8 Plastic Nut Caps on all M8 Nyloc Nuts and bolt heads on the outside to finish of the mounting bracket fitment.