

# FITMENT INSTRUCTIONS

**Alu-Cab**<sup>™</sup>



## Canopy to suit Toyota Tacoma 2016 Fitment Instructions

All rights reserved. No part of this document may be reproduced, translated, stored in a retrieval system, or transmitted, in any form or by any means, electronic, mechanical, photocopying, recording or otherwise, without prior written permission of the owner.

Review all instructions information carefully before installation.

Any damages, direct or incidental to the installer and/or property due to incorrect installation of any parts are the responsibility of the installer. Due to the various applications and fitment options available, the responsibility lies with the user to ensure all mounting points are secure and tight before every trip. If unsure, consult with your Distributor regarding the operations of our products.

Users are advised to be mindful of the load they are carrying and drive in accordance with road conditions.

DISCLAIMER

**Alu-Cab**

# 1. Canopy Fitment – Tools, Fasteners & Materials

The tables below show the equipment, i.e. tools and fasteners required to start the canopy fitment for a Toyota Tacoma.

## 1.1. Tools & Item Required:

TOOLS	ITEM
Ratchet	Turpentine
Allen key	Cloth
13mm Socket	Black sealant, silicone or Sikaflex
13mm Ring Flat Spanner	Window Cleaner

## 1.2. Fasteners supplied: (Included with canopy)

ITEM	QTY
• M8x30mm Button head screw	12 off
• M8x20mm Hex Bolts	12 off
• M8 Spring Washer	12 off
• M8 Flat Washer	30 off
• M8 Nylock Nuts	12 off
• M8 Plastic Nut Caps	12 off

## 1.3. Hardware Required: (Included with canopy)

ITEM	QUANTITY
• TT-TOP-MNT-BRKT-01-00	6 off
• TT-VERT-MNT-BRKT-01-00	6 off
• TT-NUT-PLT-01-00	6 off
• TT-SPACER-PLT-01-00	6 off

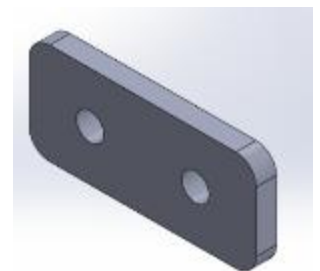
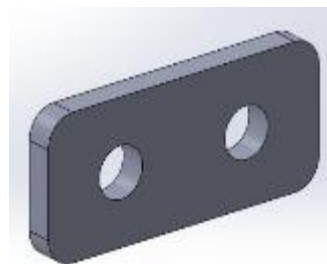
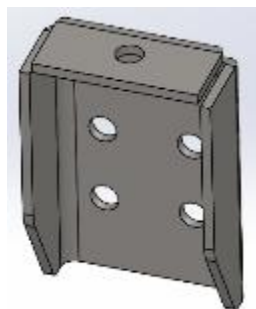
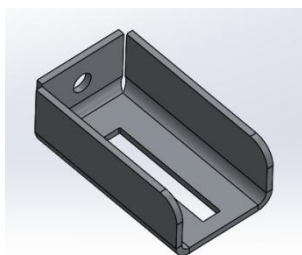


Fig 1: TT-TOP-MNT-BRKT-01-00

Fig 2: TT-VERT-MNT-BRKT-01-00

Fig 3: TT-SPACER-PLT-01-00

Fig 4: TT-NUT-PLT01-00

## 2. Mounting the canopy brackets to the load bin

The Tacoma canopy has six bracket kits (3 per side) which are fitted to the load bin. Figure 5 and 6 below shows a bracket kit assembly.

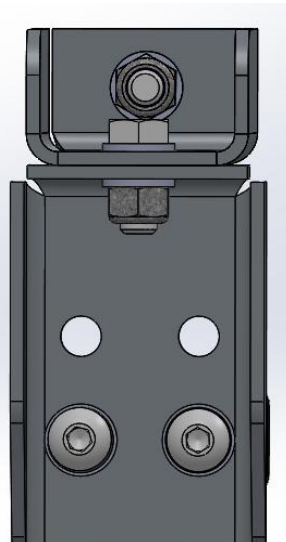
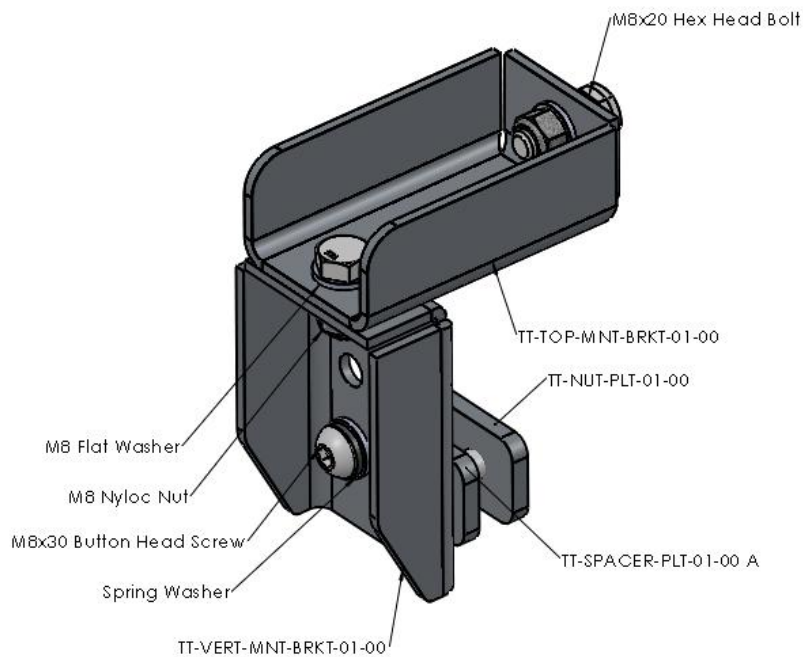


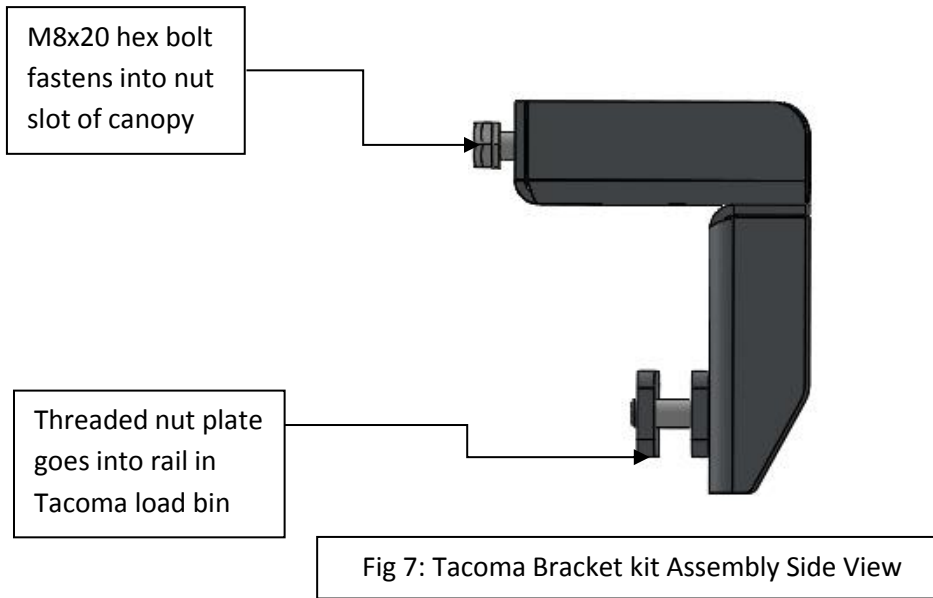
Fig 6: Tacoma Bracket kit Assembly Front View



### **WARNING**

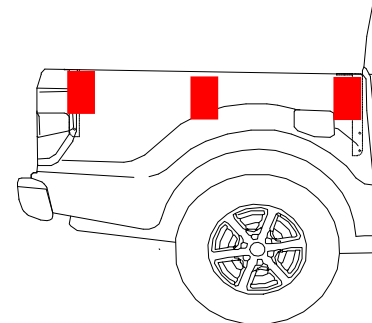
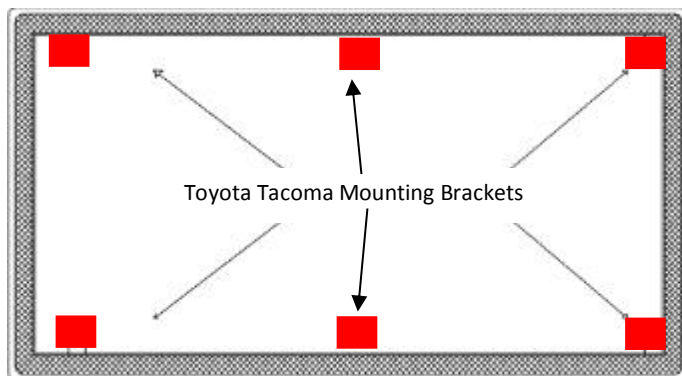
Always wear appropriate PPE ( Personal protection equipment) when fitting this product. Although the mounting kit is designed to be DIY, if you have any doubts or concerns, contact an accredited fitment centre to carry out the work. Alu-Cab will not be liable for any injury to persons, and/or damage to products and/or vehicles.

## 2.1. Mounting the Support Brackets to the Load Bin



### Positions of the bracket kits in the load bin

Figures 8 and 9 shows where the mounting brackets are fixed to the load bin.



### Bolting the brackets to the load bin

For each bracket assembly, first slide the threaded nut plate into the Toyota Tacoma load bin rail. TC-item 5x3ss will be sandwiched between TC-item 3x3ss and the load bin rail as a spacer if needed. TC-item 3x3ss will be bolted to the thread nut plate using the M8x30 Button head screws with M8 flat washers and M8 spring washers. TC-item 2x3ss bolts to bracket TC-item 3x3ss and the nut slot in the canopy frame to secure the canopy.

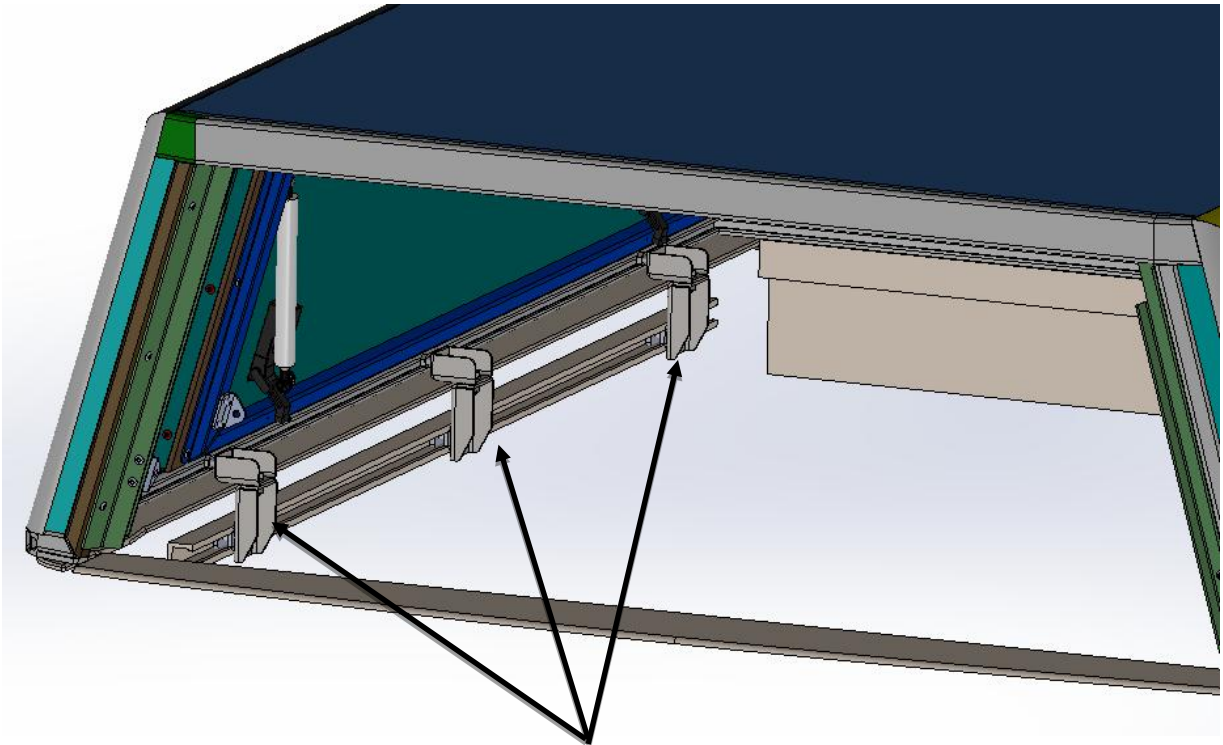


Fig 10: Tacoma Bracket kits



Fig 11: Photos of Bracket kit assembled in Tacoma Load Bin

### 3. Canopy Installation

Before placing the canopy onto the load bin, check that the D-Rubber is intact on the canopy. If this is not done, the canopy and/or load bin could be damaged or can cause leaks into the canopy.

To position the canopy, ensure that it is flush with the load bin on the inside.

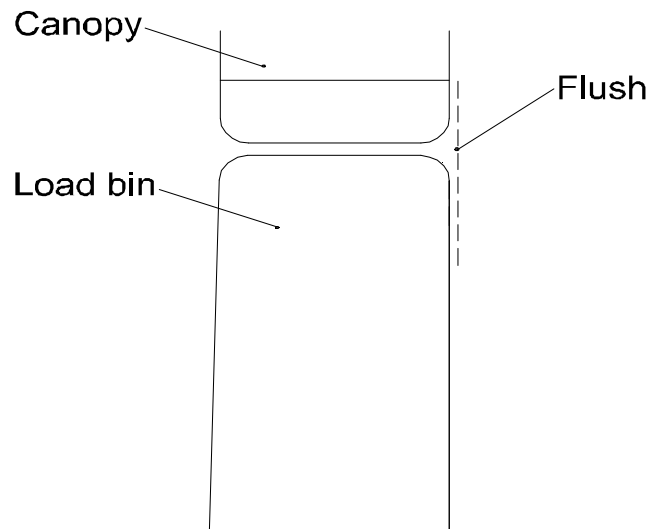


Figure 12: Canopy and Load Bin Alignment

#### 3.1 Canopy Fitment to Load bin

Keep all the doors of the canopy open besides the rear door when placing it onto the load bin. Check alignment before bolting down.